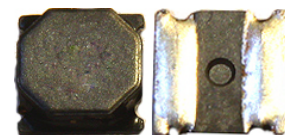


# LOW PROFILE SHIELDED SMD CHIP POWER INDUCTOR



4.0 x 4.0 x 1.0mm

ASPI-0410FS



RoHS/RoHS II Compliant

## FEATURES:

- Small size and low profile: 1.0mm
- Small DCR and high rated current
- High reliability to mechanical stress
- Magnetically shielded by magnetic powder molding
- Suitable for RoHS reflow profile

## APPLICATIONS:

- Mobile phones
- MP3 & 4 and other portable communication equipment
- Digital cameras.

## ELECTRICAL SPECIFICATIONS:

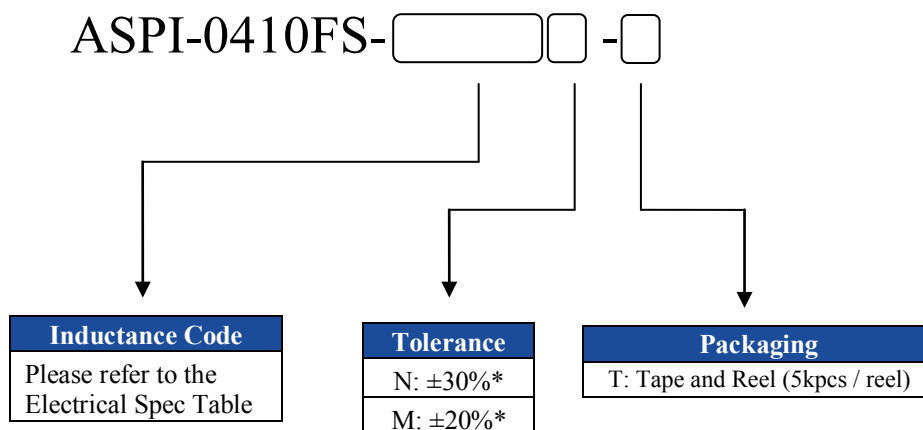
Abrakon P/N:	ASPI-0410FS Series
Operating Temperature & Humidity	-40°C to +125°C (Including self generated heat)
Storage Temperature and Humidity in Tape and Reel	-40°C to +125°C

Part Number ASPI-0410FS- Inductance Code	Inductance	Inductance Tolerance	DCR max	Rated DC Current max.
Units	μH	%	mΩ	A
Symbol	L	M	DCR	IDC
ASPI-0410FS-1R0	1.0	N	100	1.80
ASPI-0410FS-2R2	2.2	N	150	1.15
ASPI-0410FS-3R3	3.3	M	180	1.10
ASPI-0410FS-4R7	4.7	M	210	0.90
ASPI-0410FS-6R8	6.8	M	300	0.74
ASPI-0410FS-100	10	M	380	0.56
ASPI-0410FS-150	15	M	510	0.47
ASPI-0410FS-220	22	M	870	0.36

## Test Conditions and Equipments

1. Rated DC Current: The current when the inductance becomes 30% lower than its initial value.
2. L: HP4284A LCR meter, 100KHz, 0.25Vrms
3. DCR: milli-ohm meter

## PART IDENTIFICATIONS:

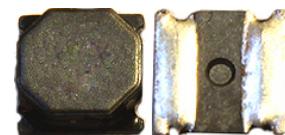


\*N for L = 1.0 and 2.2μH

\*M for L = 2.2 ~ 47μH

REVISED: 12.03.2019

# LOW PROFILE SHIELDED SMD CHIP POWER INDUCTOR

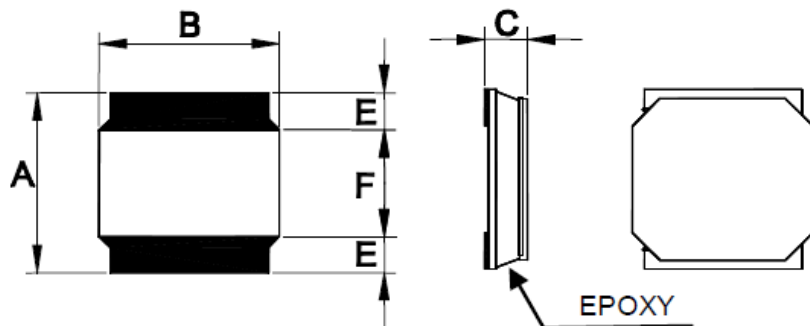


4.0 x 4.0 x 1.0mm

ASPI-0410FS

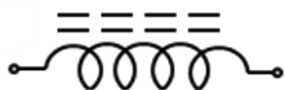
RoHS/RoHS II Compliant

## OUTLINE DIMENSION:



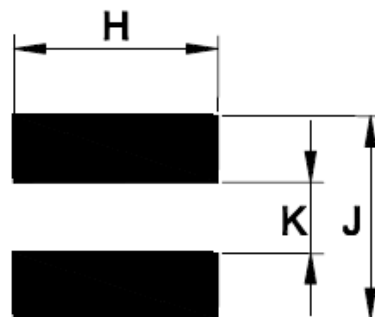
A	B	C max.	E	F
4.0±0.2	4.0±0.2	1.0	1.1±0.2	2.5±0.2

### Circuit Schematic



No Polarity

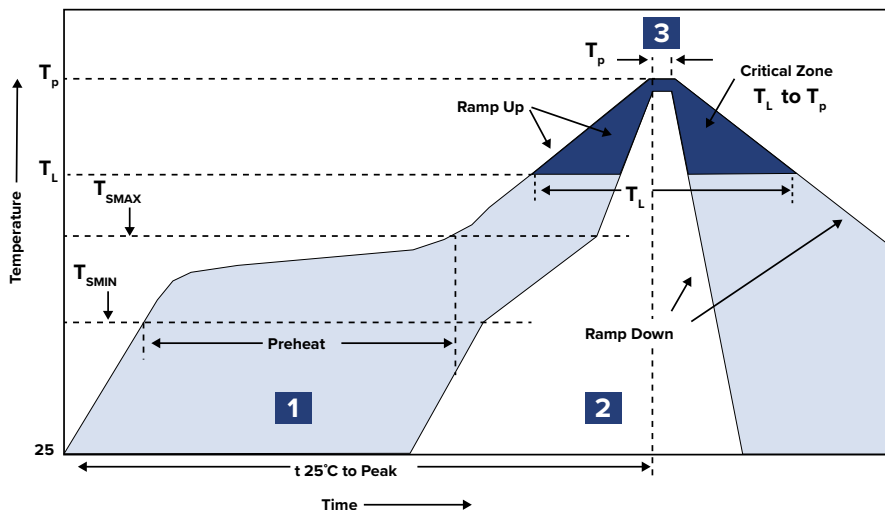
### Recommended Land Pattern



H	J	K
3.7	4.0	1.2

Dimension: mm

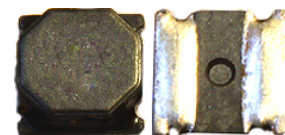
## REFLOW PROFILE:



Zone	Description	Temperature	Time
1	Preheat / Soak	$T_{S\text{MAX}}$ 150°C ~ 180°C	90 ~ 120 sec.
2	Reflow	$T_L$ 220°C	60 sec. MAX
3	Peak heat	$T_P$ 265°C	10 sec. MAX

REVISED: 12.03.2019

# LOW PROFILE SHIELDED SMD CHIP POWER INDUCTOR



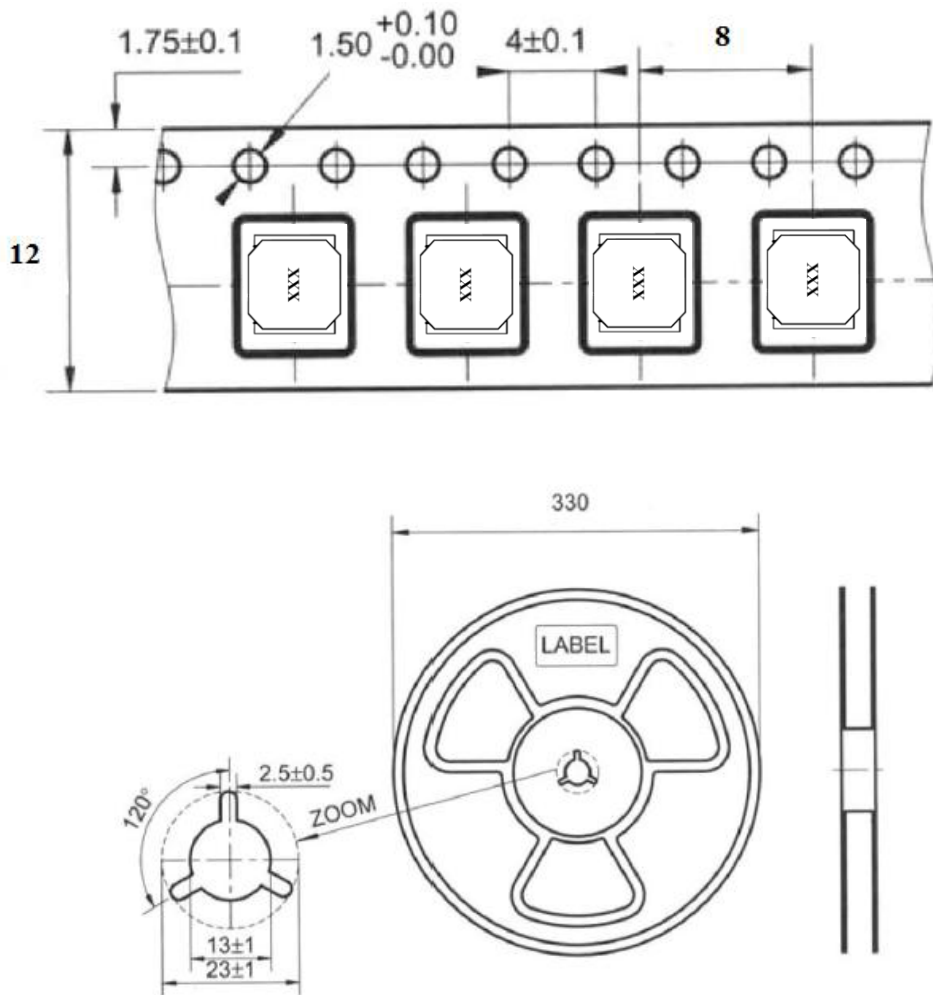
4.0 x 4.0 x 1.0mm

ASPI-0410FS

 RoHS/RoHS II Compliant

## TAPE & REEL:

T: 5,000pcs / reel



Dimension: mm

**ATTENTION:** Abracon LLC's products are COTS – Commercial-Off-The-Shelf products; suitable for Commercial, Industrial and, where designated, Automotive Applications. Abracon's products are not specifically designed for Military, Aviation, Aerospace, Life-dependent Medical applications or any application requiring high reliability where component failure could result in loss of life and/or property. For applications requiring high reliability and/or presenting an extreme operating environment, written consent and authorization from Abracon LLC is required. Please contact Abracon LLC for more information.



5101 Hidden Creek Lane Spicewood TX 78669  
Phone: 512-371-6159 | Fax: 512-351-8858  
For terms and conditions of sale please visit:  
[www.abracon.com](http://www.abracon.com)

REVISED: 12.03.2019

ABRACON IS  
ISO9001-2015  
CERTIFIED

# Mouser Electronics

Authorized Distributor

Click to View Pricing, Inventory, Delivery & Lifecycle Information:

## ABRACON:

[ASPI-0410FS-100M-T4](#) [ASPI-0410FS-220M-T4](#) [ASPI-0410FS-2R2M-T4](#) [ASPI-0410FS-330M-T4](#) [ASPI-0410FS-3R3M-T4](#) [ASPI-0410FS-470M-T4](#) [ASPI-0410FS-4R7M-T4](#) [ASPI-0410FS-6R8M-T4](#) [ASPI-0410FS-2R2M-T35](#) [ASPI-0410FS-470M-T35](#) [ASPI-0410FS-330M-T35](#) [ASPI-0410FS-3R3M-T35](#) [ASPI-0410FS-100M-T35](#) [ASPI-0410FS-220M-T35](#) [ASPI-0410FS-6R8M-T35](#) [ASPI-0410FS-4R7M-T35](#) [ASPI-0410FS-330M-T5](#) [ASPI-0410FS-6R8M-T](#) [ASPI-0410FS-4R7M-T](#) [ASPI-0410FS-3R3M-T](#) [ASPI-0410FS-330M-T](#) [ASPI-0410FS-470M-T](#) [ASPI-0410FS-1R0N-T](#) [ASPI-0410FS-2R2N-T](#) [ASPI-0410FS-2R2M-T](#)