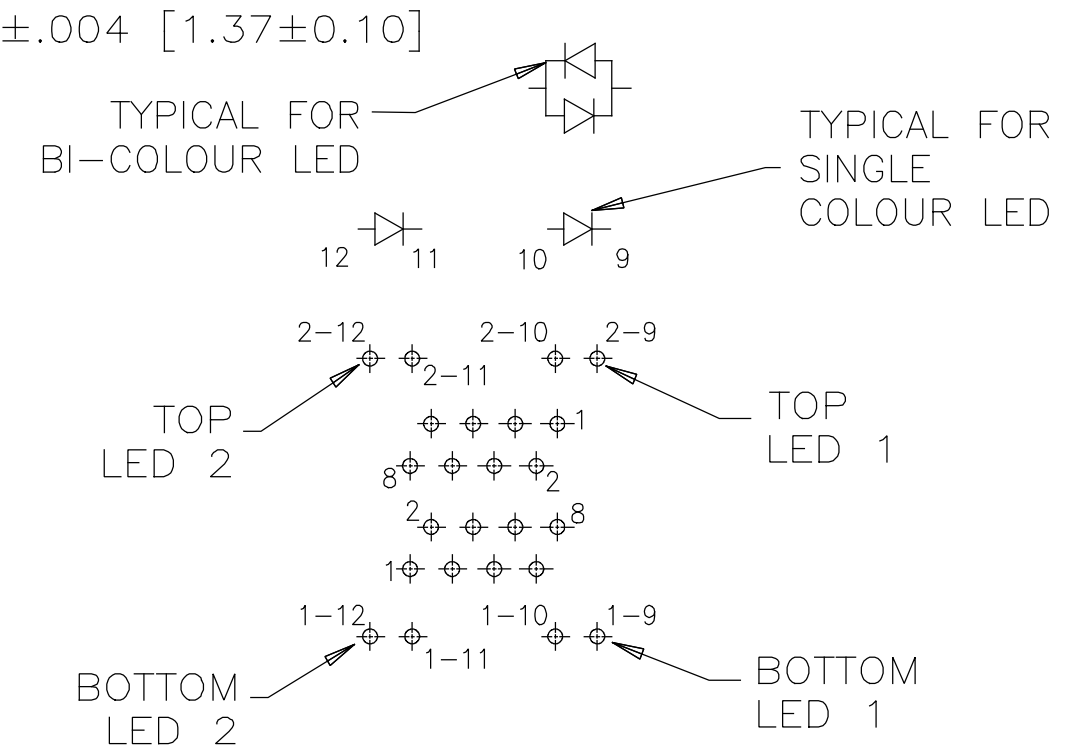
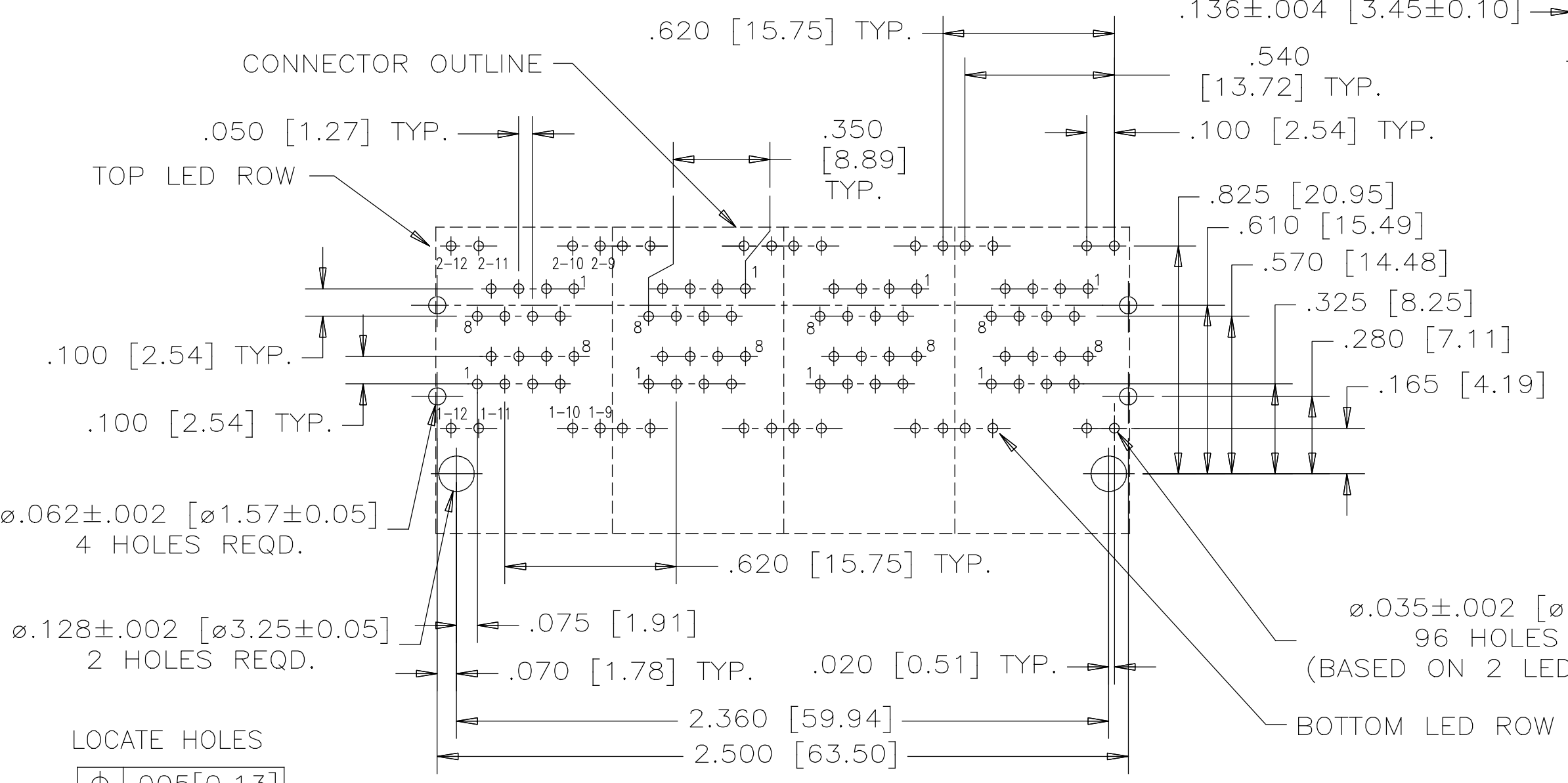
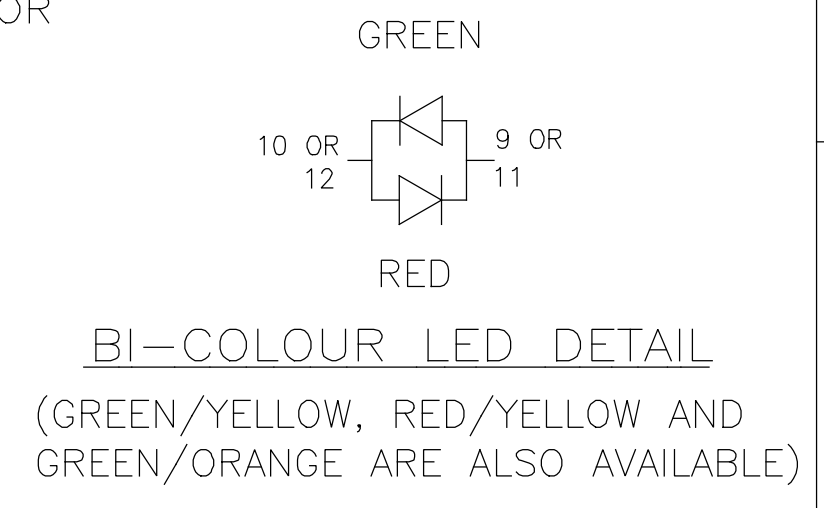
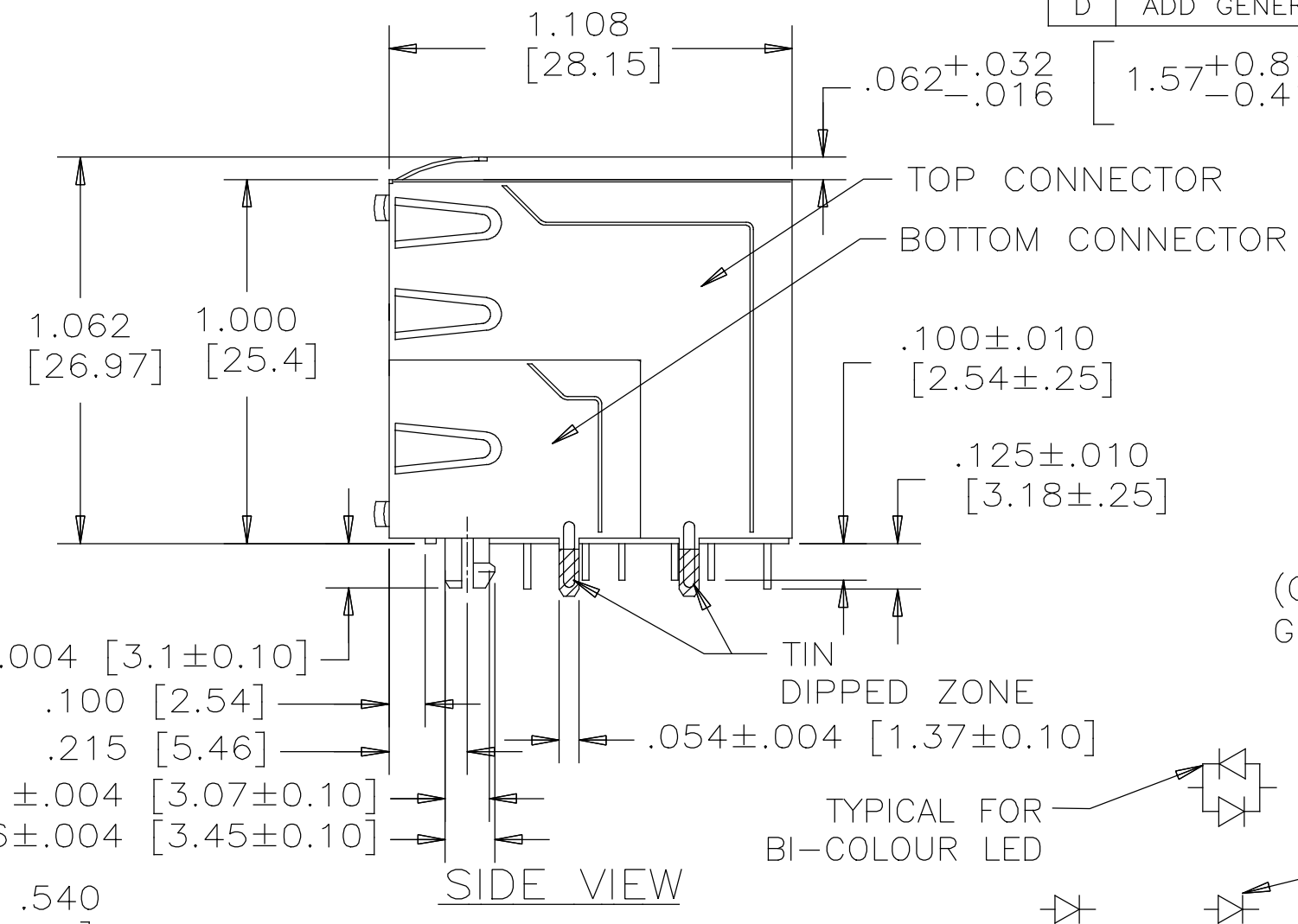
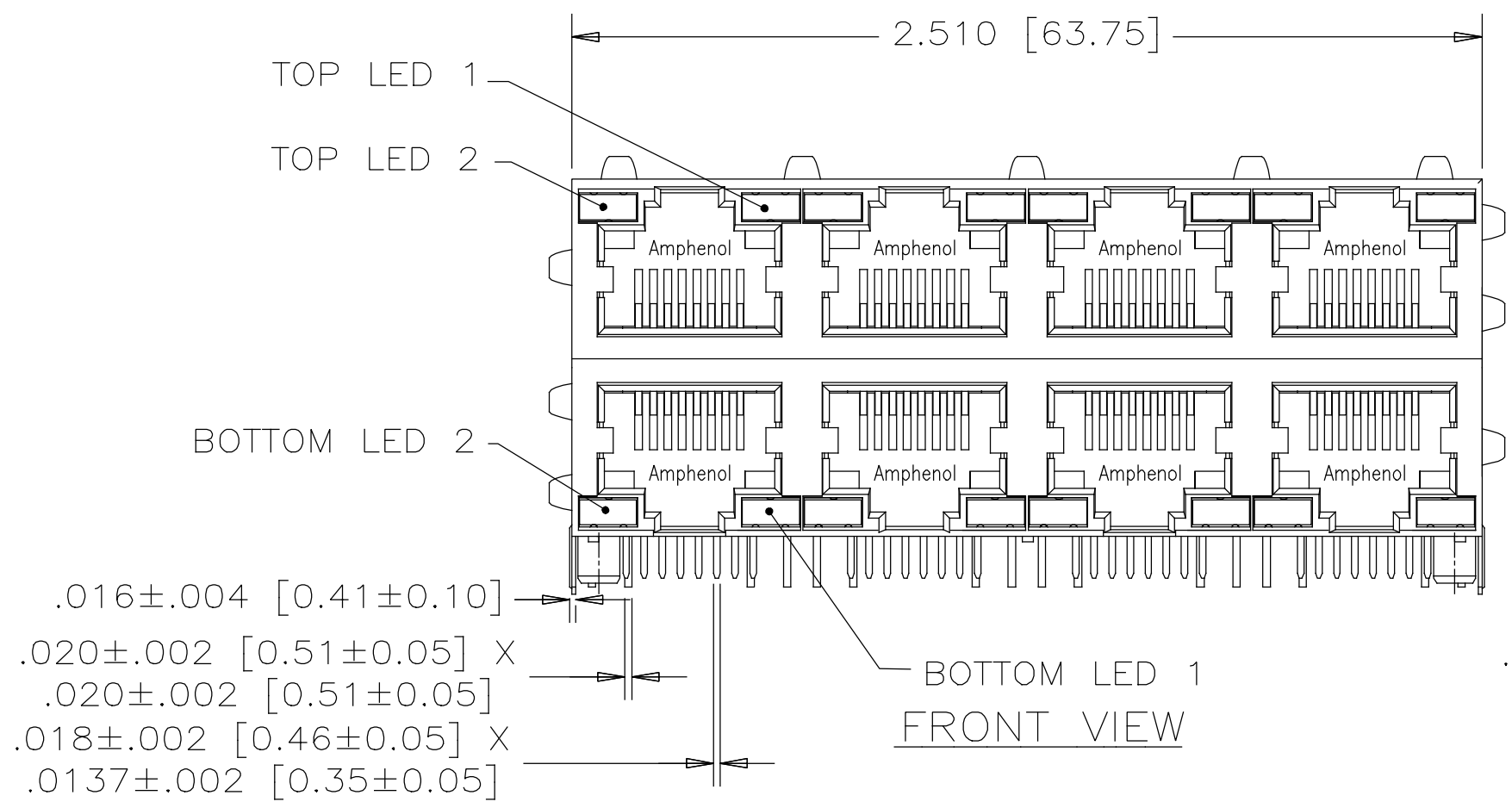


REVISIONS			
REV	DESCRIPTION, ECN, EAR NO.	DATE	APP'D
D	ADD GENERAL TOLERANCE	APR.4/14	L.CHAN



MATERIALS:

HOUSING: HIGH TEMPERATURE THERMOPLASTIC. FLAMMABILITY RATING UL 94V-0

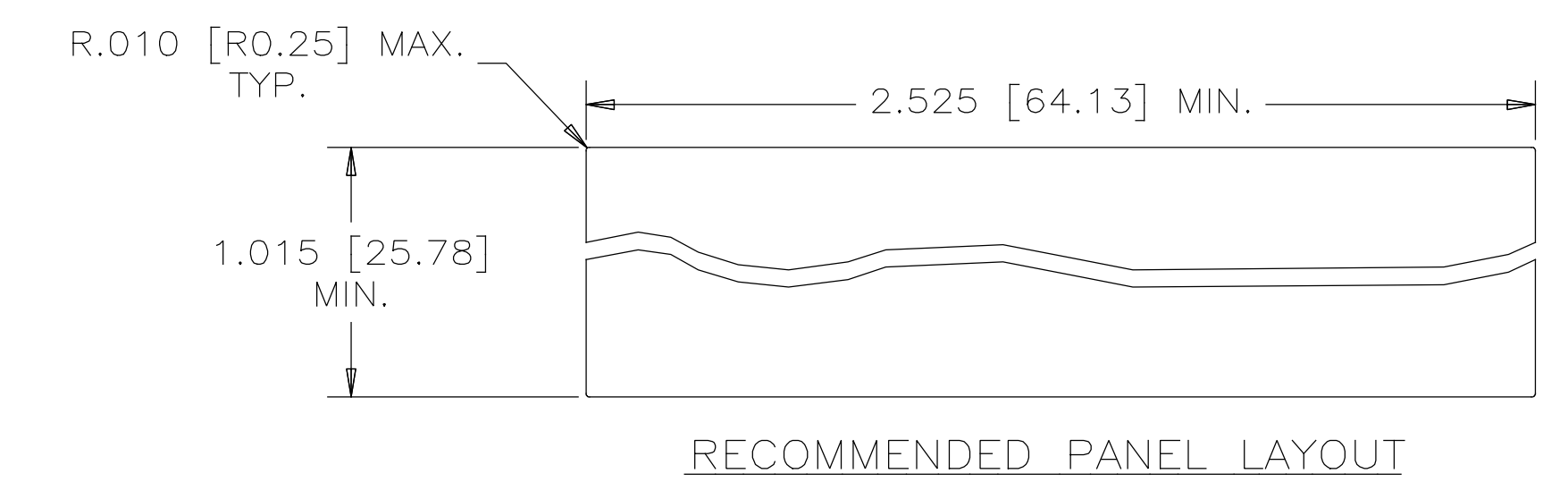
CONTACTS: PHOSPHOR BRONZE
PLATING: 50μ" [1.27 MICRONS] MIN. GOLD OVER MATING SURFACES.
50μ" [1.27 MICRONS] MIN. NICKEL UNDERPLATE.
100μ" [2.54 MICRONS] MIN. MATTE TIN OR GOLD FLASH ON CONTACT TAILS.

SHIELD: COPPER ALLOY
PLATING: NICKEL WITH TIN DIPPED PCB TAIL.

UNLESS OTHERWISE SPECIFIED, THE TOLERANCE IS ±0.015 [±0.38]

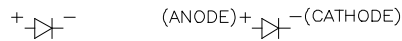
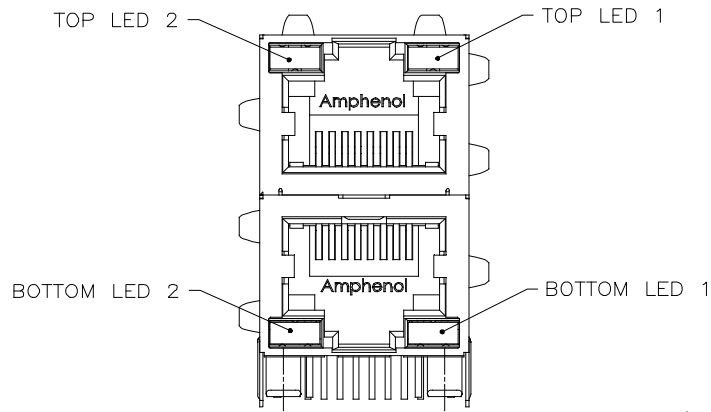
PART NUMBER: RJSAE-538X-08X

REFER TO LED OPTIONS DRAWING FOR ORDERING CODES



UNLESS SPECIFIED OTHERWISE	DRAWN G.HSIA	APR.4/14	Amphenol Canada Corp. www.amphenolcanada.com	
PRIMARY UNITS INCHES	CHECKED		STACKABLE MULTI-PORT MODULAR JACK, 8 POS. 8 CONTACTS, 2 LEDS PER PORT, SHIELDED- RoHS COMPLIANT	
SECONDARY MILLIMETERS	M.E. APP'D		DWG NO. P-RJSAE-538X-08X	
REFERENCE IN PARENTHESES	Q.A. APP'D		REV D	
1 DECIMAL PLACE	DWG APP'D L.CHAN	APR.4/14	CODE ID NO. 03554	DWG SIZE
2 DECIMAL PLACES	ENG. REL. NO.		SCALE	SHEET 1 OF 1
3 DECIMAL PLACES ±0.015	REF.			
ANGULAR DEGREES ±1.5°	THIRD ANGLE PROJECTION	DO NOT SCALE DRAWING		

THIS DOCUMENT CONTAINS PROPRIETARY INFORMATION AND SUCH INFORMATION MAY NOT BE DISCLOSED TO OTHERS FOR ANY PURPOSE OR USED FOR MANUFACTURING PURPOSES WITHOUT WRITTEN PERMISSION FROM AMPHENOL CANADA CORP.



REVISIONS				
SYM	ZONE	ECN, ERN NO.	DATE	APPRD.
H		PROPOSAL	JUL04/12	L.CHAN
J		PROPOSAL	MAR03/14	L.CHAN

EXAMPLE:1

PART NUMBER RJS AE-***X-**
 SEE NOTE 2 → LED COLOR CODE

EXAMPLE:2

PART NUMBER RJS AE-***U-**-XX
 SEE NOTE 2 → SPECIAL CODE FOR TOP & BOTTOM LEDS CONFIGURATION
 SEE NOTE 2 → BOTTOM ASSY LED (SAME AS STD CODE)
 SEE NOTE 2 → TOP ASSY LED (SAME AS STD CODE)

CODE	LED 2 (LEFT)	LED 1 (RIGHT)	CODE	LED 2 (LEFT)	LED 1 (RIGHT)	CODE	LED 2 (LEFT)	LED 1 (RIGHT)
0	BLOCKED	BLOCKED	9	GREEN	BLOCKED	J	BiC RD/GR	YELLOW
1	YELLOW	GREEN	A	BiC GR/YE	BiC GR/YE	K	YELLOW	BiC GR/OR
2	BLOCKED	GREEN	B	BiC RD/GR	BiC RD/GR	L	BiC GR/YE	RED
3	YELLOW	BLOCKED	C	BiC RD/GR	BiC GR/YE	M	RED	YELLOW
4	GREEN	YELLOW	D	GREEN	BiC GR/YE	N	BiC GR/RD	BiC GR/YE
5	GREEN	GREEN	E	YELLOW	BiC GR/YE	P	GREEN	BiC RD/GR
6	YELLOW	YELLOW	F	BiC GR/YE	YELLOW	R	BiC GR/OR	GREEN
7	RED	GREEN	G	BiC GR/OR	BiC GR/OR	T	RED	RED
8	GREEN	RED	H	BiC GR/YE	GREEN	V	BiC RD/GR	GREEN
						W	ADDITIONAL OPTIONS	
						U	SPECIAL CODE FOR TOP & BOTTOM LEDS CONFIGURATION	

EXAMPLE:3

PART NUMBER RJS AE-***W-***X
 SEE NOTE 2 → ADDITIONAL LED COLOR CODE
 SEE NOTE 2 → DENOTES ADDITIONAL LED OPTIONS TO BE USED

CODE	LED 2 (LEFT)	LED 1 (RIGHT)	CODE	LED 2 (LEFT)	LED 1 (RIGHT)	CODE	LED 2 (LEFT)	LED 1 (RIGHT)
0	DO NOT USE		5	BLOCKED	YELLOW	A	LOWC YE	LOWC YE
1	RED	BLOCKED	6	RED	BiC RD/GR	B	LOWC YE	LOWC GR
2	BiC GR/OR	YELLOW	7			C	LOWC GR	LOWC YE
3	YELLOW	RED	8	BiC RD/GR	BLOCKED	D	LOWC GR	LOWC GR
4	BLOCKED	RED	9	BiC GR/YE	BLOCKED	M	LOWC RD	LOWC YE
						N	GREEN	BiC GR/OR
						E	GREEN	ORANGE
						F	ORANGE	GREEN
						G	BiC YE/GR	BiC YE/GR
						P	BiC RD/YE	GREEN
						R	BiC RD/YE	BiC RD/YE
						T	BiC GR/YE	BiC RD/GR

EXAMPLE:4

PART NUMBER RJS AE-***X-***X*
 SEE NOTE 2 → LED COLOR CODE THE SAME AS EXAMPLE 1, 2, 3
 SEE NOTE 2 → LED COLOR CODE THE SAME AS EXAMPLE 1, 2, 3
 SEE NOTE 2

LED SPECIFICATIONS:

FORWARD VOLTAGE: 2.1 VOLTS TYP.
 REVERSE VOLTAGE: 5.0 VOLTS MIN.
 LUMINOUS INTENSITY: 0.5 mCd MIN.
 (AT If=2mA)
 STORAGE TEMPERATURE: -20° TO 85° C
 PLATING ON TAILS: TIN OR TIN/COPPER ALLOY OVER SILVER

PRIMARY COLOR FOR BI-COLOR

LEDS IN STANDARD ANODE/CATHODE CONFIGURATION IS:
 RED-GREEN= RED
 RED-YELLOW= RED
 GREEN-YELLOW= GREEN
 GREEN-ORANGE= GREEN

LEGEND

BiC=BI-COLOR LED
 LOWC=LOW CURRENT LED
 YE=YELLOW
 GR=GREEN
 RD=RED
 OR=ORANGE



NOTES:

1. THE TWO DIGITS PRECEDING THE ADDITIONAL LED CODE MUST BE USED IN THE PART NUMBER, WHEN ORDERING ANY OF THE ADDITIONAL LED OPTIONS.
2. '*' REPRESENT DIFFERENT OPTION OF CONNECTOR, DETAIL OPTION PLEASE SEE RELEVANT CONNECTOR DRAWING.

DRAWN PAUL WANG	DATE 05/07/22
DESIGNED	
CHECKED TERRY	05/07/22
I. E. APPRD.	
Q. A. APPRD.	
DWG. APPRD.	
ENG. REL. NO.	
REF.	
DIMENSIONS ARE IN INCHES [mm]	CODE ID. NO. 03554

Amphenol Canada Corp.	
TITLE LED OPTIONS FOR RJS AE, MULTI-PORT CONNECTORS - RoHS COMPLIANT	
DWG	DRAWING NO. P-RJS AE-LEDS
REV.	J
SCALE	WT. _____ SURF. _____ SHEET 1 OF 1

THIS DOCUMENT CONTAINS PROPRIETARY INFORMATION AND SUCH INFORMATION MAY NOT BE DISCLOSED TO OTHERS FOR ANY PURPOSE OR USED FOR MANUFACTURING PURPOSES WITHOUT WRITTEN PERMISSION FROM AMPHENOL CANADA CORP.

Mouser Electronics

Authorized Distributor

Click to View Pricing, Inventory, Delivery & Lifecycle Information:

[Amphenol:](#)

[RJSAE-5380-08](#) [RJSAE-5381-08](#) [RJSAE-538A-08](#) [RJSAE-5382-08](#) [RJSAE-5387-08](#) [RJSAE-5385-08](#) [RJSAE-5384-08](#)