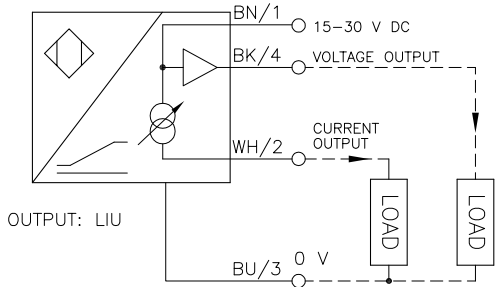
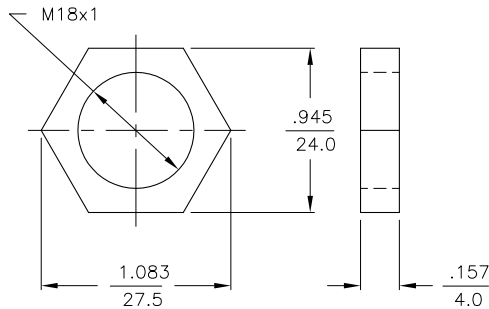


WIRING DIAGRAM

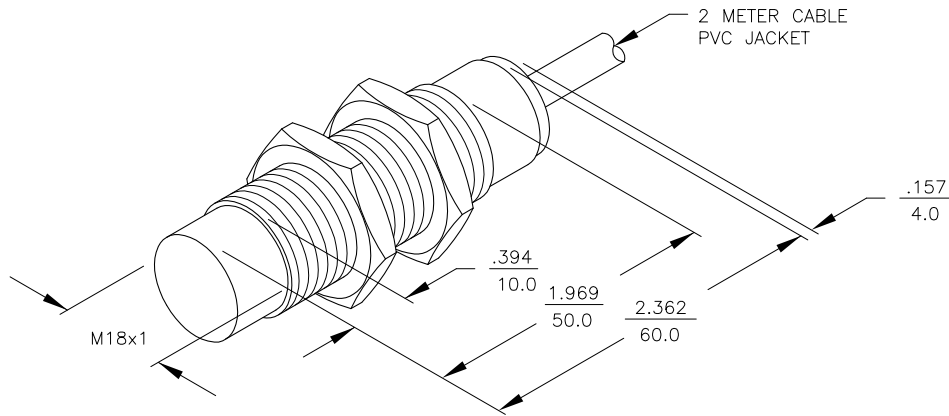


LOCKNUT LN-M18

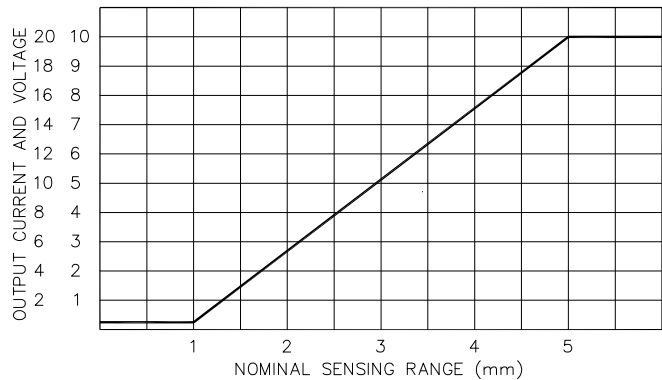


SPECIFICATIONS

OPERATING VOLTAGE	15-30 VDC
RIPPLE	≤ 10%
NO-LOAD CURRENT	≤ 8.0 mA
TARGET (MILD STEEL)	18 mm x 18 mm x 1
VOLTAGE OUTPUT	0-10 V/R _L ≥ 4.7 kΩ
CURRENT OUTPUT	0-20 mA/R _L ≤ 500Ω
LINEARITY TOLERANCE	±3% of FULL SCALE
TIME DELAY BEFORE AVAILABILITY	≤ 80 ms
REVERSE POLARITY PROTECTION	INCORPORATED
WIRE-BREAK PROTECTION	INCORPORATED
POWER-ON EFFECT PROTECTION	INCORPORATED
SHORT-CIRCUIT PROTECTED	YES
PROTECTION AGAINST TRANSIENTS	2 kV, 1ms, 1 kΩ
OPERATING TEMPERATURE	-10°C to +70°C (+14°F to +158°F)
ENCLOSURE	MEETS NEMA 1, 3, 4, 6, 13 AND IEC IP67
SHOCK	30 g, 11 ms
VIBRATION	55 Hz, 1 mm AMPLITUDE (IN ALL THREE PLANES)
SENSING RANGE (LINEAR PORTION)	1-5 mm = .039-.197"
REPEATABILITY	≤ 2% of FULL SCALE
EMBEDDABLE (SHIELDED)	NO
TEMPERATURE TOLERANCE	±5% of FULL SCALE
READING RATE FREQUENCY	200 Hz (10%-90% of FULL SCALE)



TYPICAL RESPONSE CURVE



RELATED DOCUMENTS 1. 2. 3. 4.	3RD ANGLE PROJECTION 	THIS DRAWING IS PROPERTY OF TURCK INC. USE OF THIS DOCUMENT WITHOUT WRITTEN PERMISSION IS PROHIBITED.		3000 CAMPUS DRIVE MINNEAPOLIS, MN 55441 1-800-544-7769 (763) 553-7300 (763) 553-0708 fax turck.com	
	MATERIAL BRASS BARREL END CAPS MADE OF ABS	ALL DIMENSIONS DISPLAYED ON THIS DRAWING ARE FOR REFERENCE ONLY	DRFT JMS DSGN	DATE 2/15/96 SCALE NONE	DESCRIPTION Ni8-M18-LIU
FINISH COPPER/NICKEL/ CHROME PLATING	CONTACT TURCK FOR MORE INFORMATION	UNIT OF MEASUREMENT INCH [MILLIMETER]		IDENTIFICATION NO. M1536100	REV B
DO NOT SCALE THIS DRAWING		FILE: M1536100		SHEET 1 OF 1	

B	UPDATE TO CURRENT TITLEBLOCK	RDS	07/17/02	5504
REV	DESCRIPTION	BY	DATE	ECO NO.