

8000 SERIES - MINI. MOMENTARY OR ALTERNATE ACTION PUSHBUTTON SWITCHES



FEATURES

- Single pole-double throw & double pole-double throw models.
- ON-MOM and ON-ON alternate actions .
- 1/4-40 and 15/32-32 threaded bushing options.
- Panel and p.c. mounting models with compact miniature case size.

SPECIFICATIONS

Contact ratings (resistive loads): Gold plated brass: 0.4 Volt-Amps max. at 20 V (AC or DC)
Silver: 3A 250VAC, 6A 125VAC or 4A 30VDC

Initial contact resistance: 10 milliohms maximum

Insulation resistance: 1000 megohms minimum at 500 VDC

Dielectric strength: 2000 V rms min. between terminals and frame. 1000 V rms between terminals.

Electrical life: 30,000 cycles minimum at full load.

Operating temperature range: -40°C to +85°C

Travel: Pre-travel - .086" (2.2mm) Over-travel - .019" (0.5mm)
Total-travel - .106" (2.7mm)

MATERIALS

Contacts & Terminals: Gold plated brass or gold plated silver

Actuator: Nickel plated brass

Bushing: Nickel plated brass

Housing: Stainless steel

Case: Diallyl phthalate

Terminal seal: Epoxy

Hardware: 1/4" threaded bushing models supplied with 2 Hex Nuts .314" (8mm) across flats, 1 Locking Ring & 1 Lockwasher. See hardware section of catalog.

AGENCY LISTINGS



To order switches marked UL, specify in approvals box of Order Format.

Solder lug terminals - 1/4" (6.35mm) bushing - silver contacts

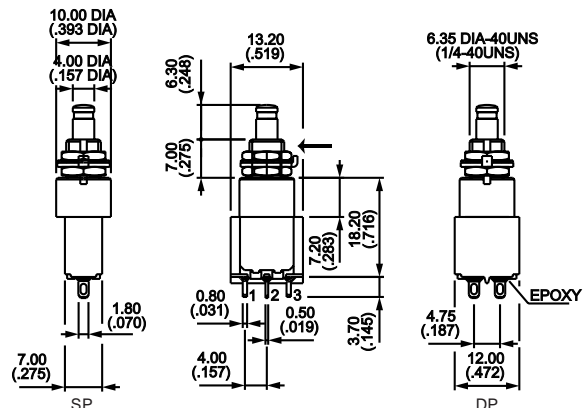


Note: Cap shown must be ordered separately.

SINGLE POLE		CIRCUIT	
MODEL NO.	ON	MOM	ON
8632AB	ON	MOM	
8636AB	ON	ON	
DOUBLE POLE		CIRCUIT	
MODEL NO.	ON	MOM	ON
8642AB	ON	MOM	
8646AB	ON	ON	

Actuator position:		
Terms. connected:	2-3	1-2
	5-6	4-5

→ Keyway



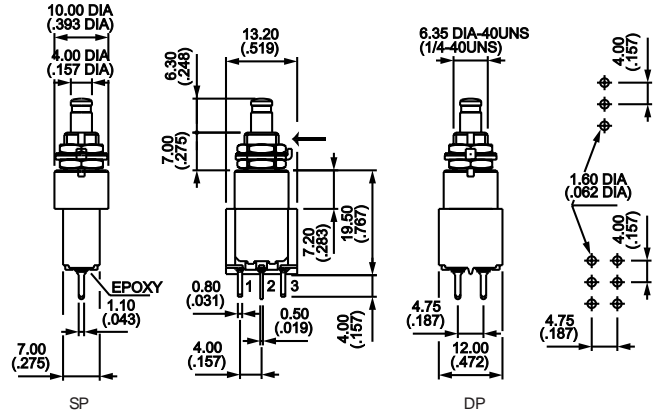
8000 SERIES - MINI. MOMENTARY OR ALTERNATE ACTION PUSHBUTTON SWITCHES

Straight p.c. terminals - 1/4" (6.35mm) bushing - silver contacts



SINGLE POLE		CIRCUIT	
MODEL NO.			
8432AB	ON	MOM	
8436AB	ON	ON	
DOUBLE POLE		CIRCUIT	
MODEL NO.			
8442AB	ON	MOM	
8446AB	ON	ON	
Actuator position:			
Terms. connected:		2-3	1-2
		5-6	4-5

→ Keyway

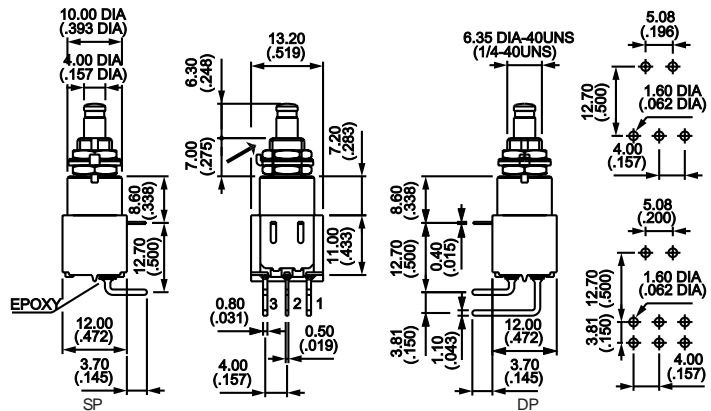


Horizontal right angle p.c. terminals - 1/4" (6.35mm) bushing - gold plated brass contacts



SINGLE POLE		CIRCUIT	
MODEL NO.			
8432WCDB	ON	MOM	
8436WCDB	ON	ON	
DOUBLE POLE		CIRCUIT	
MODEL NO.			
8442WCDB	ON	MOM	
8446WCDB	ON	ON	
Actuator position:			
Terms. connected:		2-3	1-2
		5-6	4-5

→ Keyway



Additional ordering information: Commonly ordered models are shown above with complete model numbers and specifications. Below is an order format that enables you to 'build your own switch' and specify the correct switch model number by simply selecting from all available options shown and filling in the boxes.

'BUILD YOUR OWN SWITCH' ORDER FORMAT

Fill in boxes with selections shown for **Model Structure**, then add **Options** selections for complete model number.
 (Allowable options are shown under each respective box).
 Note: 'NONE' indicates box may be left empty.

Model Structure:

Series	Terminals	Number of poles	Electrical functions	Terminals
<input type="text" value="8"/>	<input type="text"/>	<input type="text"/>	<input type="text"/>	<input type="text"/>
	4 Straight p.c. or right angle terminals 6 Solder lug terminals	3 Single pole 4 Double pole	2 ON - MOM 6 ON - ON	(NONE) Solder lug or straight p.c. W Right angle p.c.

Options:

Contact materials	Actuators	Sealing	Special options	
<input type="text"/>	<input type="text"/>	<input type="text"/>	<input type="text"/>	<input type="text"/>
A Silver A D Silver, gold plated C D Brass, gold plated	For 1/4" (6.35mm) bushings (NONE) Height .248" (6.3mm) 9 Height .346" (8.8mm) For 15/32" (11.9mm) bushings (NONE) Height .338" (8.6mm) 6 Height .275" (7mm)	(NONE) No sealing B Epoxy sealed terminals K Front panel sealing with 'o'-ring & gasket	(NONE) X 7 1 8 15/32" (11.9mm) bushing X 9 3 4 15/32" (11.9mm) bushing & front panel sealing	(NONE) U L

Example of completely specified model number: **8432WCDB**

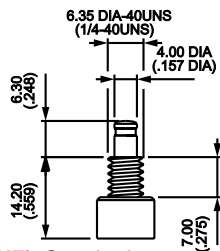
Caps available separately - see option drawings.

SPECIFICATIONS SUBJECT TO CHANGE WITHOUT NOTICE

8000 SERIES - MINI. MOMENTARY OR ALTERNATE ACTION PUSHBUTTON SWITCHES

ACTUATOR OPTIONS

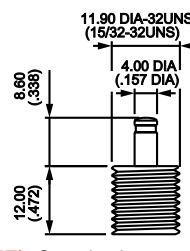
For 1/4" (6.35mm) bushing



(NONE) Standard

9

For 15/32" (11.9mm) bushing



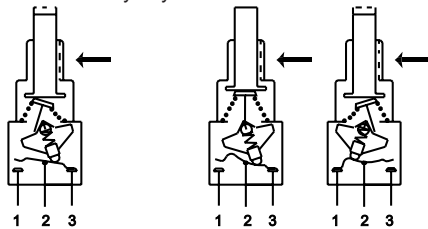
(NONE) Standard

6

MISCELLANEOUS

SWITCH ACTION

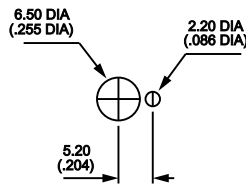
Arrow indicates keyway



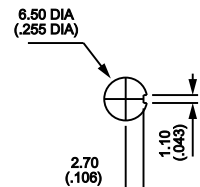
Function 6
(ON-ON)

Function 2
(ON-MOM)

PANEL CUT-OUTS



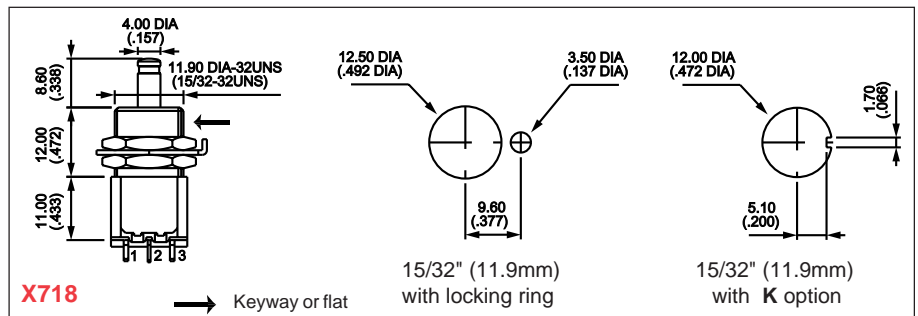
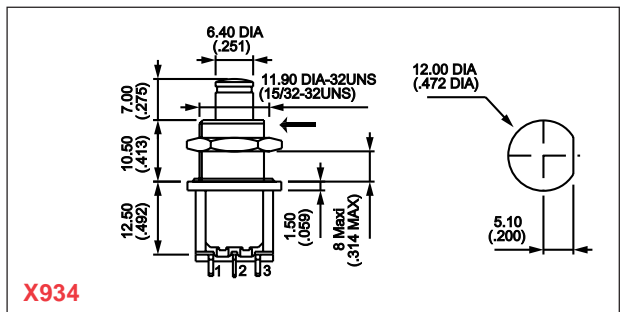
1/4" (6.35mm)
Standard (With locking ring)



1/4" (6.35mm)
with K option

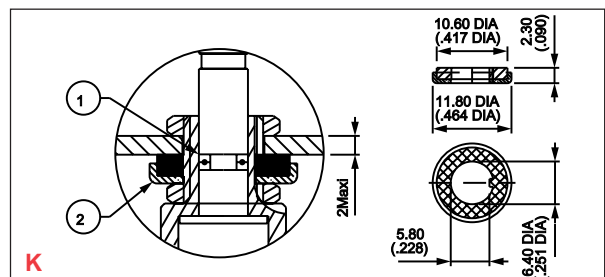
SPECIAL OPTIONS

- F** Tin plated terminals (for p.c. terminals only).
- X601** Silver plated brass contacts. Contact ratings: 0.2A 250VAC, 0.4A 125VAC or 0.5A 30VDC. Electric life: 20,000 cycles min. Minimum quantity: 5,000 pieces.
- X718** Bushing 15/32" (11.9mm). For all basic models (solder lug, straight p.c. or right angle p.c. terminals). Available with actuators 13 & 6. Sealing option K available.
- X934** Flatted 15/32" (11.9mm) bushing and front panel sealing with 2 'o'-rings.



SEALING OPTIONS

- (NONE)** No sealing.
- B** Epoxy sealed terminals.
- K** Front panel sealing with 'o'-ring and gasket. Protects against water and dust. Withstands 1 bar pressure when switch is operated.
- KB** Combined sealings (above).



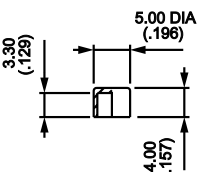
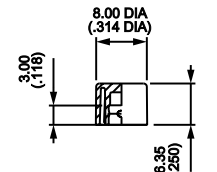
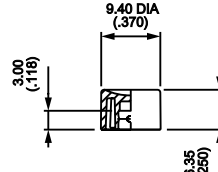
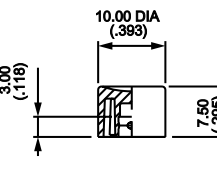
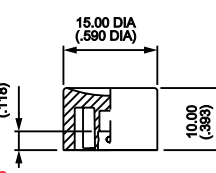
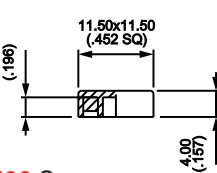
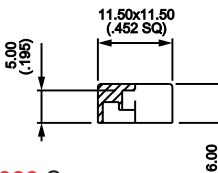
SPECIFICATIONS SUBJECT TO CHANGE WITHOUT NOTICE

C

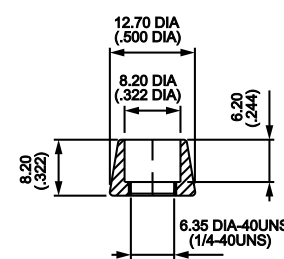
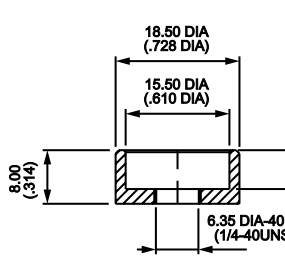
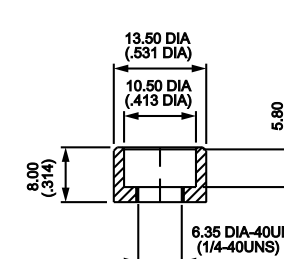
8000 SERIES - MINI. MOMENTARY OR ALTERNATE ACTION PUSHBUTTON SWITCHES

CAPS

Note: replace last '0' in p/n with color code.

 <p>U900</p>	 <p>U1140</p>	 <p>U1720</p>	 <p>U480 Standard</p>																		
 <p>U630</p>	 <p>U2430 Square</p>	 <p>U2020 Square</p>	<table border="1"> <thead> <tr> <th colspan="2">Colors</th> </tr> </thead> <tbody> <tr><td>1</td><td>blue</td></tr> <tr><td>2</td><td>black</td></tr> <tr><td>3</td><td>green</td></tr> <tr><td>4</td><td>grey</td></tr> <tr><td>5</td><td>yellow</td></tr> <tr><td>6</td><td>red</td></tr> <tr><td>7/1</td><td>white</td></tr> <tr><td>9</td><td>orange</td></tr> </tbody> </table>	Colors		1	blue	2	black	3	green	4	grey	5	yellow	6	red	7/1	white	9	orange
Colors																					
1	blue																				
2	black																				
3	green																				
4	grey																				
5	yellow																				
6	red																				
7/1	white																				
9	orange																				

DRESS NUTS (chrome plated)

 <p>U1636 For cap U1140</p>	 <p>U825 For cap U630</p>	 <p>U840 For cap U480</p>
--	--	--

SPECIFICATIONS SUBJECT TO CHANGE WITHOUT NOTICE