

PRODUCT NUMBER
76745-XXX-XXLF

ROHS COMPATIBLE, SEE NOTE 8
TOTAL NB OF POS (04 TO 72 POS)
OPTION LETTER, SEE NOTE 6
PIN STYLE

- 1 = 0.76µm GOLD/GXT,
- 3 = 2µm MIN MATTE TIN FULL PLATED
- 5 / 8 = 0.38µm GOLD/GXT

1.27µm Ni MIN UNDERPLATING

G = 0.76µm GOLD/GXT IN ZONE "A", 2µm MATTE TIN IN ZONE "B"
ALL OVER 1.27µm Ni MIN

NOTES:

1. HOUSING MAT'L : HIGH TEMPERATURE THERMOPLASTIC: UL94V-0 COLOR: BLACK.
2. PIN MATERIAL : PHOSPHOR BRONZE.
3. 12N MIN RETENTION IN EITHER DIRECTION.
4. TO DETERMINE DIMENSIONS :
N = NUMBER OF POSITIONS PER ROW
EXAMPLE : 8 POS PER ROW, N x 2.54 = 20.32mm
5. FOR STANDARD SELECTIVE GOLD PLATED PRODUCTS SEE DRAWINGS 54112 & 54122.
6. OPTION LETTER :
- = STANDARD PACKAGING IN POLYBAG
V = POLYBAGS PACKAGING FOR CUSTOMER DEDICATED PART
B = TUBE WITH PICK UP CAP AS AVAILABLE
7. RETENTION IS APPLIED TO TWO ADJACENT PINS AT EACH END OF THE PRODUCT SEE SCHEMA 1 OMIT FROM PRODUCT NUMBER IF THIS FEATURE IS NOT APPLICABLE
8. ROHS COMPATIBLE PRODUCT SPECIFICATIONS

a - PLATING:

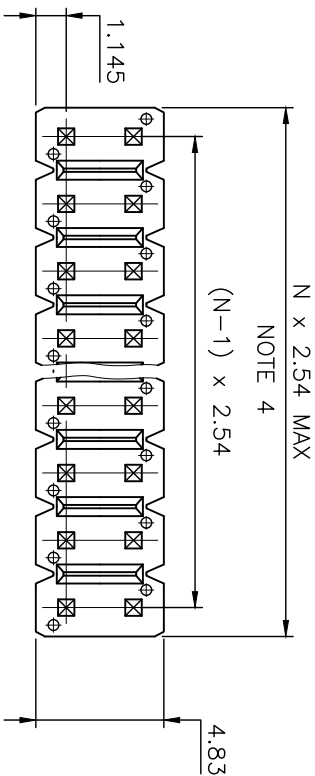
- "LF" MEANS THE PRODUCT IS LEAD-FREE,
2µm MINIMUM MATTE TIN OVER 1.27µm
MINIMUM NICKEL UNDERPLATE.

b - MANUFACTURING PROCESS COMPATIBILITY

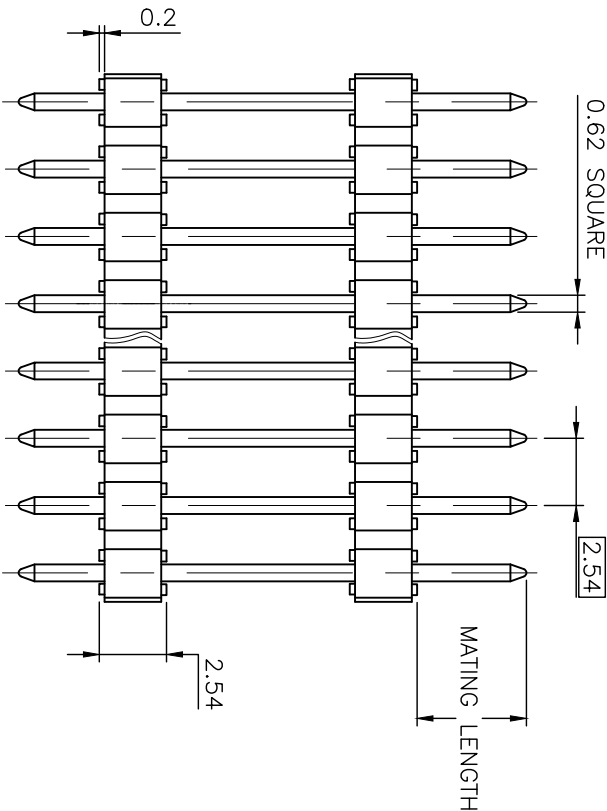
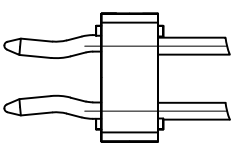
- THE HOUSING WILL WITHSTAND EXPOSURE TO
260°C ±5°C SOLDER BATH TEMPERATURE FOR
WITH A 1.6mm MIN THICK CIRCUIT BOARD.

c - LABELING:

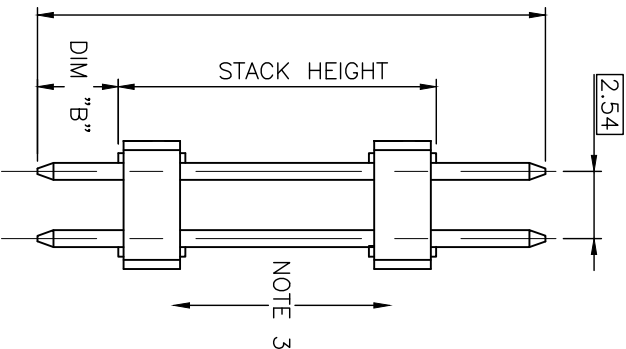
- MEETS PACKAGING SPECS AS PER GS-14-920
- LEGAL STATEMENT: SEE GS-47-0004



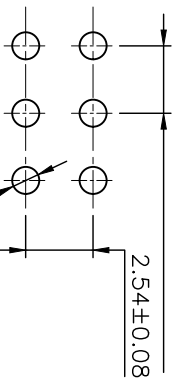
SCHEMA 1
TWO RETENTION PIN AT EACH
END OF THE PRODUCT



OAL (OVERALL LENGTH)
REF



2.54±0.08
NON-ACCUM TYP



RECOMMENDED HOLE PATTERN

mat'l. code		surface		tolerance		projection		product family	
SEE NOTES		ISO 1302	ISO 1302	ISO 406	ISO 1101	mm	mm	BSTIK	
Ltr	ecn no	dr	date	tolerances unless otherwise specified		mm	mm	title	
B-	19782	AMA	14.12.18			←	→	HEADER STR,DR	
FG	B-20322	AMA	15.01.27	angles	xx ±0.3	←	→	DOUBLE BODY	
FH	F-22479	BVE	15.11.12	linear xxx	±0.13	←	→	76745	
FK	F-28617	DDE	17.11.27	xxx	±0.05	←	→	sheet 1 of 4	
FL	F-37603	DDE	20.07.08	compagnon	95.12.05	←	→	A3	
				compagnon	95.12.05	←	→	Drawing	
Sheet index	revision	FL	CD	F	A				
1	2	3	4						

APPLICATION SPECIFIC				
PIN STYLE	MATING LENGTH ±0.2	STACK HEIGHT ±0.25	"B" ±0.25	("OAL") REF
01	8.71	19.76	2.65	31.12
02	6.87	16.5	3.05	26.42
03	6.87	13.0	3.63	23.5
04	5.6	6.5	2.88	14.98
05	5.51	8.0	3.05	16.56
06	6.61	11.3	3.05	20.96
07	5.58	10.3	2.54	18.42
08	5.81	7.7	3.05	16.56
09	5.72	5.08	2.54	13.34
10	6.9	10.45	2.71	20.06
11	11.2	9.5	2.8	23.5
13	9.07	6.3	3.05	18.42
14	5.33	21.5	2.48	29.31
17	7.5	23.45	3.05	34.0
19	9.5	10.45	3.55	23.5
21	11.96	18.5	3.2	33.66
23	9.0	25.9	3.05	37.95
24	8.87	14.5	3.05	26.42
25	9.84	11.43	9.85	31.12
28	6.6	8.25	2.8	17.65
29	9.1	15.7	3.2	28.0
34	8.0	12.0	3.0	23.0
36	10.55	7.5	10.53	28.58
40	7.0	6.5	3.06	16.56
55	13.0	20.0	3.2	36.2
57	11.78	5.08	3.23	20.06
58	23.0	8.5	5.5	36.97
59	9.0	18.2	9.0	36.2
62	9.2	9.3	3.5	22.0
68	6.75	8.0	2.9	17.65
71	6.8	5.2	2.69	14.69
79	9.95	39.0	3.05	52.0
80	5.68	7.0	2.3	15.0
88	10.8	8.0	3.7	22.5
AN	10.0	29.0	3.0	42.0
BD	11.7	13.5	3.21	28.41
BM	11.5	11.5	3.04	26.04
BT	8.5	35.0	8.5	52.0
CB	9.0	30.0	3.0	42.0
CD	9.24	12.0	9.24	30.48

APPLICATION SPECIFIC				
PIN STYLE	MATING LENGTH ±0.2	STACK HEIGHT ±0.25	"B" ±0.25	("OAL") REF
CF	8.25	16.0	8.25	32.5
CG	6.0	40.0	6.0	52.0
CH	11.02	12.0	3.02	26.04
CN	7.08	5.60	7.08	19.77
CP	9.50	7.00	2.41	18.91
CT	11.0	6.0	11.0	28.0
CU	9.75	13.0	9.75	32.5
CV	9.44	13.00	3.60	26.04
CW	5.00	36.00	5.00	46.00
CX	10.00	26.00	6.00	42.00
CY	10.9	18.20	10.9	40.00
CZ	5.5	23.00	5.50	34.00
DA	13.00	14.50	6.50	34.00
DB	12.75	8.50	12.75	34.00
DC	SEE SHEET 3			
DE	6.00	34.00	6.00	46.00
DF	9.12	7.80	9.12	26.04
DG	3.50	43.00	3.50	50.00
DH	6.50	8.00	6.50	21.00
DJ	5.80	17.75	5.80	29.31
DK	5.40	9.00	2.90	17.30
DL	9.00	8.50	6.00	23.50
DM	7.40	23.70	3.30	34.40
DN	7.40	12.10	3.30	22.80
DP	8.00	16.80	5.40	30.20
DR	6.40	15.00	6.40	27.80
DS	7.00	29.00	7.00	43.00
DT	9.80	27.40	9.80	47.00
DU	9.50	36.50	9.50	55.50
DV	9.30	6.30	5.80	22.00
DW	5.30	40.40	3.30	49.00

APPLICATION SPECIFIC				
PIN STYLE	MATING LENGTH ±0.2	STACK HEIGHT ±0.25	"B" ±0.25	("OAL") REF
DX	6.50	12.50	6.50	25.50
DY	6.50	9.50	6.50	22.50
EA	6.65	32.30	3.05	42.00
EB	2.66	15.00	5.84	23.50
EC	10.00	39.60	2.40	52.00
ED	5.40	57.20	2.40	65.00
EF	5.84	46.50	3.05	55.40
EG	5.60	20.00	5.64	31.24
EH	4.60	15.00	1.50	21.10
EJ	9.26	5.08	9.26	23.60
EK	6.00	7.50	6.00	19.50
EL	6.00	12.30	4.10	22.40
EM	9.00	9.30	6.21	24.51
EN	5.75	26.90	5.75	38.40
EP	6.50	36.40	6.50	49.40
ER	6.00	40.90	5.10	52.00

SEE SHEET 3

SEE SHEET 3

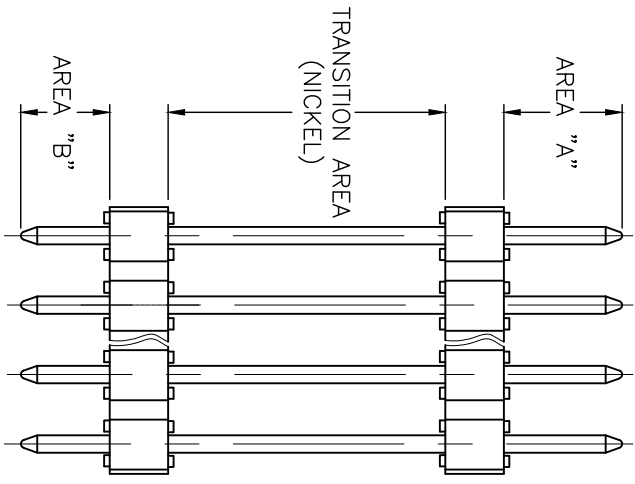
SEE SHEET 3

APPLICATION SPECIFIC				
PIN STYLE	MATING LENGTH ±0.2	STACK HEIGHT ±0.25	"B" ±0.25	("OAL") REF
01	8.71	19.76	2.65	31.12
02	6.87	16.5	3.05	26.42
03	6.87	13.0	3.63	23.5
04	5.6	6.5	2.88	14.98
05	5.51	8.0	3.05	16.56
06	6.61	11.3	3.05	20.96
07	5.58	10.3	2.54	18.42
08	5.81	7.7	3.05	16.56
09	5.72	5.08	2.54	13.34
10	6.9	10.45	2.71	20.06
11	11.2	9.5	2.8	23.5
13	9.07	6.3	3.05	18.42
14	5.33	21.5	2.48	29.31
17	7.5	23.45	3.05	34.0
19	9.5	10.45	3.55	23.5
21	11.96	18.5	3.2	33.66
23	9.0	25.9	3.05	37.95
24	8.87	14.5	3.05	26.42
25	9.84	11.43	9.85	31.12
28	6.6	8.25	2.8	17.65
29	9.1	15.7	3.2	28.0
34	8.0	12.0	3.0	23.0
36	10.55	7.5	10.53	28.58
40	7.0	6.5	3.06	16.56
55	13.0	20.0	3.2	36.2
57	11.78	5.08	3.23	20.06
58	23.0	8.5	5.5	36.97
59	9.0	18.2	9.0	36.2
62	9.2	9.3	3.5	22.0
68	6.75	8.0	2.9	17.65
71	6.8	5.2	2.69	14.69
79	9.95	39.0	3.05	52.0
80	5.68	7.0	2.3	15.0
88	10.8	8.0	3.7	22.5
AN	10.0	29.0	3.0	42.0
BD	11.7	13.5	3.21	28.41
BM	11.5	11.5	3.04	26.04
BT	8.5	35.0	8.5	52.0
CB	9.0	30.0	3.0	42.0
CD	9.24	12.0	9.24	30.48

SEE SHEET 3

Mat'l. code	ISO 1302	tolerance unless otherwise specified	ISO 406	ISO 1001
lfr	ecrn no	dr	date	
CB	B-20322	AMA	15.01.27	
CC	F-28617	DDE	17.11.27	
CD	F-37603	DDE	20.07.08	
BK	F12-0090	JFA	12.12.07	engr JMC
BY	B-16665	LWU	14.01.06	chr
CA	B-1345	LWU	14.11.07	qpprd JMC
Sheet	revision			95.08.28
index	sheet			

product family	BSTIK
title	HEADER STR,DR
	DOUBLE BODY
dwg no	76745
sheet 2 of 4	A3
size	Drawing
type	CUSTOMER



SPECIFICS PLATING AREA FOR PART NUMBERS :

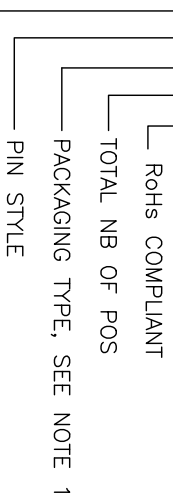
- P/N 76745-1CH-10LF
- P/N 76745-1CH-18LF
- P/N 76745-579R24LF
- P/N 76745-579R30LF
- P/N 76745-1CU-20LF
- P/N 76745-1DF-26LF

AREA "A" & "B" : GOLD/GXT PLATING AREA

mat'l. code		surface	tolerance	projection	product family
ltr	ecrn no	dr	date	ISO 1302	BSTIK
A	F06-110	LMU	06.01.26	<input checked="" type="checkbox"/> tolerance unless otherwise specified	title
B	F06-019d	LMU	06.06.20	angles linear	HEADER STR,DR
C	F07-026d	JCO	07.10.15	linear	DOUBLE BODY
D	F12-002d	LMU	12.06.06	L.MULIN	scale
E	F12-009d	JFA	12.12.07	J.COMPAGNON	mm
F	B-16665	LMU	14.01.06	qppd JMC	scale
Sheet	revision				dwg no
index	sheet				76745
					sheet 3 of 4
					size
					A3
					type
					CUSTOMER
					Drawing

SPECIFIC PRODUCT NUMBER

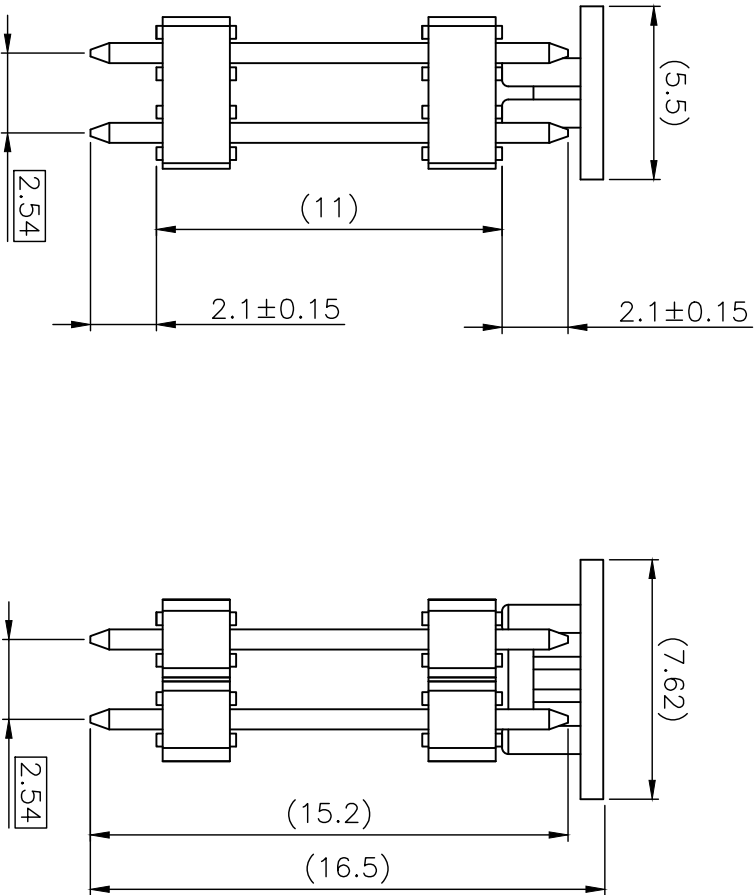
76745-3DCA04LF



PLATING
3 = 2µm MATTE TIN
OVER 1.27µm Ni MIN

NOTES :

1. PACKAGING : A = TAPE & REEL PACKAGING WITH PICK UP CAP INSTALLED SEE TA 840
2. PRODUCT COMPATIBLE WITH REFLOW PROCESS. 255°C PEAK TEMPERATURE 10-40 SECONDS IN A CONVECTION, INFRA-RED OR VAPOR PHASE



mat'l. code		surface		tolerance		projection		product family	
ISO 1302		ISO 406 ISO 1001		mm		BSTIK		title	
A		B-16665 LMU 14.01.06		angles linear		scale		type	
dr		engr		L.MULIN		13.02.18		HEADER STR,DR	
chf		appd		13.02.18		76745		DOUBLE BODY	
sheet		revision		13.02.18		CUSTOMER		Drawing	
index		sheet						sheet 4 of 4	
								size A3	