

QPL QUALIFIED

# MIL-DTL-38999 Series IV, Breech Coupling

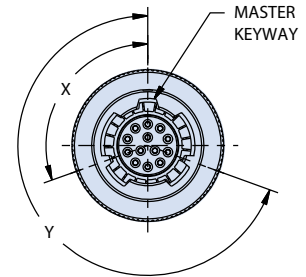
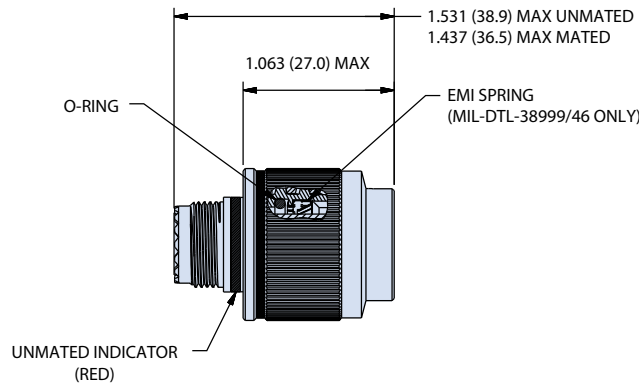
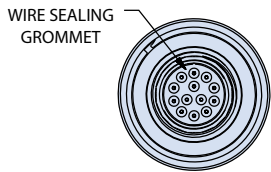
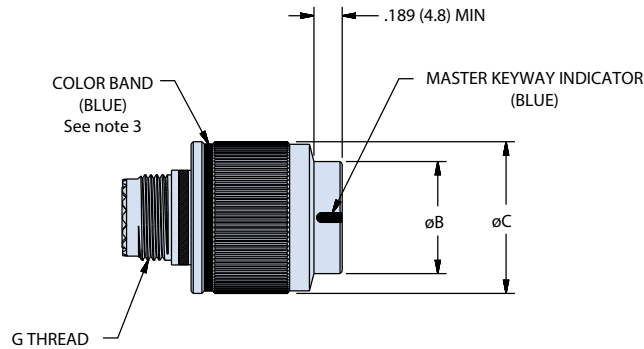
38999/46 plug with EMI ground spring

38999/47 plug without EMI ground spring



SERIES IV ENVIRONMENTAL

QPL Part Number Development						
Sample Part Number	D38999/46	W	J	30	P	N
MIL-DTL-38999	38999/46 = Plug with EMI ground spring 38999/47 = Plug without EMI ground spring					
Class	F = Environmental, aluminum, electroless nickel, conductive, -65°C to +200°C W = Environmental, aluminum, cadmium olive drab, conductive, -65°C to +175°C G = Environmental, aluminum, electroless nickel, conductive, -65°C to +200°C (space-grade)					
Shell Size	B, C, D, E, F, G, H, J					
Insert Arrangement	Per MIL-STD-1560; See reference information section for details					
Contact Style	P = Pin Insert      A = Pin Gender, Less Contacts S = Socket Insert    B = Socket Gender, Less Contacts					
Polarization	N (Normal), A, B, C, D, K, L, M, R; see polarization positions table					



Polarization Positions									
	N	A	B	C	D	K	L	M	R
X	110°	100°	90°	80°	70°	120°	120°	120°	120°
Y	250°	260°	270°	280°	290°	255°	265°	275°	285°

# COTS EQUIVALENT MIL-DTL-38999 Series IV, Breech Coupling



234-105-46 plug with EMI ground spring  
234-105-47 plug without EMI ground spring

SERIES IV ENVIRONMENTAL

COTS Part Number Development						
Sample Part Number	234-105-46	NF	11	-35	P	N
Series / Basic Part No.	<b>234-105-46</b> = Environmental plug with EMI ground spring <b>234-105-47</b> = Environmental plug without EMI ground spring					
Material/Finish	<b>ME*</b> = Aluminum, electroless nickel, conductive, -65°C to +200°C <b>NF</b> = Aluminum, cadmium olive drab, conductive, -65°C to +175°C <b>MA†</b> = Aluminum, electroless nickel, conductive, -65°C to +200°C (space-grade)					
Shell Size	<b>11, 13, 15, 17, 19, 21, 23, 25</b>					
Insert Arrangement	Per MIL-STD-1560; See reference information section for details					
Contact Designator	<b>P</b> = Pin Insert <b>A</b> = Pin Gender, Less Contacts <b>S</b> = Socket Insert <b>B</b> = Socket Gender, Less Contacts					
Polarization	<b>N</b> (Normal), <b>A, B, C, D, K, L, M, R</b> ; see polarization positions table					

\* Plug connectors, styles 46 and 47, with ME finish supplied with hard anodized coupling nuts  
 † Connectors must be ordered with "MA" finish and modification code "-186T" to conform to the thermal vacuum outgassing requirements of Class G.  
 Additional material/finish options are available, consult factory for ordering information.

Dimensions				
Shell Size	Shell Size Code	ØB Max	ØC Max	G Thread
11	B	.776 (19.71)	1.047 (26.59)	M15 X 1.0-6g 0.100R
13	C	.902 (22.91)	1.220 (30.99)	M18 X 1.0-6g 0.100R
15	D	1.039 (26.39)	1.346 (34.19)	M22 X 1.0-6g 0.100R
17	E	1.150 (29.21)	1.472 (37.39)	M25 X 1.0-6g 0.100R
19	F	1.276 (32.41)	1.583 (40.21)	M28 X 1.0-6g 0.100R
21	G	1.402 (35.61)	1.705 (43.31)	M31 X 1.0-6g 0.100R
23	H	1.528 (38.81)	1.831 (46.51)	M34 X 1.0-6g 0.100R
25	J	1.650 (41.91)	1.957 (49.71)	M37 X 1.0-6g 0.100R

### NOTES

1. Insert arrangements per MIL-STD-1560.
2. Connector is supplied with contacts (including spares), insertion/removal tool and sealing plugs unless otherwise specified.
3. Blue color band indicates rear release retention system.

Additional Material/Finish Options	
Finish Code	Description
G2	Aluminum, anodize, hardcoat
ZR	Aluminum, zinc nickel, black (tri-valent cr)
MT	Aluminum, nickel PTFE

# Mouser Electronics

Authorized Distributor

Click to View Pricing, Inventory, Delivery & Lifecycle Information:

## Glenair:

[D38999/46FJ19SA](#) [D38999/46WB5SN](#) [D38999/46WB99PA](#) [D38999/46FB35SA](#) [D38999/46FC4SN](#)  
[D38999/46FC4PN](#) [D38999/46FG35SN](#) [D38999/46WB99SA](#) [D38999/46FC98PN](#) [D38999/46FJ35PN](#)  
[D38999/46WB99SB](#) [D38999/46WC35SA](#) [D38999/46WE6SN](#) [D38999/46WG35SN](#) [D38999/46WG41PA](#)  
[D38999/46WJ35SN](#) [D38999/46WC98PA](#) [D38999/46WC98SN](#) [D38999/46WD18PB](#) [D38999/46WH35SN](#)  
[D38999/46WJ61PN](#) [D38999/46WJ61SA](#) [D38999/47FB35SA](#) [D38999/47WE6SN](#) [D38999/46FE35PN](#)  
[D38999/46FG41PN](#) [D38999/46WC35PA](#) [D38999/46WE6PN](#) [D38999/46WE8PN](#) [D38999/46WG41PN](#)  
[D38999/46FG11SN](#) [D38999/46WD35PA](#) [D38999/46WD5SA](#) [D38999/46WE35PA](#) [D38999/46WF11PN](#)  
[D38999/47FD18PN](#) [D38999/46FB5SN](#) [D38999/46FD35SN](#) [D38999/46WB35PN](#) [D38999/46WB35SA](#)  
[D38999/46WC35PN](#) [D38999/46WD18SD](#) [D38999/46WD19SN](#) [D38999/46WB99SD](#) [D38999/46WD5PN](#)  
[D38999/46WD5SN](#) [D38999/46WE26SA](#) [D38999/46WD35SN](#) [D38999/46WE35PC](#) [D38999/46WF35PA](#)  
[D38999/46WG11SN](#) [D38999/46WG41SB](#) [D38999/46WH35SD](#) [D38999/47FB35SN](#) [D38999/47FB5SN](#)  
[D38999/47WE35SN](#) [D38999/46FC35SA](#) [D38999/46FD35SA](#) [D38999/46FE6SN](#) [D38999/46FG11PN](#)  
[D38999/46FG16PN](#) [D38999/46WB35PA](#) [D38999/46WB5PA](#) [D38999/46WB99PC](#) [D38999/46FB35PN](#)  
[D38999/46FD35PN](#) [D38999/46FG35SA](#) [D38999/46FJ35PB](#) [D38999/46WD18SN](#) [D38999/47WJ35SA](#)  
[D38999/46FB35PA](#) [D38999/46FC35PN](#) [D38999/46FE26SN](#) [D38999/46FE35PA](#) [D38999/46FF32PN](#)  
[D38999/46WB99PN](#) [D38999/46WC98PN](#) [D38999/46WD18SB](#) [D38999/46WE35SN](#) [D38999/46WF35PN](#)  
[D38999/46WG16SN](#) [D38999/46WJ61PA](#) [D38999/46WJ61SN](#) [D38999/46FB35SN](#) [D38999/46FB99SN](#)  
[D38999/46FC35SB](#) [D38999/46FE6PN](#) [D38999/46WB99PD](#) [D38999/46WB99SN](#) [D38999/46WD18PN](#)  
[D38999/46WE26PA](#) [D38999/46WE8SN](#) [D38999/46WF32SN](#) [D38999/46WG16PN](#) [D38999/46WB99SC](#)  
[D38999/46WC4SA](#) [D38999/46WD35SB](#) [D38999/46WE26SN](#) [D38999/46WE6BN](#) [D38999/46WF32PN](#)