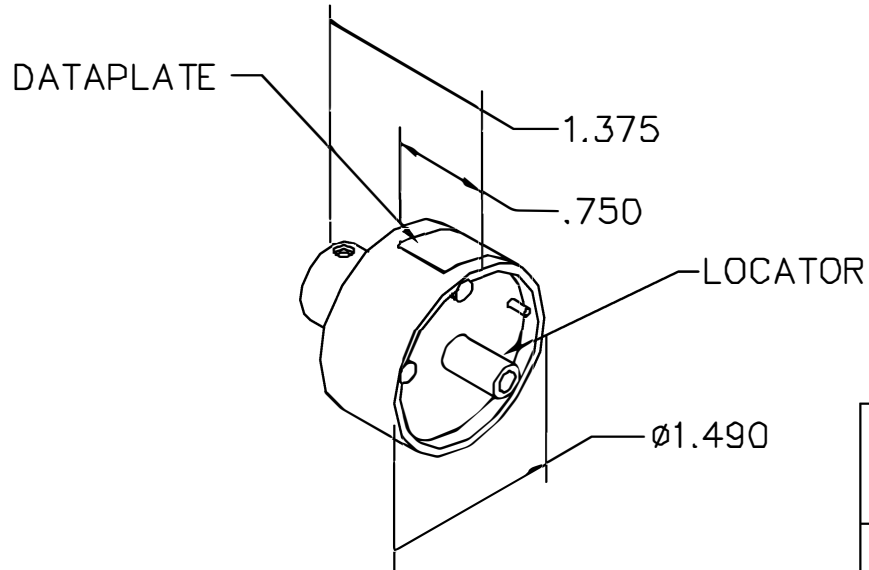


REVISIONS				
REV. SYM.	E.C.O. NUMBER	DESCRIPTION	BY DATE	APP'D DATE
1		ORIGINAL RELEASE	JWJ 4/7/05	RRR 4/7/05

**UNCONTROLLED DOCUMENT
WILL NOT BE UPDATED**



CONTACT	0,38	1,00	1,34	2,00	2,50	WIRE mm ²
FRB CONNECTRON						
0350B11, 11-0350				3	4	SEL NO. USE WITH M317 TOOL
0350B12, 12-0350			2	3		
0350B13, 13-0350	1	2				

DATAPLATE

LOCATOR	
HOLE DIMENSIONS	ADDITIONAL FEATURES
Ø.281 ▽ 1.14 MIN.	└┘ Ø.343 ▽ .191

RESTRICTED & CONFIDENTIAL

CONFIDENTIAL PROPERTY OF DANIELS MANUFACTURING CORP. NOT TO BE DISCLOSED TO OTHERS, REPRODUCED OR USED FOR ANY OTHER PURPOSE, EXCEPT AS AUTHORIZED IN WRITING BY DANIELS MANUFACTURING. MUST BE RETURNED TO DANIELS MANUFACTURING CORP. ON COMPLETION OF ORDER OR OTHER PURPOSE FOR WHICH LENT.

DO NOT SCALE DRAWING

DRN.	J. JOYCE	DATE	4/7/05
CHK'D.	RRR	DATE	4/7/05
APP'D.		DATE	
APP'D.		DATE	

NOTE:
THIS DRAWING IS AN OUTLINE DRAWING OF THE RESPECTIVE DMC PART NUMBER INDICATED. ACTUAL DMC PART NUMBER IS DRAWING NUMBER WITHOUT THE "-ENV" SUFFIX.



DANIELS MANUFACTURING CORP.
ORLANDO, FLORIDA
CAGE 11851

TITLE
SINGLE POSITION HEAD
ENVELOPE DRAWING

WHERE USED: M317

SIZE	SCALE	CAD P/N	SHEET	OF
A	NTS	TP805-ENV	1	1
POSTING	DWG. NO.	REV.		
	TP805-ENV	1		

Mouser Electronics

Authorized Distributor

Click to View Pricing, Inventory, Delivery & Lifecycle Information:

[Daniels Manufacturing:](#)

[TP805](#)