

PART NO.	MAX NO. OF CONDUCTORS	"A" ±.02 [0.5]	"B" REF	"C" ±.005 [0.13]	"D" ±.015 [0.4]	"E" REF	FIG.
TFCCA-15-01	10	.57 [14.5]	1.28 [32.5]	.591 [15.0]	.36 [9.1]	.56 [14.1]	FIG. 1
TFCCA-25-01	20	.97 [24.7]	1.55 [39.3]	.787 [20.0]	.52 [13.2]	.50 [12.7]	FIG. 2
TFCCA-40-01	40	2.13 [54.1]	2.64 [67.0]	1.575 [40.0]	.39 [10.0]	.64 [16.3]	
TFCCA-50-01	50	2.51 [63.8]	3.04 [77.2]	1.957 [49.7]	.40 [10.2]	.54 [13.7]	

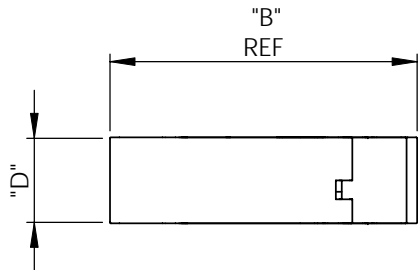


FIG. 1

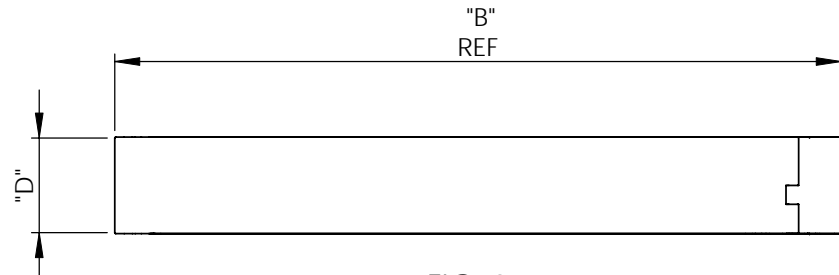
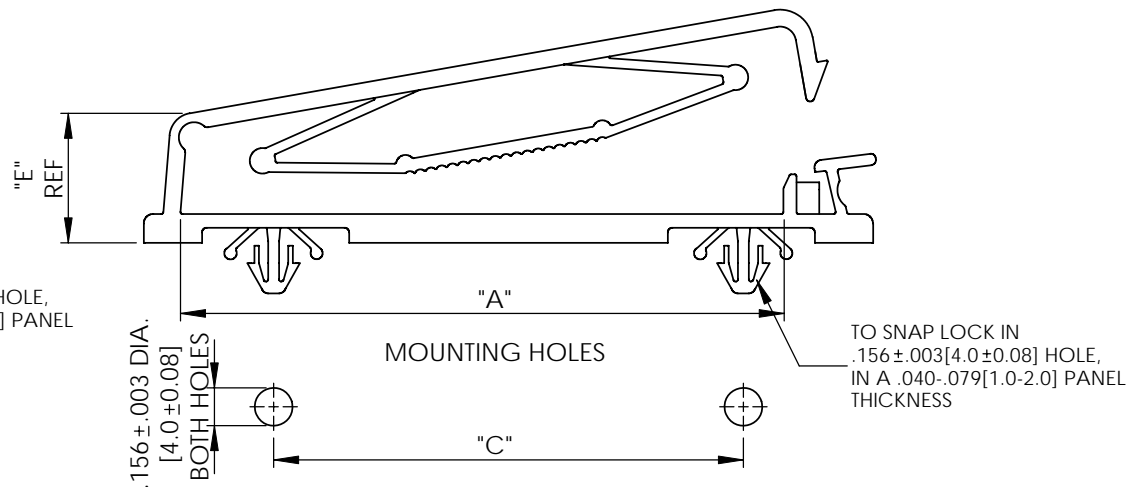
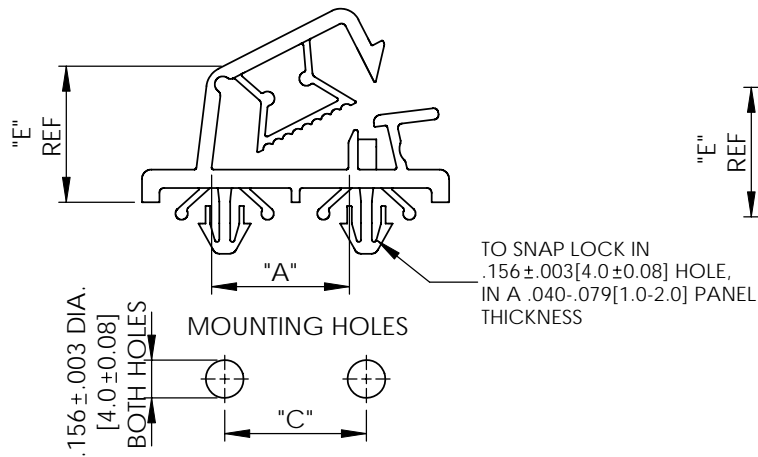


FIG. 2



NOTES:

1. MATERIAL: NYLON 6/6 UL94 V-2 (RMS-01).
2. MATERIAL NYLON 6/6 UL94 V-0 (RMS-19) AVAILABLE FOR SPECIAL ORDER ONLY, TO ORDER REPLACE "-01" WITH "-19"
3. COLOR: NATURAL.

TITLE: TENSION FLAT CABLE CLAMP WITH ARROWHEAD						DWG IN IN [MM]	
CREATED USING SOLIDWORKS	FILE #: TFCCA	DWN: J.T	APP: J.T	FINAL			
TOLERANCES UNLESS NOTED .XX=±.020 .XXX=±.015 FRAC.=±1/32 ANG.=±3°	SHEET: 1 OF 1	SHEET SIZE: A	DT: 11.17.06	CHKD: A.F	PART #		PRINT TYPE
	RE: RICHCO XIAMEN		RICHCO XIAMEN RICHCO_XIAMEN@RICHCO.CN (+86) 592-6884500		SEE TABLE		CA

REV.	DESCRIPTION	ENGR.	DATE
C	SEE CO 220021 FOR CHANGES	J.T	02.06.09
B	SEE ECN XM0011 FOR CHANGES	J.T	04.24.07
A	RELEASED FOR PRODUCTION	J.T	03.13.07

Mouser Electronics

Authorized Distributor

Click to View Pricing, Inventory, Delivery & Lifecycle Information:

[Essentra:](#)

[TFCCA-15-01](#) [TFCCA-25-01](#) [TFCCA-40-01](#) [TFCCA-50-01](#)