

SIZE	Part Num.	Threading	Jackscrew colour
25	86303639BLF	UNC 4.40	black
	86303644BLF	M3	grey
	86303644B100LF	M3	grey

NOTES:

Material: Nylon (UL94V-2)

Cable strain relief: Cable clamp with Self-faping screws

Temperature range: -40°C to 95°C

Cable diameter: 4.0 to 11.0mm

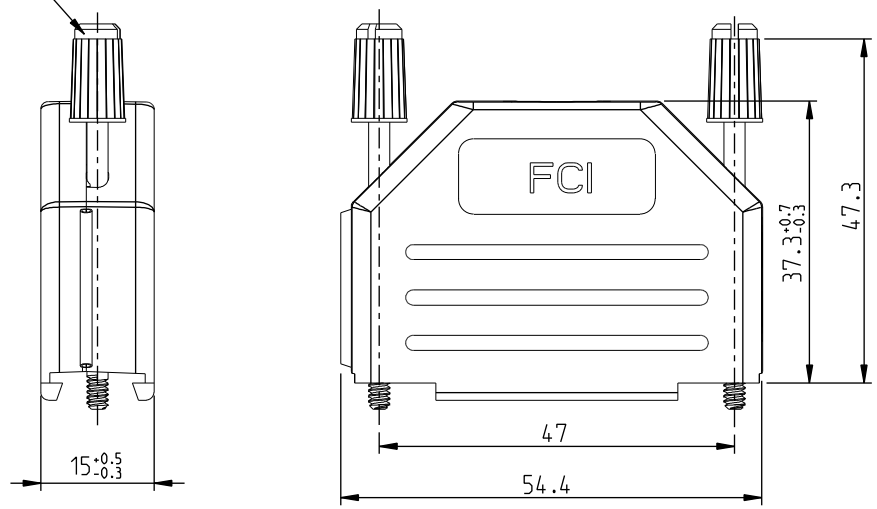
Jackscrew colour: black for 4.40 UNC }
grey for M3.0

Packaging: - Part Num. ending BLF = Box of 100 individual sets.
- Part Num. ending B100LF = Box of bulk components in plastic bags (see quantity on the table).

Cable clamp screwing force (max): 70 Ncm

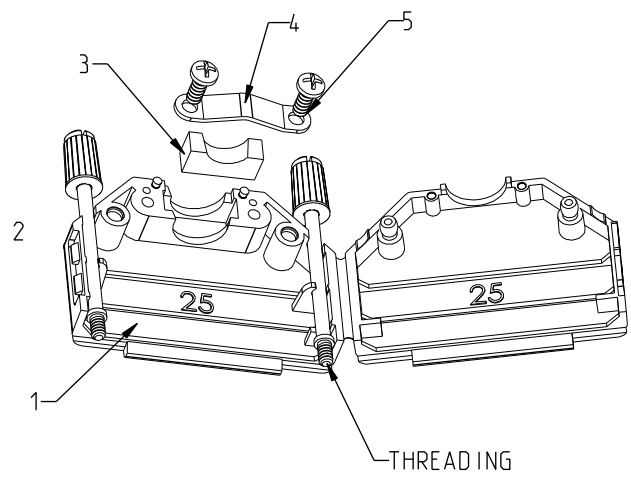
Jack screws screwing force (max): 50 Ncm

See table for colour coding



- The "LF" product meets European Union Directives and other country regulations as described in GS-22-008.
- The product is not intended to be exposed to a manufacturing solder process.
- packaging spec; see GS-14-920.

DESIGNATION	REP	Qty per set	Qty per bulk
BACKSHELL	1	1	100
JACKSCREWS	2	2	200
GROMMET	3	1	100
CABLECLAMP	4	1	100
SCREWS POZIDRIVE	5	2	200



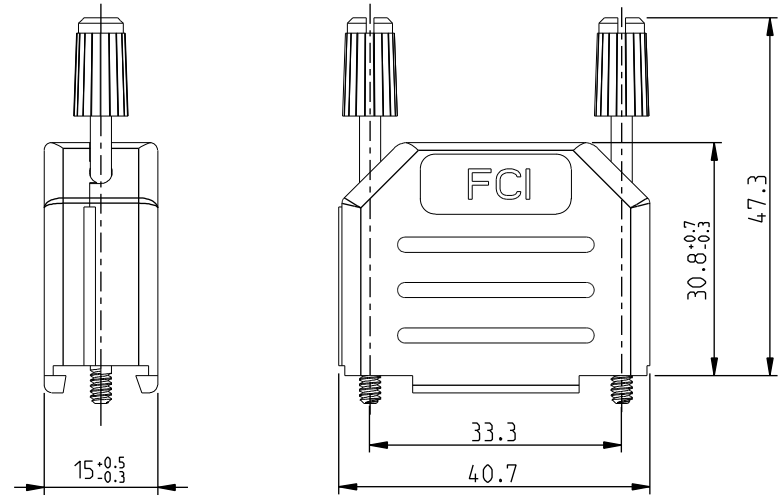
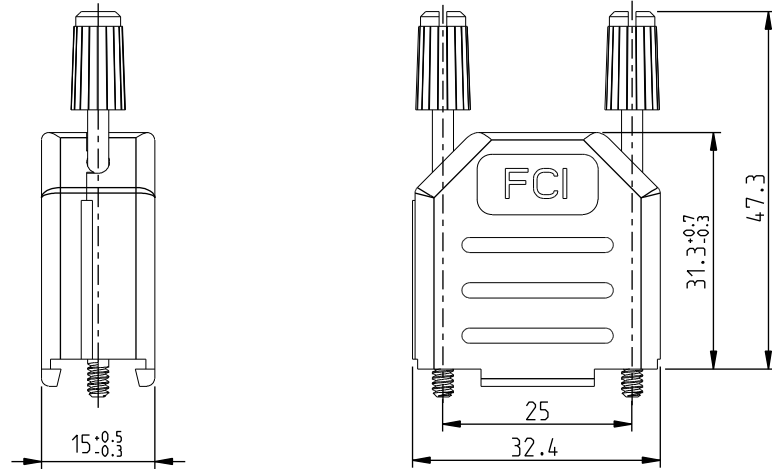
www.fciconnect.com		surface ISO 1302	-	tolerance std ISO 406	ISO 1101	projection	mm
TOLERANCES UNLESS OTHERWISE SPECIFIED							
Dr	GOISNARD L	2004.03.22	ANGULAR	0.x	±/	size	Scale 3:2
Eng	PESSON M	2004.03.22	LINEAR	0.xx	±/	A3	ECN F10-0083
Chr	LEGARE .P	2004.03.22	0° ±/	0.xxx	±/	Spec ref	-
Appr	LEGARE P	2004.03.22	Product family	D-SUB HOODS		-	
Title		D-SUB PLASTIC SHELLS		dwg no		10061215C	
STRAIGHT SNAP-TOGETHER		see tables		CUSTOMER		sheet 1 of 3	
catalog no		-		-		Rev. E	

rev	ecn no	dr	date
A	LS05-0086	LGO	2005/10/10
B	LS06-0084	LGO	2006/06/20
C	LS08-0155	MPE	2008/06/27
D	F09-0223	LSA	2009/11/24
E	F10-0083	LSA	2010/08/04
-	-	-	-
-	-	-	-

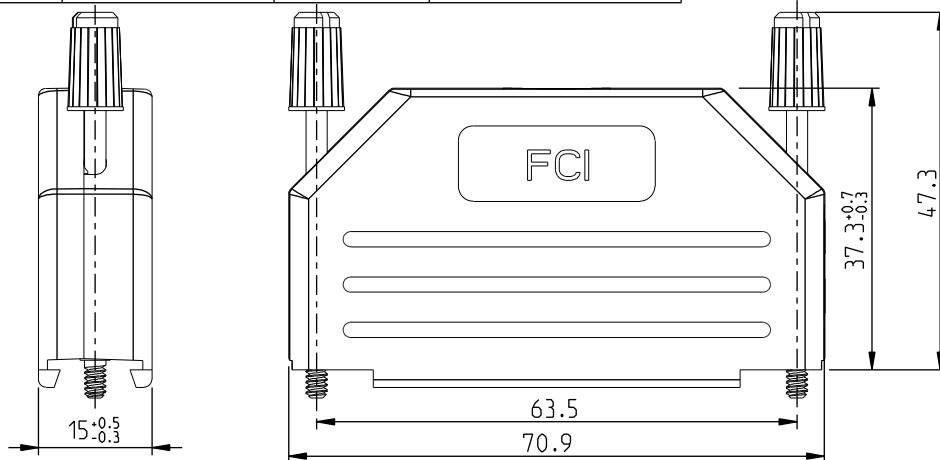
Copyright FCI.

SIZE	Part Num.	Threading	Jackscrew colour	Packaging box
9	86303637BLF	UNC 4.40	Black	Individual sets
	86553329BLF	M3	Grey	Individual sets
	86553329B100LF	M3	Grey	Individual bulks

SIZE	Part Num.	Threading	Jackscrew colour	Packaging box
15	86303638BLF	UNC 4.40	Black	Individual sets
	86553330BLF	M3	Grey	Individual sets
	86553330B100LF	M3	Grey	Individual bulks



SIZE	Part Num.	Threading	Jackscrew colour
37	86303640BLF	UNC 4.40	black
	86303645BLF	M3	grey
	86303645B100LF	M3	grey



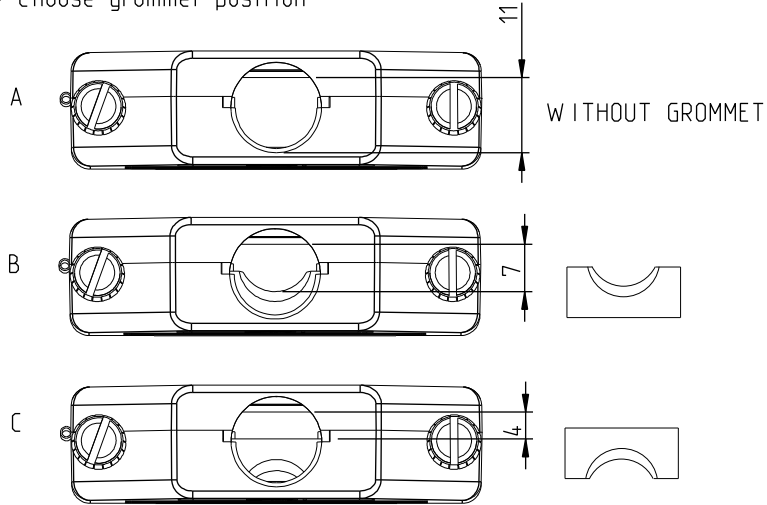
www.fciconnect.com		surface ISO 1302	tolerance std ISO 406 ISO 1101	projection mm	
		TOLERANCES UNLESS OTHERWISE SPECIFIED			
Dr	GOISNARD L	2004.03.22	ANGULAR	LINEAR	size A3
Eng	PESSON M	2004.03.22	0.x	±/	Scale 1:1
Chr	LEGARE .P	2004.03.22	0.xx	±/	ECN F10-0083
Appr	LEGARE P	2004.03.22	0.xxx	±/	Spec ref -
Product family		D-SUB HOODS		-	
Title D-SUB PLASTIC SHELLS STRAIGHT SNAP-TOGETHER		catalog no see tables		dwg no 10061215C	Rev. E
		CUSTOMER		sheet 2 of 3	

Copyright FCI.

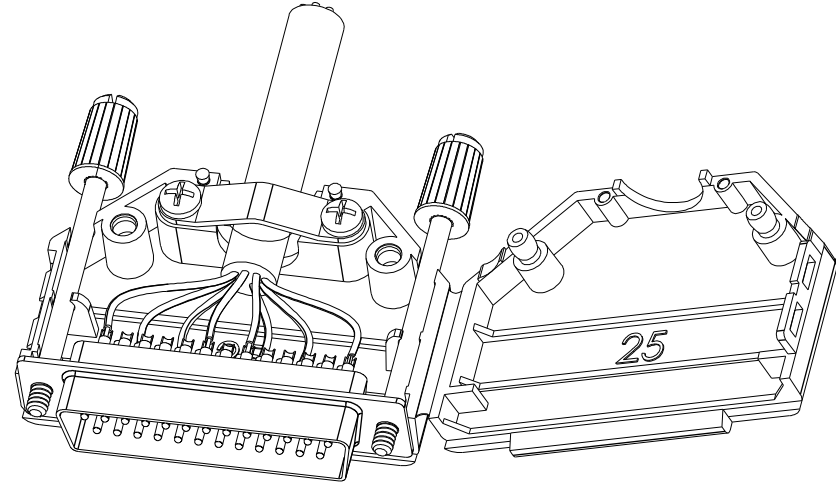
REV E - 2006-03-28

CABLING INSTRUCTIONS

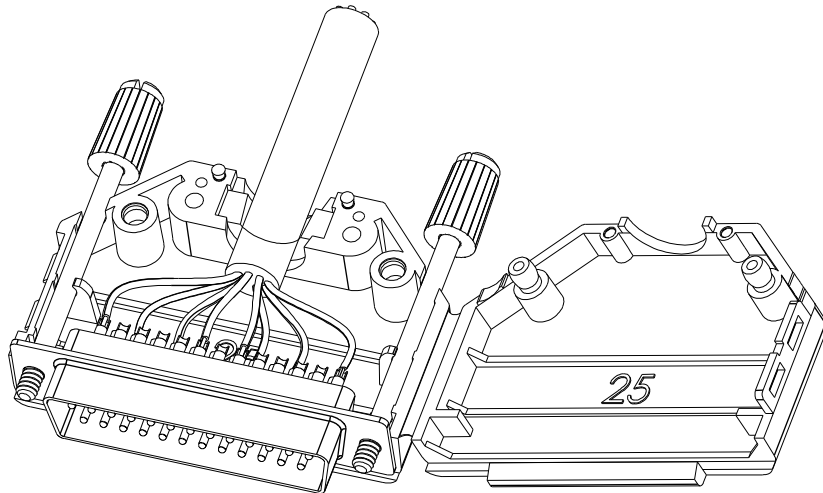
1- Choose grommet position



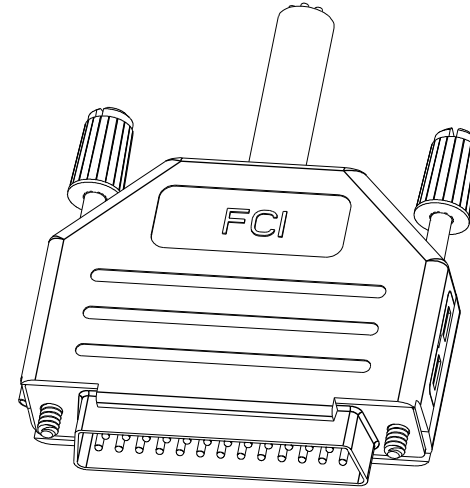
3- Mount cableclamp and screws



2- Mount connector and cable inside



4- Close the backshell and click together



Copyright FCI.

www.fciconnect.com			surface ISO 1302	✓	tolerance std ISO 406 ISO 1101	projection mm	mm
TOLERANCES UNLESS OTHERWISE SPECIFIED						size A3	Scale 1:1
Dr	GOISNARD L	2004.03.22	ANGULAR	LINEAR	0.x ±/	ECN	F10-0083
Eng	PESSON M	2004.03.22	0° ±/		0.xx ±/	Spec ref	-
Chr	LEGARE.P	2004.03.22			0.xxx ±/		
Appr	LEGARE P	2004.03.22	Product family		D-SUB HOODS		
Title			D-SUB PLASTIC SHELLS STRAIGHT SNAP-TOGETHER			dwg no	10061215C
catalog no			see tables			CUSTOMER	Rev. E
						sheet 3 of 3	

Mouser Electronics

Authorized Distributor

Click to View Pricing, Inventory, Delivery & Lifecycle Information:

[FCI / Amphenol:](#)

[86303637BLF](#) [86303638BLF](#) [86303639BLF](#) [86303640BLF](#) [86553329BLF](#) [86553330BLF](#)