

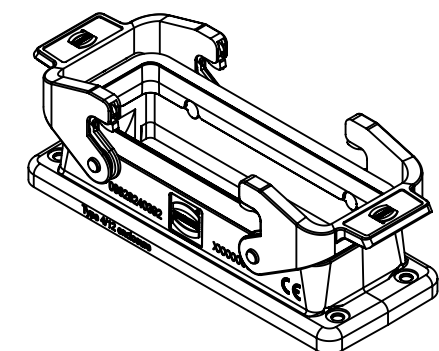
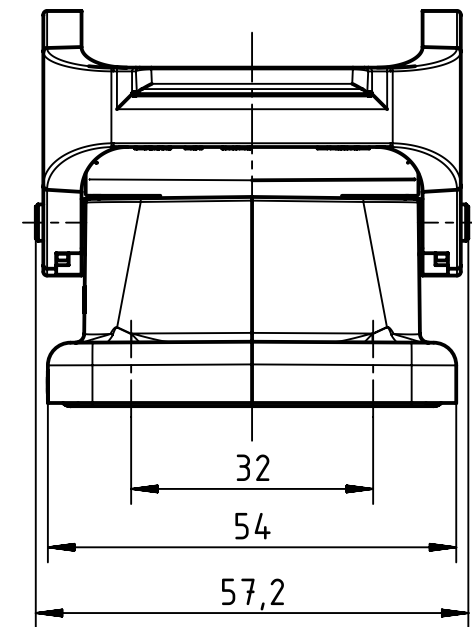
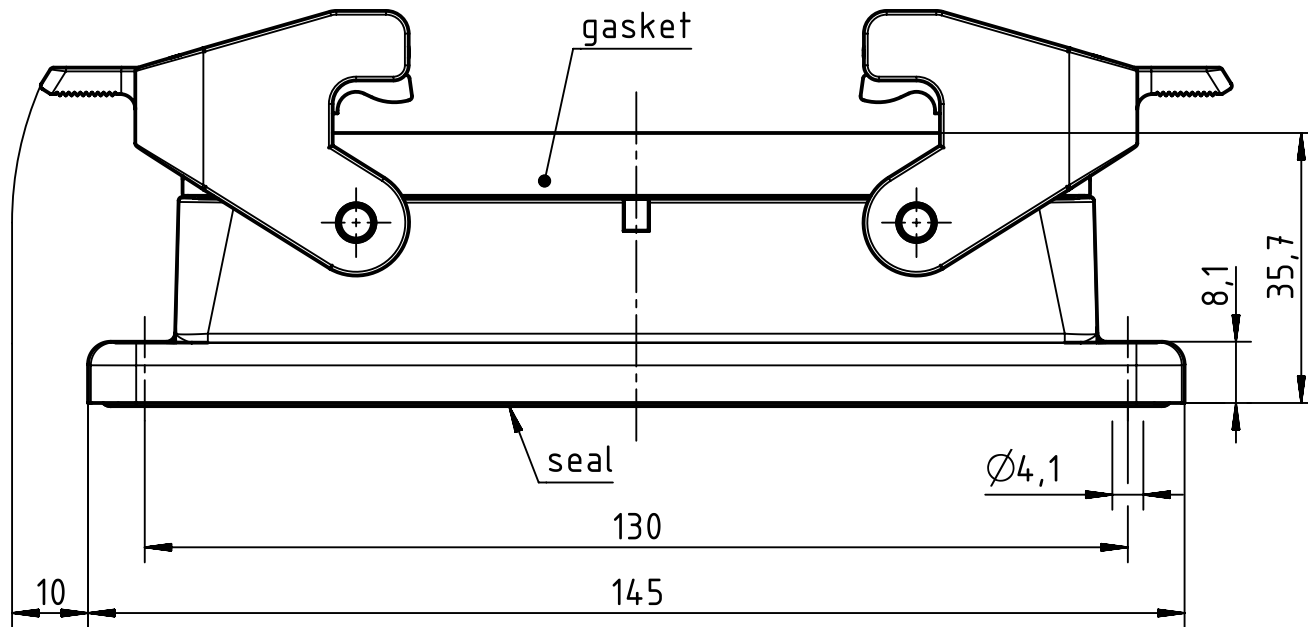
1 2 3 4 5 6

A

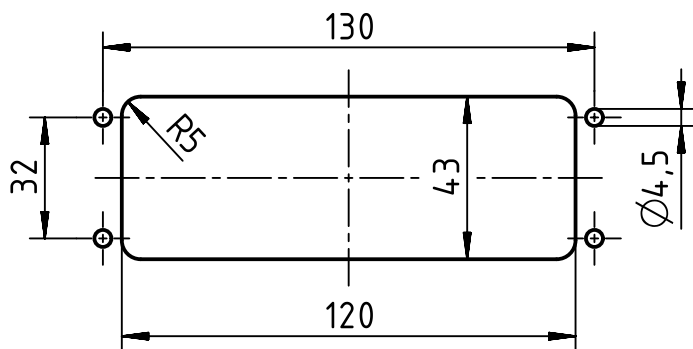
B


C

D



panel cut out (1:2)



	All Dimensions in mm Original Size DIN A4		Scale 1:1	Free size tol.		Ref.	
	All rights reserved Department EL PD		Created by LONGL	Inspected by WENE	Standardisation GARSKE	Date 2020-03-19	State Final Release
HARTING Electric GmbH & Co. KG D-32339 Espelkamp			Title Han 24B/EMV HBM Rear-Fit DL w/o frame			Doc-Key / ECM-Nr. 100853155/UGD/001/A 500000160108	
			Type TB	Number 09 62 824 0392		Rev. A	Page 1/1