



Kilovac | Kilovac K41

TE Internal #: 5-1618239-0

Kilovac K41, High Voltage Relays, 5 kVDC Contact Voltage, 1 Form C, SPDT, Bus Wires, High Voltage Tabs, Without Economizer, Power Switching, RF Rated

[View on TE.com >](#)

Relays, Contactors & Switches > Relays > High Voltage Relays



Contact Voltage Rating: **5 kVDC**

High Voltage Relay Contact Arrangement: **1 Form C, SPDT**

High Voltage Connection (Coil): **Bus Wires**

High Voltage Connection (Power): **High Voltage Tabs**

Economizer: **Without**

**Features**

**Product Type Features**

RF Rated	Yes
Product Type	Relay
Relay Type	High Voltage

**Configuration Features**

Economizer	Without
Power Switching	Yes

**Electrical Characteristics**

Contact Voltage Rating	5 kVDC
High Voltage Relay Voltage (Max)	26.5 VDC
High Voltage Relay Coil Voltage Rating	26.5 VDC
High Voltage Relay Coil Resistance	290 Ω

**Contact Features**

High Voltage Relay Contact Arrangement	1 Form C, SPDT
Auxiliary Contacts	Without
High Voltage Relay Contact Current Rating	30 A

**Termination Features**

High Voltage Connection (Coil)	Bus Wires
High Voltage Connection (Power)	High Voltage Tabs



Termination Style	Bus Wires
-------------------	-----------

**Mechanical Attachment**

High Voltage Relay Mounting Type	Non-Flanged
----------------------------------	-------------

**Product Compliance**

[For compliance documentation, visit the product page on TE.com>](#)

EU RoHS Directive 2011/65/EU	Compliant
EU ELV Directive 2000/53/EC	Not Compliant
China RoHS 2 Directive MIIT Order No 32, 2016	No Restricted Materials Above Threshold
EU REACH Regulation (EC) No. 1907/2006	Current ECHA Candidate List: JUL 2021 (219) Candidate List Declared Against: JUL 2021 (219) Does not contain REACH SVHC
Halogen Content	Low Halogen - Br, Cl, F, I < 900 ppm per homogenous material. Also BFR/CFR/PVC Free
Solder Process Capability	Not lead free process capable

Product Compliance Disclaimer

This information is provided based on reasonable inquiry of our suppliers and represents our current actual knowledge based on the information they provided. This information is subject to change. The part numbers that TE has identified as EU RoHS compliant have a maximum concentration of 0.1% by weight in homogenous materials for lead, hexavalent chromium, mercury, PBB, PBDE, DBP, BBP, DEHP, DIBP, and 0.01% for cadmium, or qualify for an exemption to these limits as defined in the Annexes of Directive 2011/65/EU (RoHS2). Finished electrical and electronic equipment products will be CE marked as required by Directive 2011/65/EU. Components may not be CE marked. Additionally, the part numbers that TE has identified as EU ELV compliant have a maximum concentration of 0.1% by weight in homogenous materials for lead, hexavalent chromium, and mercury, and 0.01% for cadmium, or qualify for an exemption to these limits as defined in the Annexes of Directive 2000/53/EC (ELV). Regarding the REACH Regulation, the information TE provides on SVHC in articles for this part number is based on the latest European Chemicals Agency (ECHA) 'Guidance on requirements for substances in articles' posted at this URL: <https://echa.europa.eu/guidance-documents/guidance-on-reach>

**Compatible Parts**



**Also in the Series | Kilovac K41**

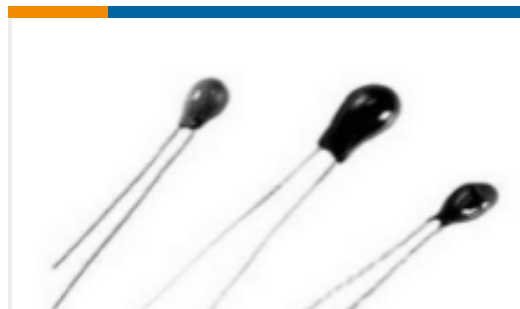


High Voltage Relays(38)

## Customers Also Bought



TE Part #2-5499141-6  
A/L UNIV HDR 26P RA LG LAT BLUE



TE Part #11028730-00  
44030RC,THERM,ROHS



TE Part #3-1879449-9  
TE 400W 1K5 5% Bracket



TE Part #7-1618387-1  
LEV200A5ANA=RELAY, SPST-NO



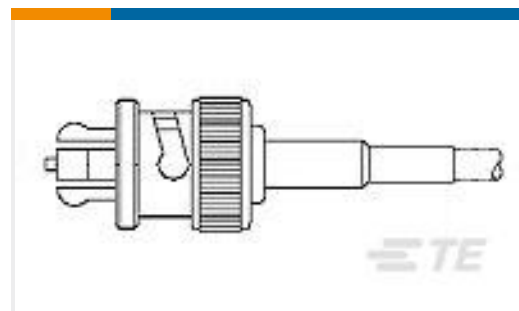
TE Part #207365-7  
METRIMATE PIN HEADER ASSY,3P



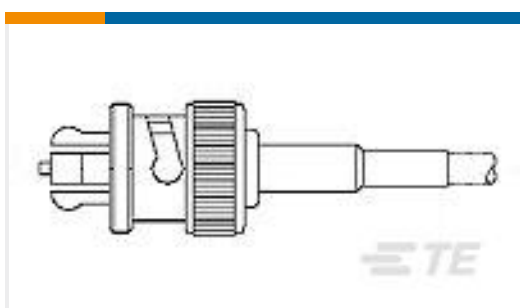
TE Part #1623776-2  
MPC5 100R 5%



TE Part #1623776-9  
MPC5 200R 5%



TE Part #5051426-4  
SAFE HIGH VOLTAGE PLUG



TE Part #51426-2  
SAFE HIGH VOLTAGE PLUG

## Documents

[CAD Files](#)

[3D PDF](#)

[3D](#)

[Customer View Model](#)

[ENG\\_CVM\\_CVM\\_5-1618239-0\\_R.2d\\_dxf.zip](#)

English

[Customer View Model](#)

[ENG\\_CVM\\_CVM\\_5-1618239-0\\_R.3d\\_igs.zip](#)



English

**Customer View Model**

[ENG\\_CVM\\_CVM\\_5-1618239-0\\_R.3d\\_stp.zip](#)

English

By downloading the CAD file I accept and agree to the [Terms and Conditions](#) of use.

**Datasheets & Catalog Pages**

[5-1773450-5\\_sec7\\_K41](#)

English