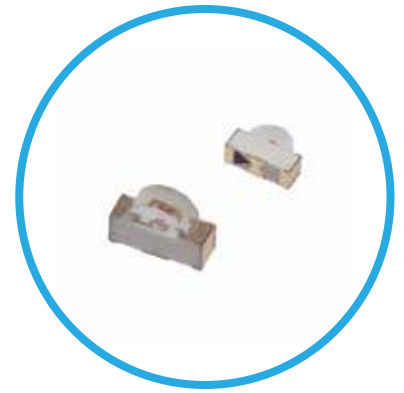


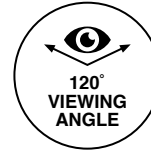
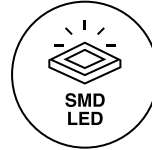
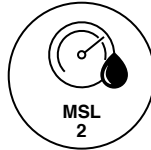
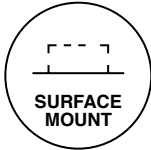
CMD12-21 Series

1204 Package Size

Surface Mount Technology LED



Right Angle SMD LED in a 1204 dome lens with high intensity light output and clear non-diffused lens.



Applications

- Wearable and Portable Devices
- Automotive Features
- Navigations Systems
- Home and Smart Appliance
- Backlit Keypads
- Medical Devices
- Health Care Application
- IoT
- Status Indicator

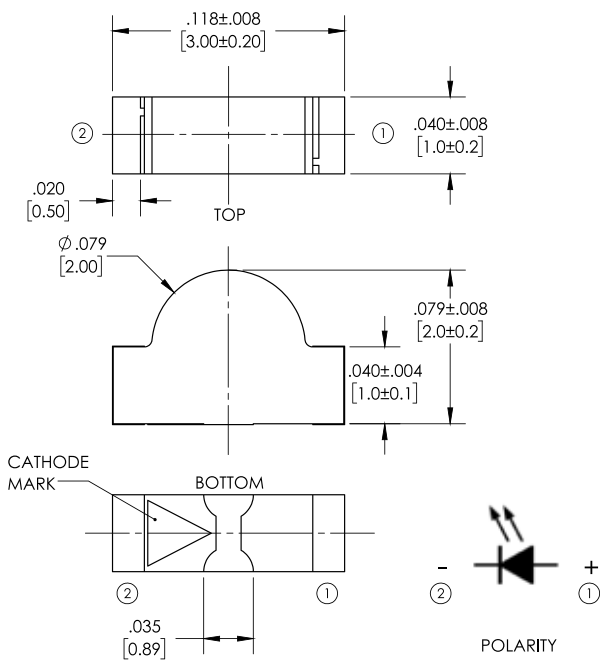
Key Features

- Surface mount technology
- 1204 LED package size
- Available colors: red, green and yellow
- Tape and reel packaged for high-speed auto insertion
- Convection and vapor-phase reflow compatible
- Compact form enables high density placement
- Packaged 2000 pieces per reel
- Viewing angle: 120°
- Consistent high brightness
- Integral lensing for narrow angle light dispersion
- Stringent process controls assure quality
- Extensive qualification testing to meet strictest requirements
- Designed to permit easy post-reflow solder joint inspection • MSL Rating 2
- Mono color type
- PB free
- For custom LED color contact VCC
- RoHS and REACH Compliant

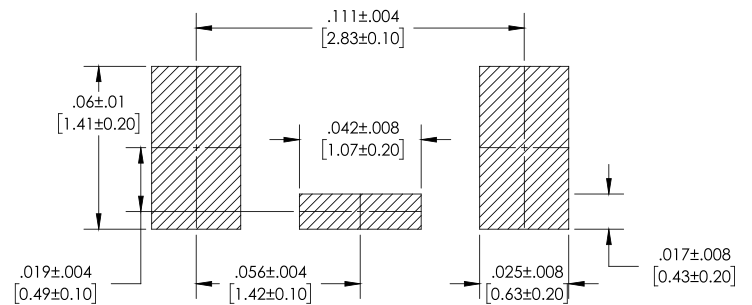
Ordering Data

Series	Emitted Color/Lens Color
CMD12-21	UGC/TR8
SRC/TR8	Super Red/Clear
VRC/TR8	High Efficiency (H.E.) Red/Clear
VYC/TR8	Yellow/Clear
VGC/TR8	Green/Clear
UGC/TR8	Green/Clear

Product Dimensions



Recommended Soldering Pad



Notes:

1. All dimensions are in inches (mm)
2. Tolerance is ± 0.1 mm unless otherwise noted.
3. The specifications, characteristics and technical data described in the datasheet are subject to change without prior notice.

Product Specifications

Electrical-Optical Characteristics

Part Number	Emitted Color	Lens Color	Viewing Angle	Luminous Intensity		Forward Voltage		Test Current (mA)	Peak Wavelength (nm)
				Min. (mcd)	Typ. (mcd)	Typ. (V)	Max. (V)		
CMD12-21SRC/TR8	Super Red	Clear	120°	14.5	24.5	1.7	2.4	20	660
CMD12-21VRC/TR8	H.E.Red*	Clear	120°	3.0	5.0	2.0	2.8	20	640
CMD12-21VYC/TR8	Yellow	Clear	120°	4.5	6.0	2.0	2.4	20	585
CMD12-21VGC/TR8	Green	Clear	120°	13	19	2.0	2.4	20	575
CMD12-21UGC/TR8	Green	Clear	120°	9.0	15.0	2.1	2.8	20	570

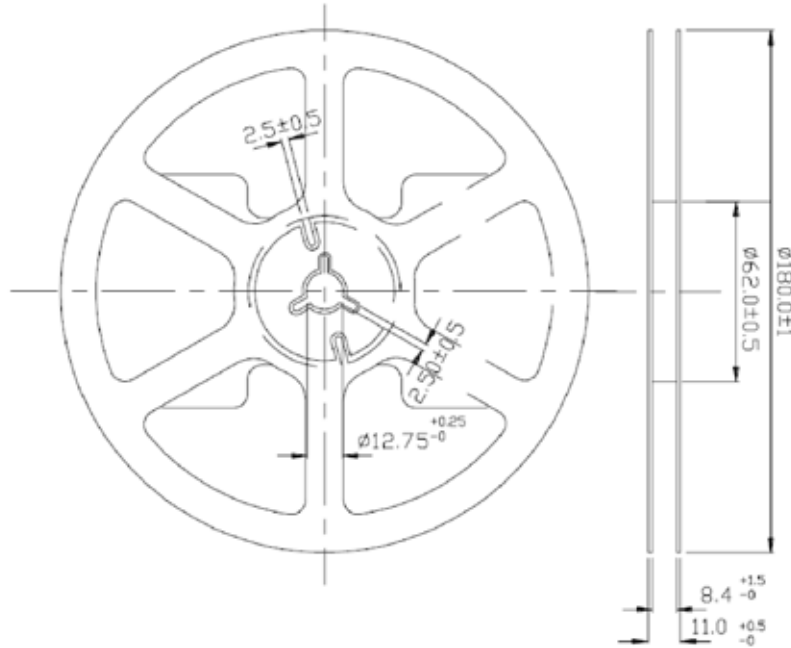
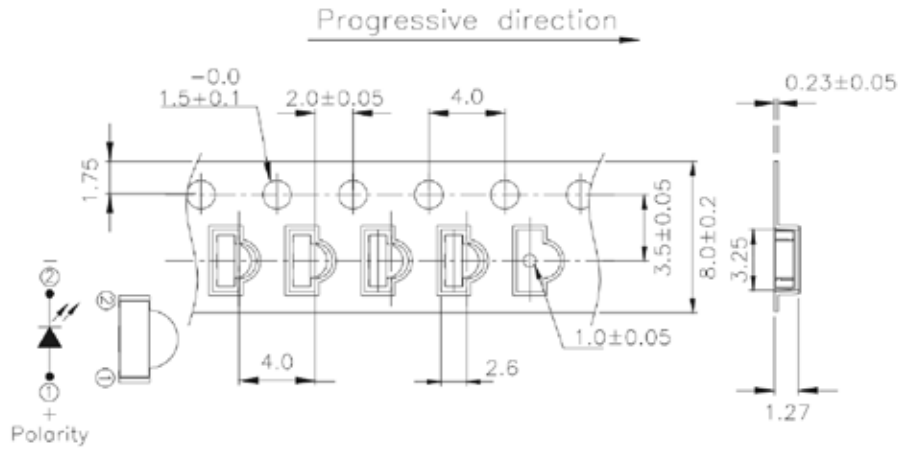
*High Efficiency Red

Absolute Maximum Ratings

Emitted Color	Reverse Voltage (IR=100µA) (V)	Average Forward Current (mA)	Peak Forward Current (1 µs @ 10% duty cycle) (mA)	Power Dissipation (mW)	Operating Temperature (°C)	Storage Temperature (°C)	Lead Solder Time at 260°C (Seconds)
Super Red	5.0	40	180	110	-40 to +85	-40 to +90	5
H.E.Red*	5.0	30	150	105	-40 to +85	-40 to +85	5
Yellow	5.0	30	160	100	-40 to +85	-40 to +90	5
Green (VGC)	5.0	25	150	60	-40 to +85	-40 to +90	10
Green (UGC)	5.0	25	150	105	-40 to +85	-40 to +85	5

*High Efficiency Red

Tape and Reel Specifications



2000 pieces per reel

Notes:

1. All dimensions are in inches (mm)
2. Tolerance is $\pm 0.1\text{mm}$ unless otherwise noted.
3. The specifications, characteristics and technical data described in the datasheet are subject to change without prior notice.

Compliances and Approvals

