

max. 480 m³/h

DC Axial Fans

Series 6200 N 172 Ø x 51 mm



Highlights:

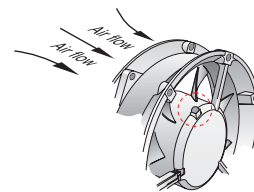
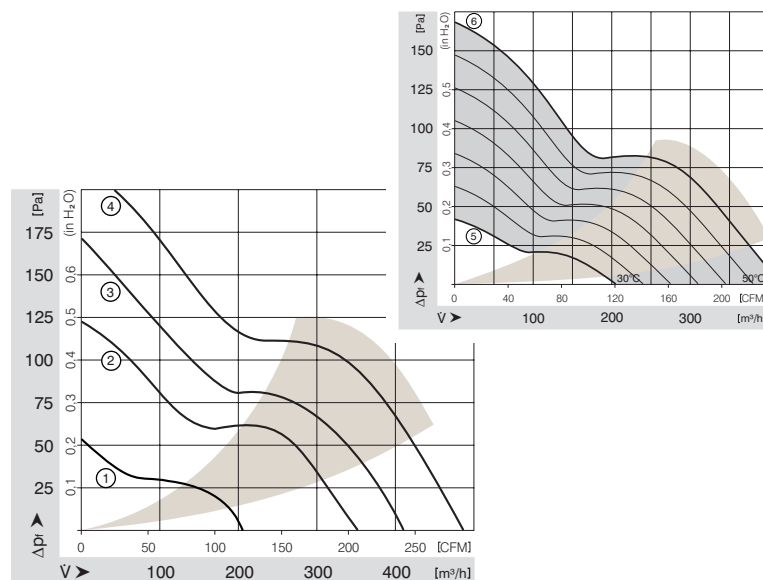
- VARIOFAN models available with external temperature sensor.
- Optional Vario-Pro: Highly adaptable software configuration of the fan enables a tailor-made solution to the specific requirements of your applications.

General characteristics:

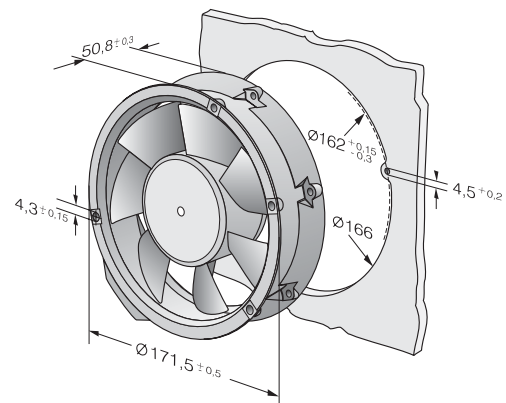
- Material: aluminium housing, fiberglass-reinforced PA impeller; housing with grounding lug for screw M4 x 8 (Torx). 48 V version incl. screws.
- Fully integrated electronic commutation.
- Protected against reverse polarity and blocking.
- Electrical connection with flat pin terminals 3 x 0.5 mm. Optional: Version with leads.
- Blowing over struts. Rotational direction CCW looking at rotor.
- Mass: 820 g.

Nominal Data		Air Flow	Air Flow	Nominal Voltage	Voltage Range	Noise	Sound Power	Sinter-Sleeve Bearings Ball Bearings	Power Input	Nominal Speed	Temperature Range	Service Life L ₁₀ (40 °C) ebm-papst Standard	Service Life L ₁₀ (T _{max}) ebm-papst Standard	Life expectancy L ₁₀ (Δ 40 °C)	Curve	Specials
Type		m ³ /h	CFM	V DC	V DC	dB(A)	Bel	□/■	Watt	min ⁻¹	°C	Hours	Hours	Hours		
6212 NM		350	206.0	12	8...15	50	5.7	■	12.0	2 850	-20...+72	80 000 / 37 500	157 500	2		
6224 NM		350	206.0	24	12...32	50	5.7	■	12.0	2 850	-20...+72	80 000 / 37 500	157 500	2	/12	
6224 N		410	241.3	24	12...28	55	6.1	■	18.0	3 400	-20...+72	75 000 / 35 000	125 000	3	2/12/19	
6224 NH		480	282.5	24	12...28	61	6.9	■	26.0	4 000	-20...+55*	70 000 / 50 000	110 000	4		
6248 NL		205	120.7	48	28...60	35	4.5	■	4.0	1 700	-20...+72	86 000 / 40 000	167 500	1		
6248 NM		350	206.0	48	28...60	50	5.7	■	11.5	2 850	-20...+72	80 000 / 37 500	157 500	2		
6248 N		410	241.3	48	28...60	55	6.1	■	17.0	3 400	-20...+72	75 000 / 35 000	125 000	3	2/12	
6248 NH		480	282.5	48	36...56	61	6.9	■	26.0	4 000	-20...+55*	70 000 / 50 000	110 000	4		
VARIOFAN – DC fans with temperature-dependent speed control.																
30°C	6224 NT	205	120.7	24	12...28	35	4.5	■	8.5	1 700	-10...+72	77 500 / 35 000	125 000	5		
50°C		410	241.3			55	6.1		18.0	3 400						
30°C	6248 NT	205	120.7	48	28...60	35	4.5	■	8.5	1 700	-10...+72	77 500 / 35 000	125 000	5		
50°C		410	241.3			55	6.1		17.0	3 400						

* 72 °C upon on request.



Temperature sensor (NTC-resistor) for controlling the motor speed is positioned directly in the air flow.



Mouser Electronics

Authorized Distributor

Click to View Pricing, Inventory, Delivery & Lifecycle Information:

[ebm-papst:](#)

[6224N](#) [6212NM](#) [6224NH](#) [6248NM](#) [6248N](#) [6248NL](#)