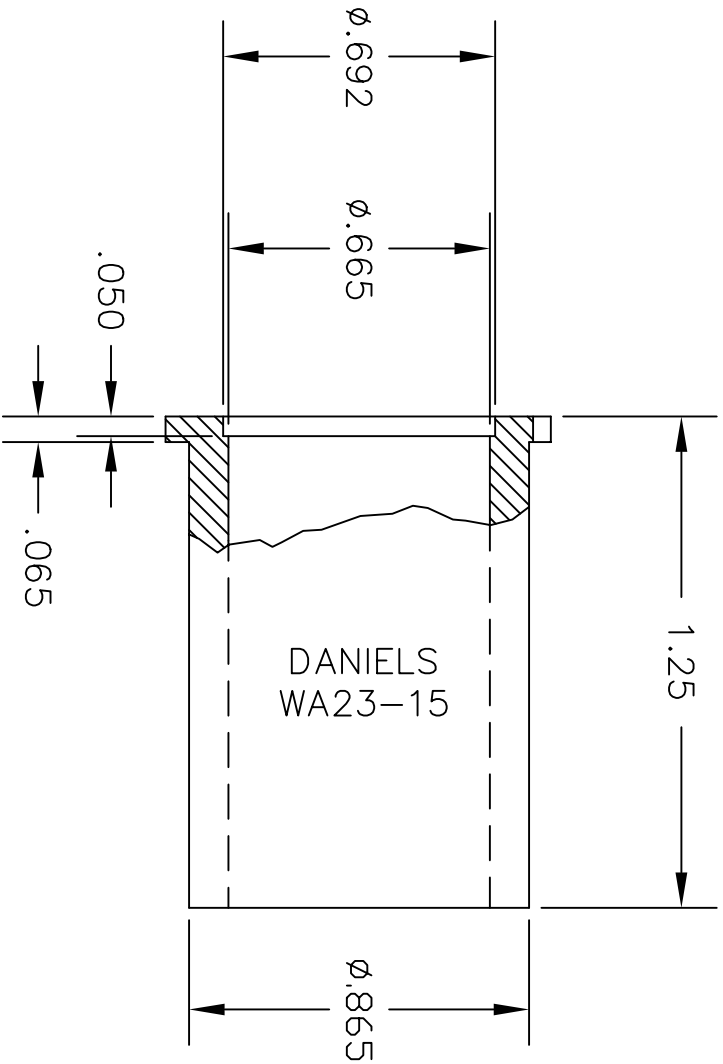
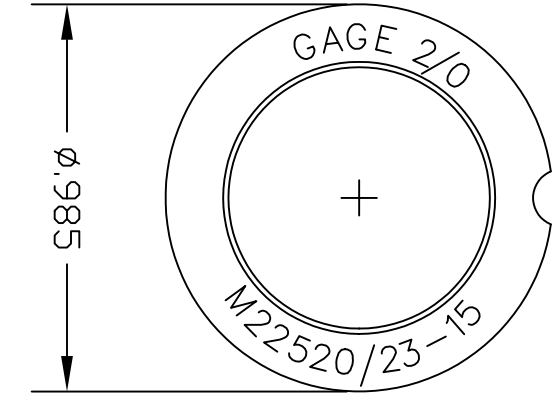


**UNCONTROLLED DOCUMENT  
WILL NOT BE UPDATED**

REVISIONS		REV.	E.C.O. NUMBER	DESCRIPTION	BY DATE	APP'D DATE
1				ORIGINAL RELEASE	JWJ 2/13/04	RRR 2/13/04



<p style="text-align: center;"><b>RESTRICTED &amp; CONFIDENTIAL</b></p> <p style="text-align: center;">CONFIDENTIAL PROPERTY OF DANIELS MANUFACTURING CORP. NOT TO BE DISCLOSED TO OTHERS, REPRODUCED OR USED FOR ANY OTHER PURPOSE, EXCEPT AS AUTHORIZED IN WRITING BY DANIELS MANUFACTURING. MUST BE RETURNED TO DANIELS MANUFACTURING CORP. ON COMPLETION OF ORDER OR OTHER PURPOSE FOR WHICH LENT.</p>		MATERIAL		ITEM		PART NO.		QTY.		DESCRIPTION/REMARKS	
		HEAT TREAT		DRN.	DATE	DATE	DATE	DATE	DATE	DATE	<p style="text-align: center;"><b>DANIELS MANUFACTURING CORP.</b> ORLANDO, FLORIDA CAGE 11851</p>
FINISH		CHK'D.	DATE	APP'D.	DATE	TITLE		WHERE USED:		CAD P/N	SHEET OF
DO NOT SCALE DRAWING		RRR	2/13/04		2/13/04	LOCATOR ENVELOPE DRAWING		A NTS		WA23-15-ENV	1
		NOTE: THIS DRAWING IS AN OUTLINE DRAWING OF THE RESPECTIVE DMC PART NUMBER INDICATED. ACTUAL DMC PART NUMBER IS DRAWING NUMBER WITHOUT THE "-ENV" SUFFIX.		APP'D.	DATE			POSTING	WA23-15-ENV	1	REV.
											1

# Mouser Electronics

Authorized Distributor

Click to View Pricing, Inventory, Delivery & Lifecycle Information:

[Daniels Manufacturing:](#)

[WA23-15](#)