

Customer Information Sheet

DRAWING No.: M80-400000F1-XX-XXX-00-000

IF IN DOUBT - ASK

©

NOT TO SCALE

THIRD ANGLE PROJECTION

ALL DIMENSIONS IN mm

SPECIFICATIONS:

MATERIAL:
 MOULDING: GLASS FILLED PPS, UL94V-0, BLACK
 COAX CONTACT:
 BODY, SLEEVE, END PLUG = COPPER ALLOY
 INNER CONTACT, LATCHING COLLAR = BERYLLIUM COPPER
 INSULATOR = PTFE
 JACKSCREW, CIRCLIP = STAINLESS STEEL

FINISH:
 COAX CONTACT
 BODY, SLEEVE, INNER CONTACT, END PLUG = GOLD
 LATCHING COLLAR: = NICKEL

ELECTRICAL:
 INSULATION RESISTANCE = 100MΩ MIN
 COAX CONTACT:
 FREQUENCY RANGE = 6GHz
 IMPEDANCE = 50Ω
 V.S.W.R = 1.05 + (0.04 x FREQUENCY) GHz MAX
 CONTACT RESISTANCE = 6mΩ MAX

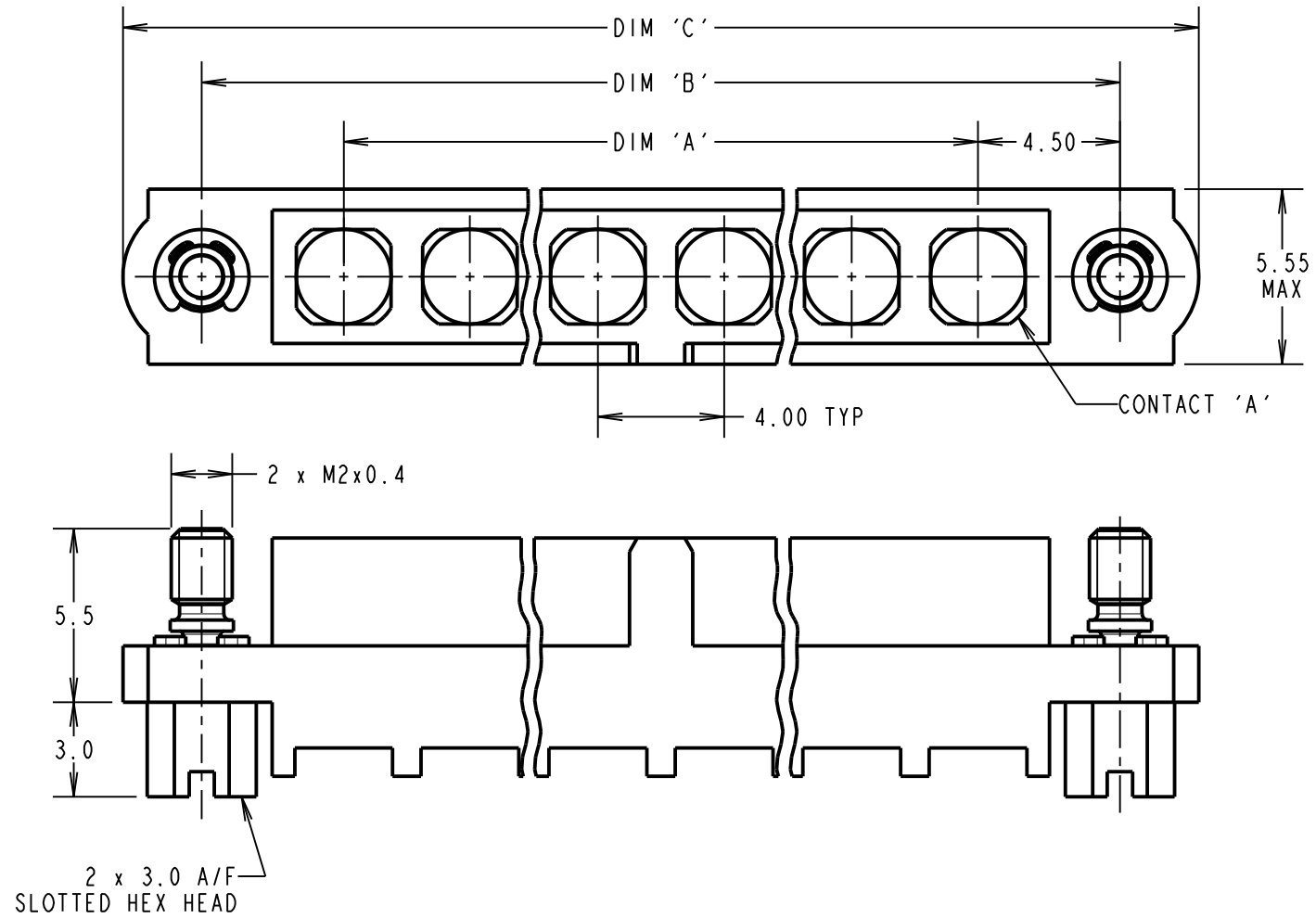
INSULATION RESISTANCE = 10⁶MΩ @250V AC
 OPERATING VOLTAGE = 180V AC @ 500mA
 MAXIMUM VOLTAGE = 1000V AC

MECHANICAL:
 DURABILITY = 500 OPERATIONS
 COAX CONTACT:
 INSERTION FORCE = 8N MAX
 WITHDRAWAL FORCE = 0.5N MIN

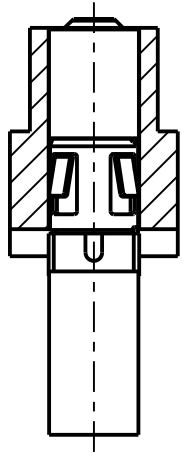
ENVIRONMENTAL:
 TEMPERATURE RANGE = -55°C TO +125°C

PACKING:
 BAG
 FOR COMPLETE SPECIFICATION SEE COMPONENT SPECIFICATION C005XX (LATEST ISSUE)

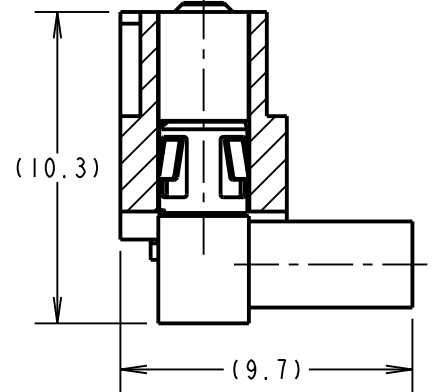
COAX CRIMP/SOLDER CONTACTS ONLY



M80-305/~~306~~/307
 x No. OF CONTACTS



M80-308/309
 x No. OF CONTACTS

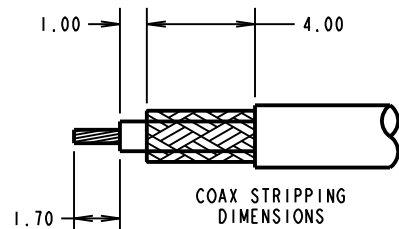
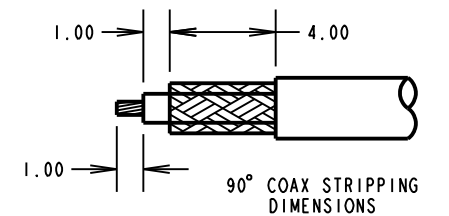
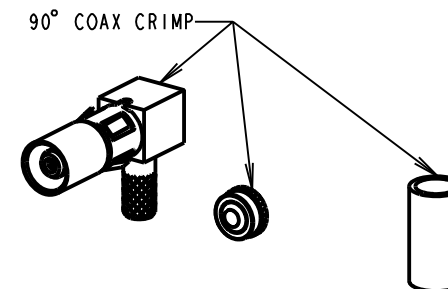
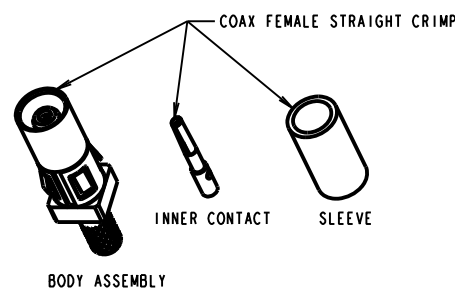
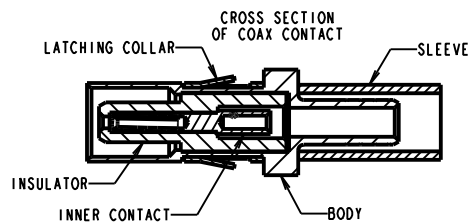


ORDER CODE: (COAX CRIMP/SOLDER)
M80-400000F1-XX-XXX-00-000

TOTAL No. OF CONTACTS
 02 TO 12

SPECIAL CONTACTS

- 305 = COAX CONTACT CRIMP 2.0mm M80-305
- ~~306 = COAX CONTACT CRIMP 2.4mm M80-306~~
- 307 = COAX CONTACT CRIMP 2.7mm M80-307
- 308 = 90° COAX CONTACT CRIMP/SOLDER 2.0mm M80-308
- 309 = 90° COAX CONTACT CRIMP/SOLDER 2.7mm M80-309



NOTES:

1. CONNECTORS ARE SUPPLIED WITH CONTACTS LOOSE.
2. COAX CONTACT IS SUPPLIED AS A KIT OF PARTS: BODY, INSULATOR AND LATCHING COLLAR ARE PRE-ASSEMBLED. SLEEVE AND INNER CONTACT ARE SEPARATE.
3. FOR EXTRA COAX CONTACTS, USE PART NUMBER M80-305/~~306~~/307/308/309
4. RECOMMENDED HAND CRIMP TOOL FOR COAX INNER CONTACT = Z80-292 WITH POSITIONER Z80-291 AND RECOMMENDED HAND CRIMP TOOL AND DIE SET FOR COAX SLEEVE = Z80-293.
5. COAX CONTACT EXTRACTION TOOL = Z80-290.
6. INSTRUCTION SHEETS ARE AVAILABLE.

| | | | |
|----------------|------|----------|--------|
| MGP | 9 | 04.12.19 | 21540 |
| NAME | ISS. | DATE | C/NOTE |
| APPROVED: MGP | | | |
| CHECKED: MR | | | |
| DRAWN: R.ADDE | | | |
| CUSTOMER REF.: | | | |
| ASSEMBLY DRG: | | | |

| DIMENSION | CALCULATION |
|-----------|----------------------------|
| DIM 'A' | 4 x No. OF CONTACTS - 4.00 |
| DIM 'B' | 4 x No. OF CONTACTS + 5.00 |
| DIM 'C' | 4 x No. OF CONTACTS + 10.0 |

EXAMPLE: CONNECTOR WITH 08 COAX CONTACTS,
 M80-400000F1-08-305-00-000
 DIM 'A' = 28.00mm, DIM 'B' = 37.00mm,
 DIM 'C' = 42.0mm

HARWIN

www.harwin.com
 technical@harwin.com

THIS DRAWING AND ANY INFORMATION OR DESCRIPTIVE MATTER SET OUT HEREON ARE CONFIDENTIAL AND COPYRIGHT PROPERTY OF THE HARWIN GROUP AND MUST NOT BE DISCLOSED, LOANED, COPIED OR USED FOR MANUFACTURING, TENDERING OR FOR ANY OTHER PURPOSE WITHOUT THEIR WRITTEN PERMISSION.

TOLERANCES
 X. = ±1mm
 X.X = ±0.50mm
 X.XX = ±0.20mm
 X.XXX = ±0.01mm
 ANGLES = ±5°
 UNLESS STATED

MATERIAL:
 SEE ABOVE
FINISH: SEE ABOVE
S/AREA: mm²

TITLE: DATAMATE MIX-TEK FEMALE ASSEMBLY WITH JACKSCREW

DRAWING NUMBER: M80-400000F1-XX-XXX-00-000

SHT 5 OF 8

Customer Information Sheet

DRAWING No.: M80-400000F1-XX-XXX-00-000

IF IN DOUBT - ASK

©

NOT TO SCALE

THIRD ANGLE PROJECTION

ALL DIMENSIONS IN mm

SPECIFICATIONS:

MATERIAL:

MOULDING: GLASS FILLED PPS, UL94V-0, BLACK

POWER CONTACT:

BODY = COPPER ALLOY
LATCHING COLLAR = BERYLLIUM COPPER
JACKSCREW, CIRCLIP = STAINLESS STEEL

FINISH:

POWER CONTACT:
BODY, SLEEVE, INNER CONTACT, END PLUG = GOLD
LATCHING COLLAR = NICKEL

ELECTRICAL:

WORKING VOLTAGE = 800V AC/DC
VOLTAGE PROOF = 1200V AC/DC
INSULATION RESISTANCE = 100MΩ MIN

POWER CONTACT:

CONTACT RESISTANCE = 6mΩ MAX
CURRENT RATING = M80-325 = 20A MAX WITH 12AWG
M80-326 = 15A MAX WITH 14AWG
M80-327 = 10A MAX WITH 16AWG
M80-328 = 8A MAX WITH 18AWG
M80-329 = 5A MAX WITH 20AWG
M80-32A = 20A MAX WITH 12AWG
M80-32B = 15A MAX WITH 14AWG
M80-32C = 10A MAX WITH 16AWG
M80-PF5 = 40A MAX WITH 10AWG
CONTACT AS SPECIFIED

MECHANICAL:

DURABILITY = 500 OPERATIONS

POWER CONTACT:

INSERTION FORCE:
M80-325/326/327/328/329/
32A/32B/32C = 8N MAX
M80-PF5 = 15N MAX
WITHDRAWAL FORCE = 0.5N MIN

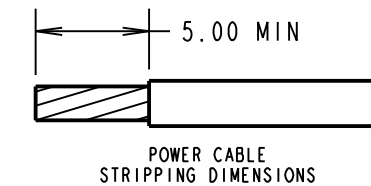
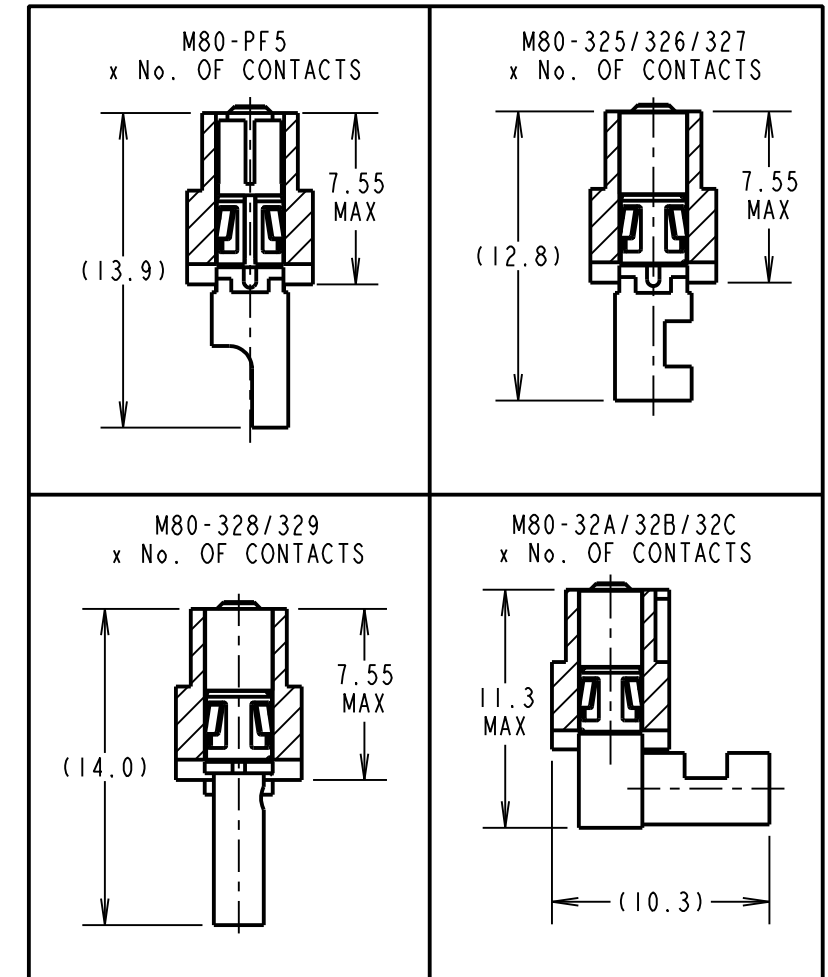
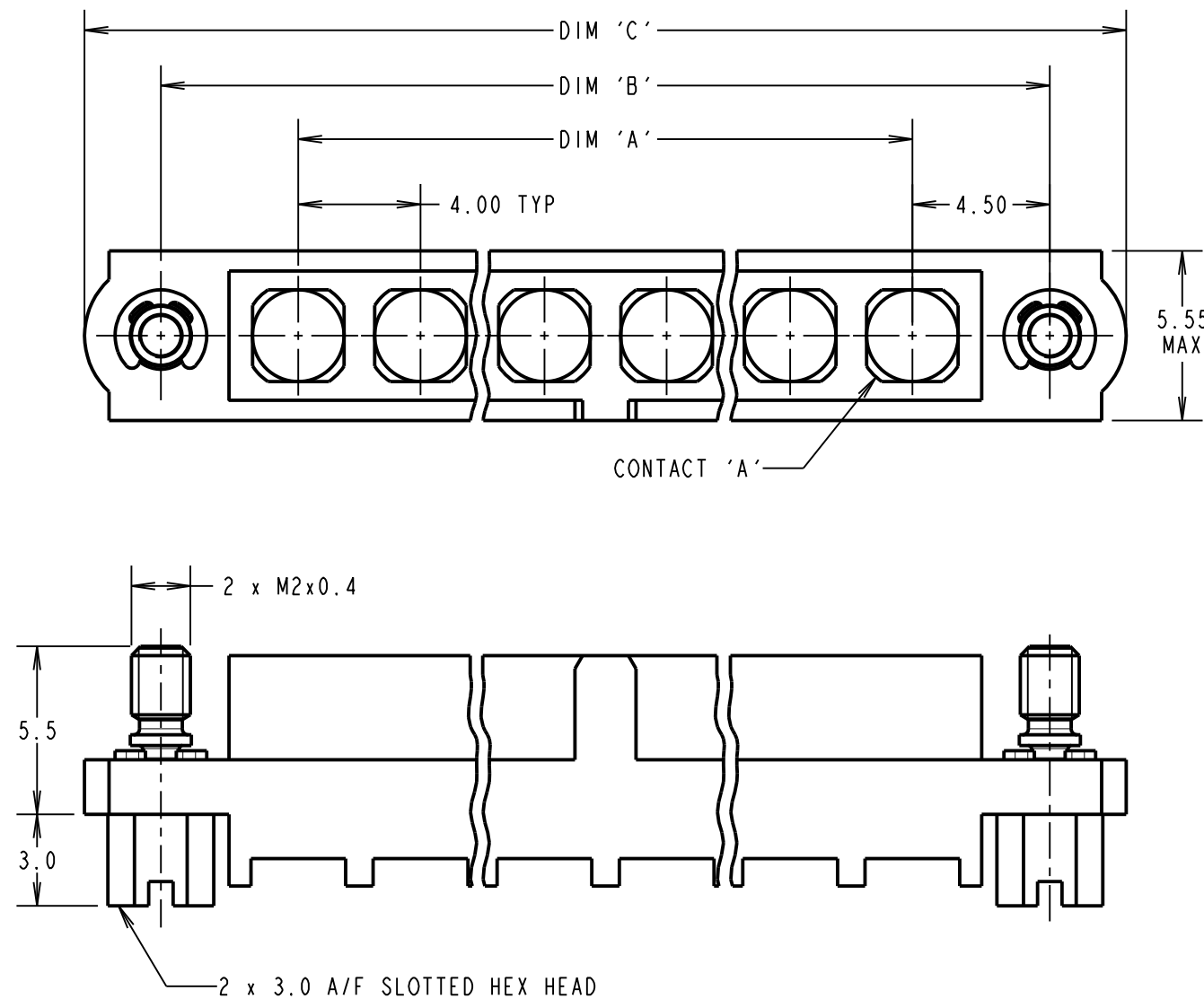
ENVIRONMENTAL:

TEMPERATURE RANGE:
M80-325/326/327/328/329/
32A/32B/32C = -55°C TO +125°C
M80-PF5 = -55°C TO +150°C

PACKING:

BAG
FOR COMPLETE SPECIFICATION SEE COMPONENT SPECIFICATION C005XX (LATEST ISSUE)

POWER CRIMP AND SOLDER CONTACTS ONLY



| DIMENSION | CALCULATION |
|-----------|----------------------------|
| DIM 'A' | 4 x No. OF CONTACTS - 4.00 |
| DIM 'B' | 4 x No. OF CONTACTS + 5.00 |
| DIM 'C' | 4 x No. OF CONTACTS + 10.0 |

EXAMPLE: CONNECTOR WITH 10 POWER CONTACTS,
M80-400000F1-10-325-00-000
DIM 'A' = 36.00mm, DIM 'B' = 45.00mm,
DIM 'C' = 50.0mm

NOTES:

- CONNECTORS ARE SUPPLIED WITH CONTACTS LOOSE.
- FOR EXTRA POWER CONTACTS, USE PART NUMBER M80-325/326/327/328/329/32A/32B/32C/PF5.
- POWER AND CONTACT EXTRACTION TOOL = Z80-290.
- INSTRUCTION SHEETS ARE AVAILABLE.
- RECOMMENDED HAND CRIMP TOOL FOR INNER COAX CONTACT = Z80-292 WITH POSITIONER Z80-291. RECOMMENDED HAND CRIMP TOOL AND DIE SET FOR SLEEVE = Z80-293.

ORDER CODE: (POWER CRIMP/SOLDER)
M80-400000F1-XX-XXX-00-000

TOTAL No. OF CONTACTS _____
02 TO 12

SPECIAL CONTACTS

- 325 = POWER CONTACT SOLDER 12AWG M80-325
- 326 = POWER CONTACT SOLDER 14AWG M80-326
- 327 = POWER CONTACT SOLDER 16AWG M80-327
- 328 = POWER CONTACT SOLDER OR CRIMP 18AWG M80-328
- 329 = POWER CONTACT SOLDER OR CRIMP 20AWG M80-329
- 32A = 90° POWER CONTACT SOLDER 12AWG M80-32A
- 32B = 90° POWER CONTACT SOLDER 14AWG M80-32B
- 32C = 90° POWER CONTACT SOLDER 16AWG M80-32C
- PF5 = POWER CONTACT SOLDER 10AWG M80-PF5

HARWIN

www.harwin.com
technical@harwin.com

THIS DRAWING AND ANY INFORMATION OR DESCRIPTIVE MATTER SET OUT HEREON ARE CONFIDENTIAL AND COPYRIGHT PROPERTY OF THE HARWIN GROUP AND MUST NOT BE DISCLOSED, LOANED, COPIED OR USED FOR MANUFACTURING, TENDERING OR FOR ANY OTHER PURPOSE WITHOUT THEIR WRITTEN PERMISSION.

TOLERANCES
X. = ±1mm
X.X = ±0.50mm
X.XX = ±0.20mm
X.XXX = ±0.01mm
ANGLES = ±5°
UNLESS STATED

MATERIAL:

SEE ABOVE

FINISH:

SEE ABOVE

S/AREA:

mm²

TITLE:

DATAMATE MIX-TEK
FEMALE ASSEMBLY
WITH JACKSCREW

DRAWING NUMBER:

M80-400000F1-XX-XXX-00-000

SHT
6 OF 8

| | | | |
|----------------|------|----------|--------|
| MGP | 9 | 04.12.19 | 21540 |
| NAME | ISS. | DATE | C/NOTE |
| APPROVED: MGP | | | |
| CHECKED: MR | | | |
| DRAWN: R.ADDE | | | |
| CUSTOMER REF.: | | | |
| ASSEMBLY DRG: | | | |

Customer Information Sheet

DRAWING No.: M80-400000F1-XX-XXX-00-000

IF IN DOUBT - ASK

©

NOT TO SCALE

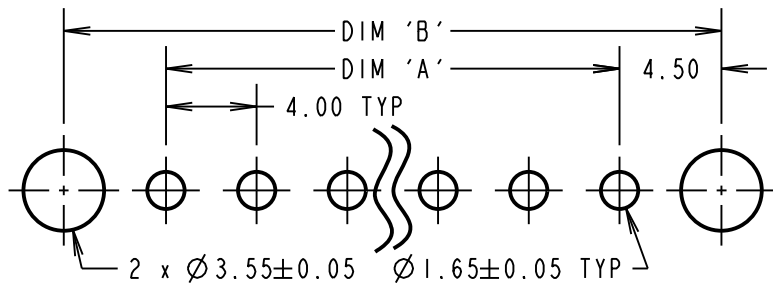
THIRD ANGLE PROJECTION

ALL DIMENSIONS IN mm

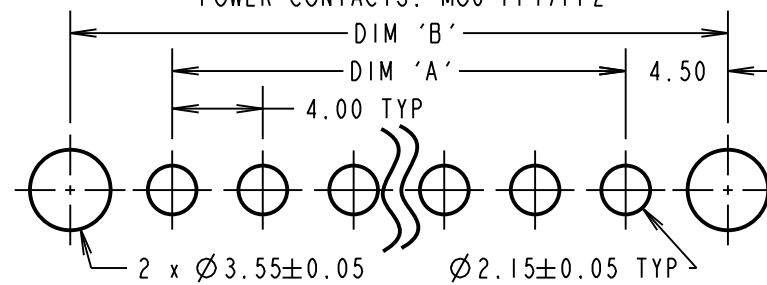
SPECIFICATIONS:

MATERIAL:
 MOULDING: GLASS FILLED PPS, UL94V-0, BLACK
 POWER CONTACT: COPPER ALLOY
 COAX CONTACT:
 BODY = COPPER ALLOY
 INNER CONTACT = COPPER ALLOY
 INSULATOR = PTFE
 JACKSCREW, CIRCLIP = STAINLESS STEEL
FINISH:
 POWER CONTACT: GOLD
 COAX CONTACT: BODY, INNER CONTACT = GOLD
ELECTRICAL:
 WORKING VOLTAGE = 800V AC/DC
 VOLTAGE PROOF = 1200V AC/DC
 INSULATION RESISTANCE = 100MΩ MIN
POWER CONTACT:
 CONTACT RESISTANCE = 6mΩ MAX
 CURRENT RATING:
 M80-321/322 = 20A MAX
 M80-PF1/PF2 = 40A MAX
COAX CONTACT:
 FREQUENCY RANGE = 6GHz
 IMPEDANCE = 50Ω
 V.S.W.R = 1.05 + (0.04 x FREQUENCY) GHz MAX
 CONTACT RESISTANCE = 6mΩ MAX
 INSULATION RESISTANCE = 10⁶MΩ @250V AC
 OPERATING VOLTAGE = 180V AC @ 500mA
 MAXIMUM VOLTAGE = 1000V AC
MECHANICAL:
 DURABILITY = 500 OPERATIONS
POWER CONTACT:
 INSERTION FORCE:
 M80-321/322 = 8N MAX
 M80-PF1/PF2 = 15N MAX
 WITHDRAWAL FORCE = 0.5N MIN
COAX CONTACT:
 INSERTION FORCE = 8N MAX
 WITHDRAWAL FORCE = 0.5N MIN
ENVIRONMENTAL:
 TEMPERATURE RANGE:
 M80-301/302/321/322 = -55°C TO +125°C
 M80-PF1/PF2 = -55°C TO +150°C
PACKING:
 TUBE
 FOR COMPLETE SPECIFICATION SEE COMPONENT SPECIFICATION C005XX (LATEST ISSUE)

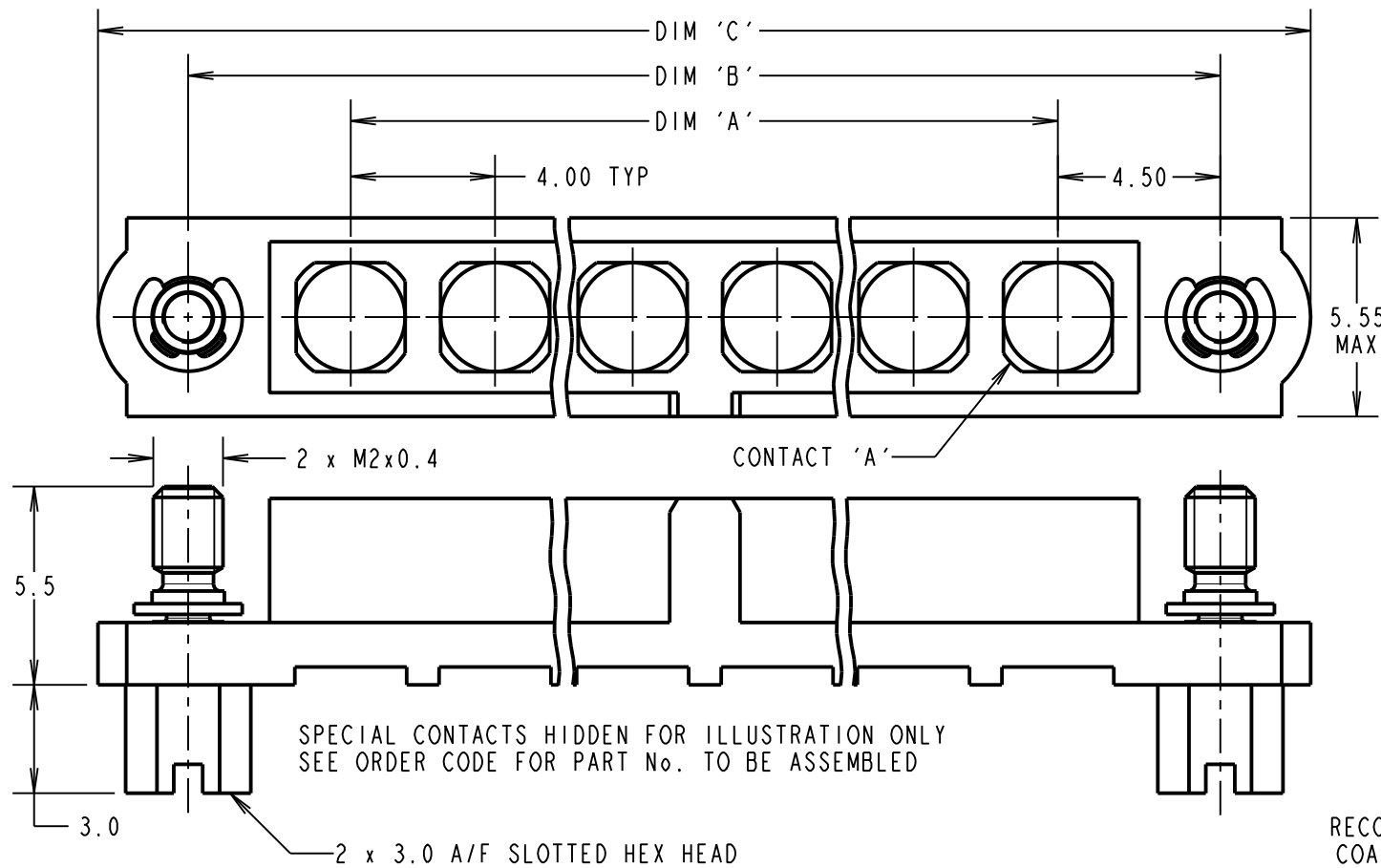
RECOMMENDED PCB LAYOUT FOR POWER CONTACTS: M80-321/322



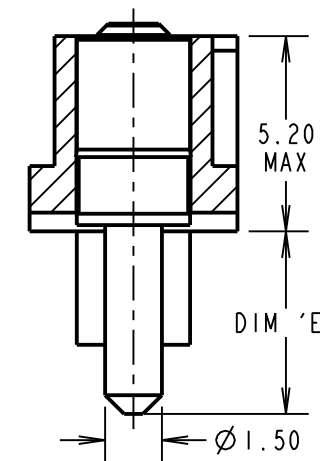
RECOMMENDED PCB LAYOUT FOR POWER CONTACTS: M80-PF1/PF2



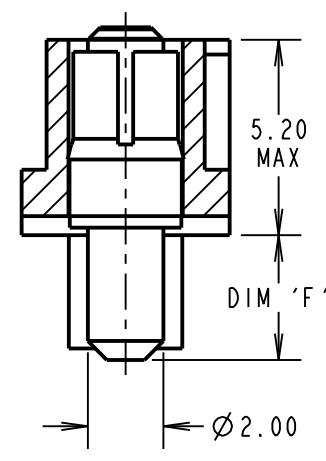
VERTICAL PC TAIL CONTACTS ONLY



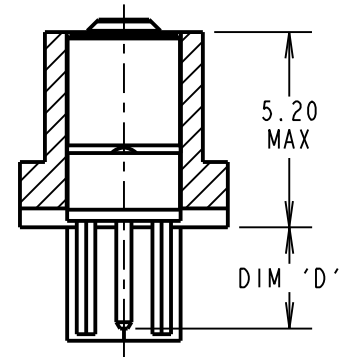
M80-321/322 x No. OF CONTACTS



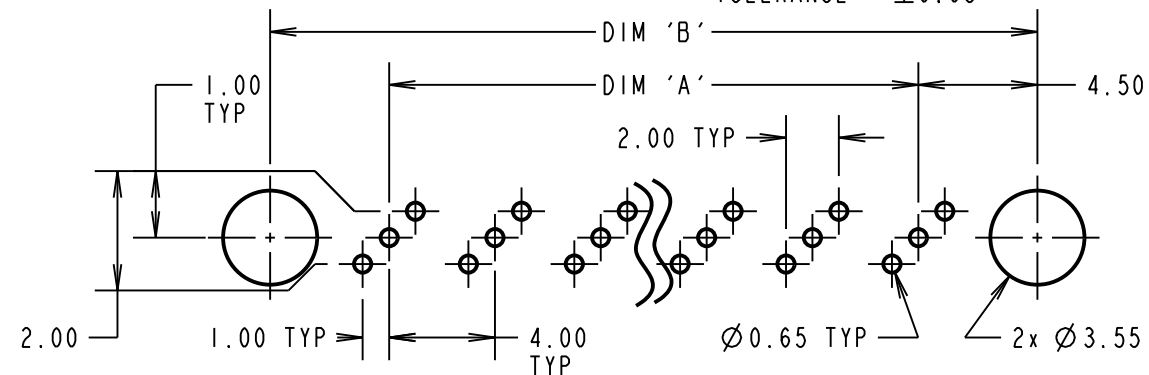
M80-PF1/PF2 x No. OF CONTACTS



M80-301/302 x No. OF CONTACTS



RECOMMENDED PCB LAYOUT FOR COAX CONTACTS: M80-301/302
 TOLERANCE = ±0.05



ORDER CODE:
 (COAX PC TAIL VERTICAL CONTACTS ONLY)
M80-400000F1-XX-XXX-00-000

TOTAL No. OF CONTACTS
 02 TO 12

SPECIAL CONTACTS
 301 = COAX CONTACT PC TAIL 3.0mm M80-301
 302 = COAX CONTACT PC TAIL 4.5mm M80-302
 321 = 20A POWER CONTACT PC TAIL 3.5mm M80-321
 322 = 20A POWER CONTACT PC TAIL 5.0mm M80-322
 PF1 = 40A POWER CONTACT PC TAIL 3.5mm M80-PF1
 PF2 = 40A POWER CONTACT PC TAIL 5.0mm M80-PF2

| DIMENSION | CALCULATION |
|-----------|------------------------------------|
| DIM 'A' | 4 x No. OF CONTACTS - 4.00 |
| DIM 'B' | 4 x No. OF CONTACTS + 5.00 |
| DIM 'C' | 4 x No. OF CONTACTS + 10.0 |
| DIM 'D' | M80-301 = 3.00mm, M80-302 = 4.50mm |
| DIM 'E' | M80-321 = 3.50mm, M80-322 = 5.00mm |
| DIM 'F' | M80-PF1 = 3.50mm, M80-PF2 = 5.00mm |

EXAMPLE 1: CONNECTOR WITH 08 COAX CONTACTS,
 M80-400000F1-08-301-00-000
 DIM 'A' = 28.00mm, DIM 'B' = 37.00mm,
 DIM 'C' = 42.0mm, DIM 'D' = 3.00mm

| | | | |
|----------------|------|----------|--------|
| MGP | 9 | 04.12.19 | 21540 |
| NAME | ISS. | DATE | C/NOTE |
| APPROVED: MGP | | | |
| CHECKED: MR | | | |
| DRAWN: R. ADDE | | | |
| CUSTOMER REF.: | | | |
| ASSEMBLY DRG: | | | |

HARWIN

www.harwin.com
 technical@harwin.com

THIS DRAWING AND ANY INFORMATION OR DESCRIPTIVE MATTER SET OUT HEREON ARE CONFIDENTIAL AND COPYRIGHT PROPERTY OF THE HARWIN GROUP AND MUST NOT BE DISCLOSED, LOANED, COPIED OR USED FOR MANUFACTURING, TENDERING OR FOR ANY OTHER PURPOSE WITHOUT THEIR WRITTEN PERMISSION.

TOLERANCES
 X. = ±1mm
 X.X = ±0.50mm
 X.XX = ±0.20mm
 X.XXX = ±0.01mm
 ANGLES = ±5°
 UNLESS STATED

MATERIAL:
 SEE ABOVE
 FINISH: SEE ABOVE
 S/AREA: mm²

TITLE: DATAMATE MIX-TEK FEMALE ASSEMBLY WITH JACKSCREW

DRAWING NUMBER: **M80-400000F1-XX-XXX-00-000**

SHT 7 OF 8

Customer Information Sheet

DRAWING No.: M80-400000FI-XX-XXX-00-000

IF IN DOUBT - ASK

©

NOT TO SCALE

THIRD ANGLE PROJECTION

ALL DIMENSIONS IN mm

SPECIFICATIONS:

MATERIAL:
 MOULDING: GLASS FILLED PPS, UL94V-0, BLACK
 POWER CONTACT: COPPER ALLOY
 JACKSCREW, CIRCLIP: STAINLESS STEEL

FINISH:
 POWER CONTACT:
 20A = 0.25µm MIN GOLD OVER NICKEL
 40A = 0.76µm MIN GOLD OVER NICKEL

ELECTRICAL:
 WORKING VOLTAGE = 800V AC/DC
 VOLTAGE PROOF = 1200V AC/DC
 INSULATION RESISTANCE = 100MΩ MIN

POWER CONTACT:
 CONTACT RESISTANCE = 6mΩ MAX
CURRENT RATING:
 M80-323/324 = 20A MAX
 M80-PF4/PF4 = 40A MAX

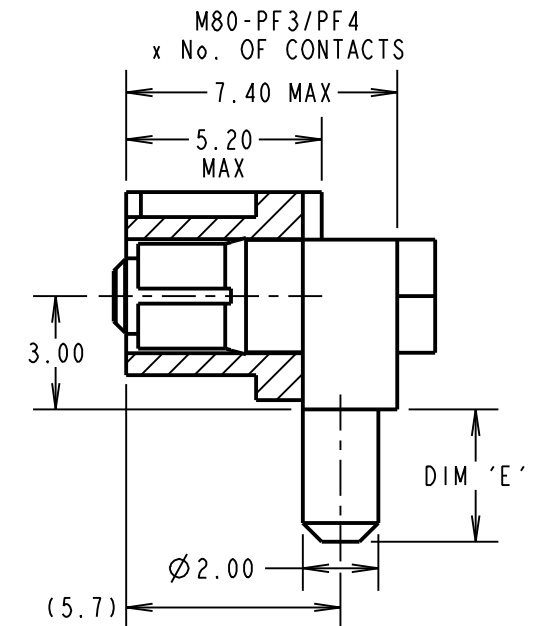
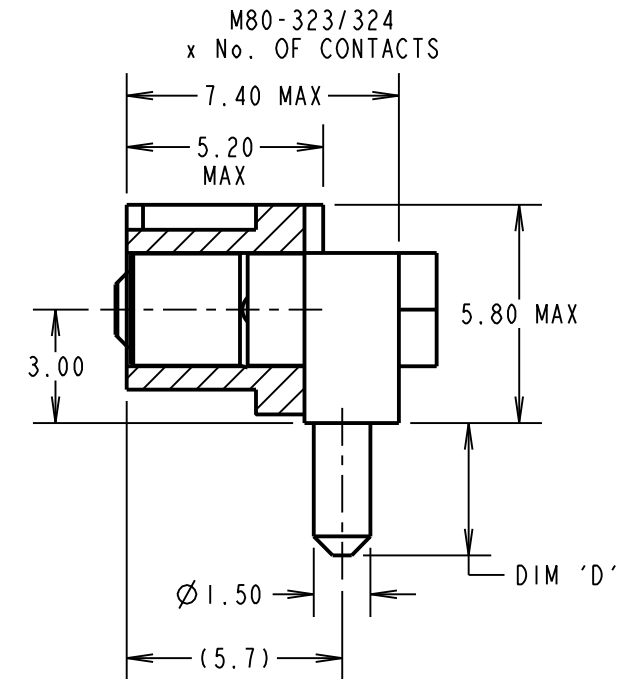
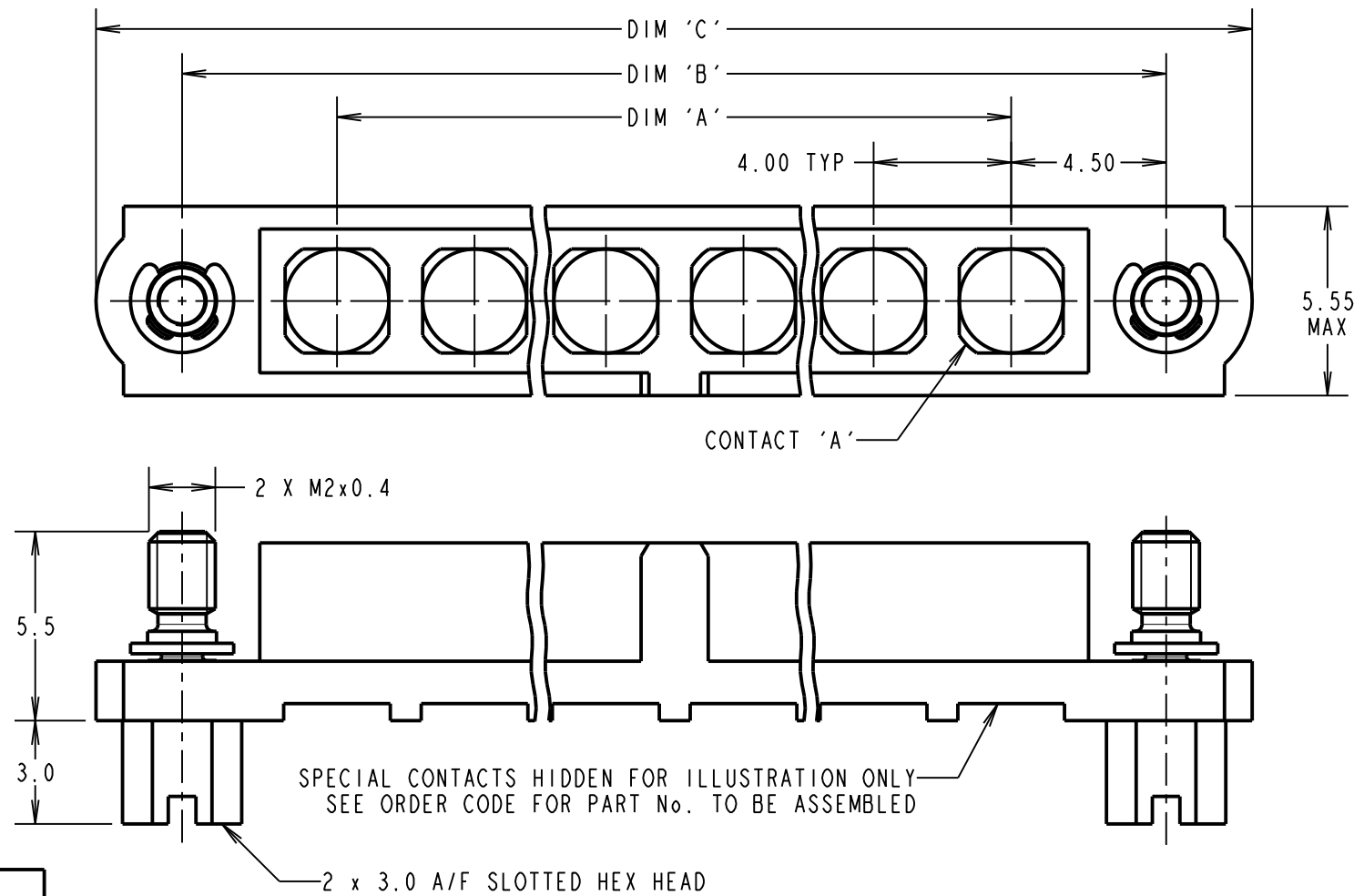
MECHANICAL:
 DURABILITY = 500 OPERATIONS

POWER CONTACT:
 INSERTION FORCE:
 M80-323/324 = 8N MAX
 M80-PF3/PF4 = 15N MAX
 WITHDRAWAL FORCE = 0.5N MIN

ENVIRONMENTAL:
 TEMPERATURE RANGE = -55°C TO +150°C

PACKING:
 TUBE
 FOR COMPLETE SPECIFICATION SEE COMPONENT SPECIFICATION C005XX (LATEST ISSUE)

HORIZONTAL POWER PC TAIL CONTACTS ONLY



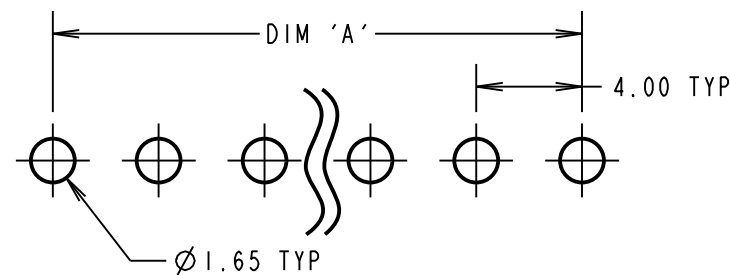
ORDER CODE:
 (POWER PC TAIL HORIZONTAL CONTACTS ONLY)

M80-400000FI-XX-XXX-00-000

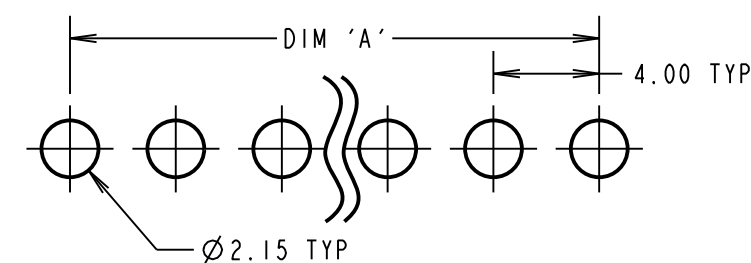
TOTAL No. OF CONTACTS
 02 TO 12

SPECIAL CONTACTS
 323 = 20A POWER CONTACT PC TAIL 3.5mm M80-323
 324 = 20A POWER CONTACT PC TAIL 5.0mm M80-324
 PF3 = 40A POWER CONTACT PC TAIL 3.5mm M80-PF3
 PF4 = 40A POWER CONTACT PC TAIL 5.0mm M80-PF4

RECOMMENDED PCB LAYOUT FOR
 POWER CONTACTS: M80-323/324
 TOLERANCE = ±0.05



RECOMMENDED PCB LAYOUT FOR
 POWER CONTACTS: M80-PF3/PF4
 TOLERANCE = ±0.05



| DIMENSION | CALCULATION |
|-----------|------------------------------------|
| DIM 'A' | 4 x No. OF CONTACTS - 4.00 |
| DIM 'B' | 4 x No. OF CONTACTS + 5.00 |
| DIM 'C' | 4 x No. OF CONTACTS + 10.0 |
| DIM 'D' | M80-323 = 3.50mm, M80-324 = 5.00mm |
| DIM 'E' | M80-PF3 = 3.50mm, M80-PF4 = 5.00mm |

EXAMPLE: CONNECTOR WITH 10 POWER CONTACTS,
 M80-400000FI-10-323-00-000
 DIM 'A' = 36.00mm, DIM 'B' = 45.00mm,
 DIM 'C' = 50.0mm, DIM 'D' = 3.50mm

| | | | |
|----------------|------|----------|--------|
| MGP | 9 | 04.12.19 | 21540 |
| NAME | ISS. | DATE | C/NOTE |
| APPROVED: MGP | | | |
| CHECKED: MR | | | |
| DRAWN: R.ADE | | | |
| CUSTOMER REF.: | | | |
| ASSEMBLY DRG: | | | |

HARWIN

www.harwin.com
 technical@harwin.com

THIS DRAWING AND ANY INFORMATION OR DESCRIPTIVE MATTER SET OUT HEREON ARE CONFIDENTIAL AND COPYRIGHT PROPERTY OF THE HARWIN GROUP AND MUST NOT BE DISCLOSED, LOANED, COPIED OR USED FOR MANUFACTURING, TENDERING OR FOR ANY OTHER PURPOSE WITHOUT THEIR WRITTEN PERMISSION.

TOLERANCES
 X. = ±1mm
 X.X = ±0.50mm
 X.XX = ±0.20mm
 X.XXX = ±0.01mm
ANGLES = ±5°
UNLESS STATED

MATERIAL:
 SEE ABOVE
FINISH: SEE ABOVE
S/AREA: mm²

TITLE: DATAMATE MIX-TEK FEMALE ASSEMBLY WITH JACKSCREW

DRAWING NUMBER: M80-400000FI-XX-XXX-00-000

SHT 8 OF 8

Mouser Electronics

Authorized Distributor

Click to View Pricing, Inventory, Delivery & Lifecycle Information:

Harwin:

[M80-4000000F1-06-325-00-000](#) [M80-4000000F1-08-325-00-000](#) [M80-4000000F1-10-325-00-000](#) [M80-4000000F1-04-325-00-000](#) [M80-4000000F1-02-325-00-000](#) [M80-4000000F1-08-305-00-000](#) [M80-4000000F1-04-326-00-000](#) [M80-4000000F1-04-305-00-000](#) [M80-4000000F1-06-PF5-00-000](#) [M80-4000000F1-04-PF5-00-000](#) [M80-4000000F1-06-327-00-000](#) [M80-4000000F1-02-PF5-00-000](#) [M80-4000000F1-04-328-00-000](#) [M80-4000000F1-10-PF5-00-000](#) [M80-4000000F1-08-PF5-00-000](#) [M80-4000000F1-02-329-00-000](#) [M80-4000000F1-08-322-00-000](#) [M80-4000000F1-08-321-00-000](#) [M80-4000000F1-08-307-00-000](#) [M80-4000000F1-02-327-00-000](#) [M80-4000000F1-02-32C-00-000](#) [M80-4000000F1-10-329-00-000](#) [M80-4000000F1-04-329-00-000](#) [M80-4000000F1-08-329-00-000](#) [M80-4000000F1-06-307-00-000](#) [M80-4000000F1-02-328-00-000](#) [M80-4000000F1-04-301-00-000](#) [M80-4000000F1-04-327-00-000](#) [M80-4000000F1-04-321-00-000](#) [M80-4000000F1-04-307-00-000](#)