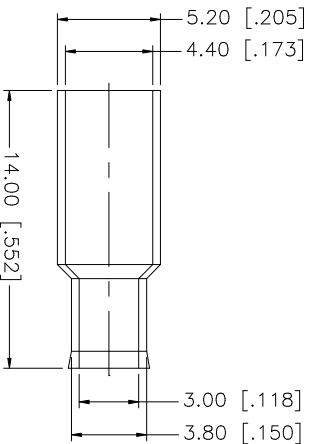
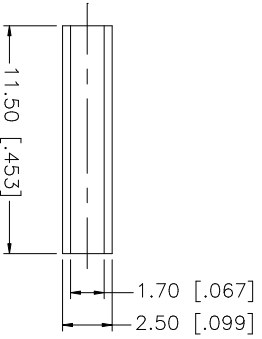
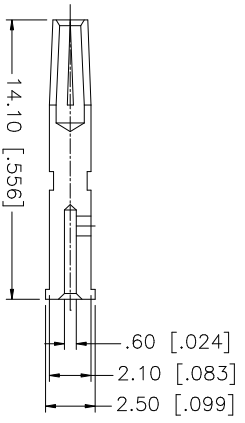
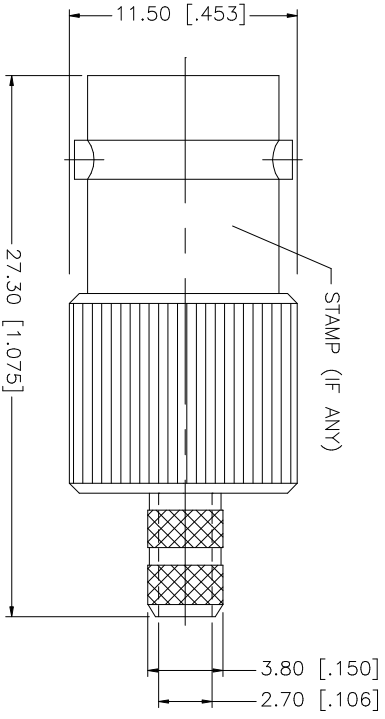
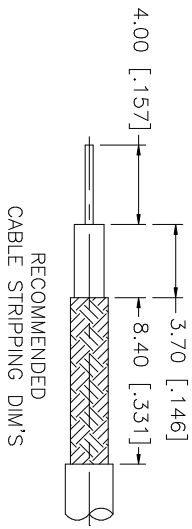


REV.	DATE	DESCRIPTION
B	04/04/03	UPDATE DRAWING FORMAT



- CRIMP NOTES:
1. CRIMPED FERRULE
HEX CRIMP SIZE .178"
 2. CRIMPED CONTACT PIN
HEX CRIMP SIZE .068"

NO.	DESCRIPTION	MATERIAL	FINISH	QTY	DO NOT SCALE DRAWING	APPROVALS	DATE	PART DESCRIPTION
8					UNLESS OTHERWISE SPECIFIED DIMENSIONS ARE IN MILLIMETERS. DIMENSIONS IN [] ARE IN INCHES AND FOR CUSTOMER REFERENCE ONLY.			Amphenol Connex BNC CRIMP JACK (FOR RG-174/U, 188A/U, 316/U CABLE)
7					UNLESS OTHERWISE SPECIFIED TOLERANCES FOR MILLIMETERS ARE:			
6					0.5 - 8mm ± 0.20mm			
5	FERRULE	BRASS	NICKEL	1	B - 30mm ± 0.40mm			
4	SLEEVE	DELRIIN	NATURAL	1	30 - 120mm ± 0.30mm			
3	CONTACT PIN	PHOS. BRONZE	GOLD	1	UNLESS OTHERWISE SPECIFIED TOLERANCES FOR INCHES ARE:			
2	INSULATOR	DELRIIN	NATURAL	1	.020 - .315 = ± 0.002"			
1	HOUSING/BODY	BRASS	NICKEL	1	.315 - 1.180 = ± 0.015" 1.180 - 4.724 = ± 0.020"			
DESCRIPTION								
CAD FILE								
C:/112/112160.DWG								
DWG. NO.								
112160.DWG								
REV.								
B								
SIZE								
A								
SCALE								
NA								

Mouser Electronics

Authorized Distributor

Click to View Pricing, Inventory, Delivery & Lifecycle Information:

[Amphenol:](#)

[112160](#)