

4

3

2

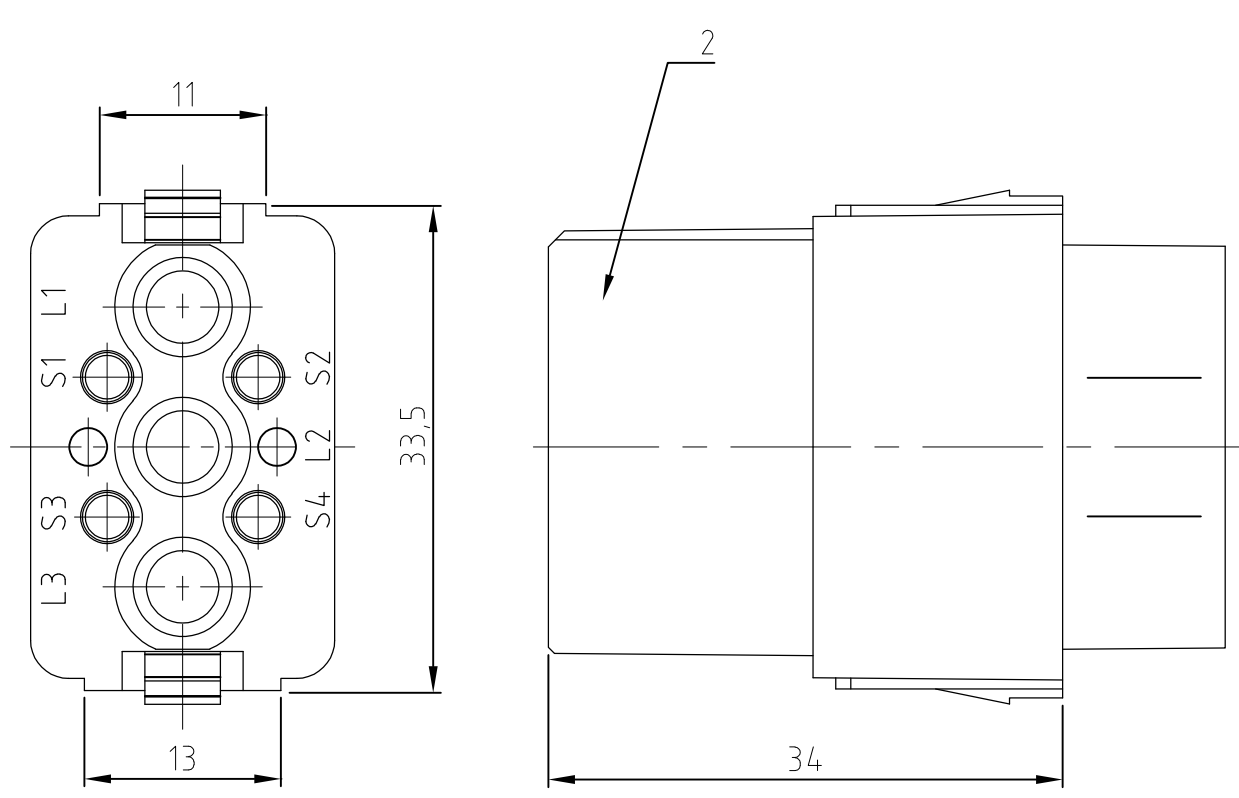
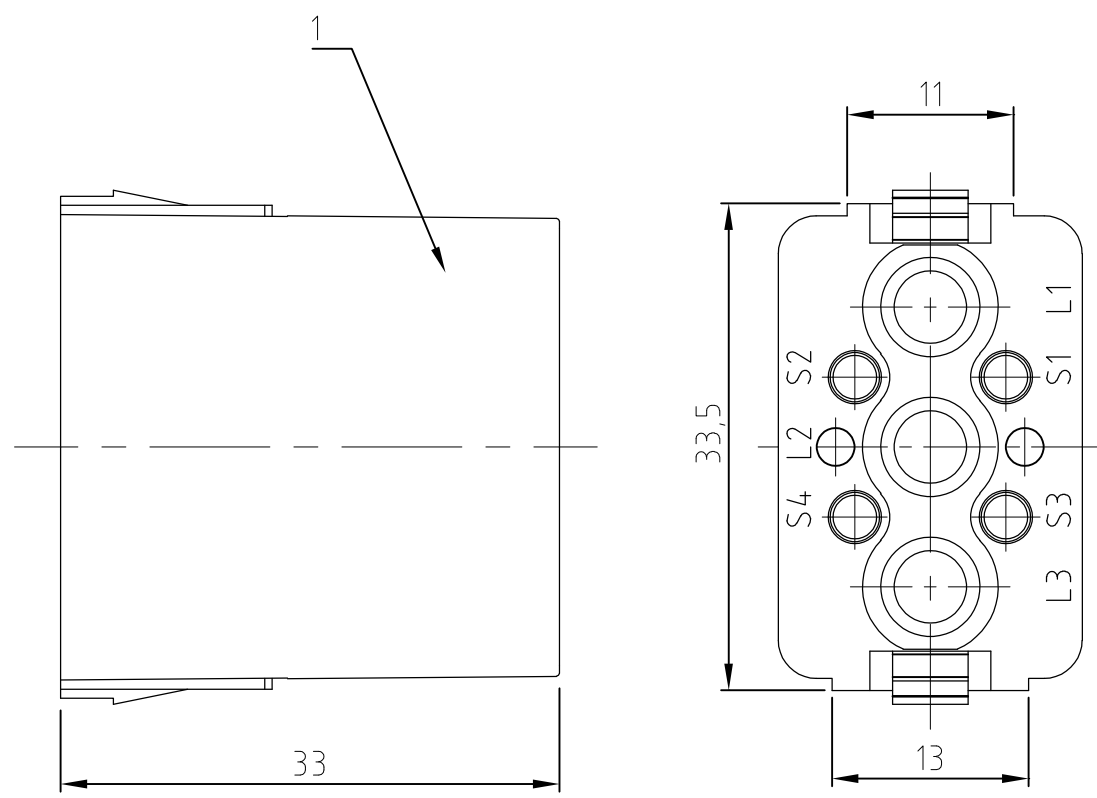
1

THIS DRAWING IS UNPUBLISHED. RELEASED FOR PUBLICATION
 © COPYRIGHT - BY TYCO ELECTRONICS CORPORATION. ALL INTERNATIONAL RIGHTS RESERVED.

LOC	DIST	REVISIONS				
P	LTR	DESCRIPTION	DATE	DWN	APVD	
A1	-	B1	Packaging box changed; ECR-07-027099	13.11.2007	ST	AR
		B2	REVISED PER ECO-11-002591	11FEB11	HMR	MM

MDL2 Pin

MDL2 Socket



1	-	Moduleinsatz Buchse/modul insert socket	PA66	natur	2	-
-	1	Moduleinsatz Stift/module insert pin	PA66	natur	1	-
0-2	0-1	DESCRIPTION / BENENNUNG	MATERIAL	COLOR /FARBE	ITEM NO. POS.	REMARKS / BEMERKUNG
MDL2.3+4.Bu.C	MDL2.3+4.Sti.C	ORDERING TEXT / BESTELLTTEXT	THIS DRAWING IS A CONTROLLED DOCUMENT.		DWN	25.09.2003
			DIMENSIONS: mm	TOLERANCES UNLESS OTHERWISE SPECIFIED: GENERAL TOLERANCES	CHK	25.09.2003
			TOLERANCES UNLESS OTHERWISE SPECIFIED: GENERAL TOLERANCES ISO 8015 ISO 2768 - M H - E DIN 16901 - 14,0 0 PLC ± 1 PLC ± 2 PLC ± 3 PLC ± PLC ANGLES ±		Schneider Baum Tyco Electronics Tyco Electronics Corporation Harrisburg, Pa 17105-3608	
			DIMENSIONS: mm 		NAME Module insert MDL2.3+4.Sti/Bu.C Moduleinsatz MDL2.3+4.Sti/Bu.C	
MATERIAL			FINISH		PRODUCT SPEC	SIZE
					APPLICATION SPEC	CAGE CODE
					WEIGHT	DRAWING NO
					23 / 17	RESTRICTED TO
					A3 00779	
					G-1103018	
			CUSTOMER DRAWING		SCALE	SHEET
					2:1	1 OF 1
					REV	B2

Mouser Electronics

Authorized Distributor

Click to View Pricing, Inventory, Delivery & Lifecycle Information:

[TE Connectivity:](#)

[1103018-1](#)