

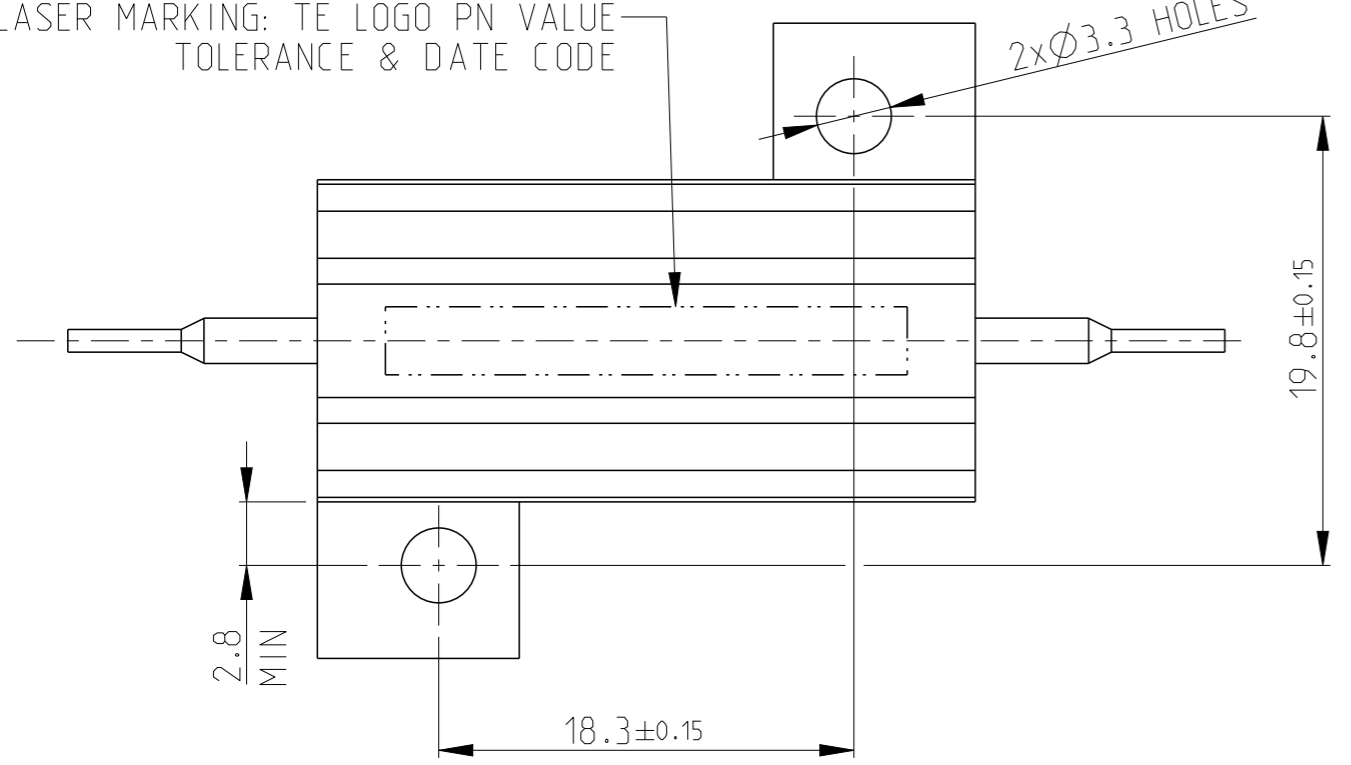
THIS DRAWING IS UNPUBLISHED. RELEASED FOR PUBLICATION OCT. 2005
 © COPYRIGHT 2005 BY - ALL RIGHTS RESERVED.

REVISIONS

P	LTR	DESCRIPTION	DATE	DWN	APVD
B1		Released as per ECR-08-022292	4-Sep-08	SP	JC
T		ECR-16-003733	12MAR2016	KR	TR

LASER MARKING: TE LOGO PN VALUE
TOLERANCE & DATE CODE

2xØ3.3 HOLES



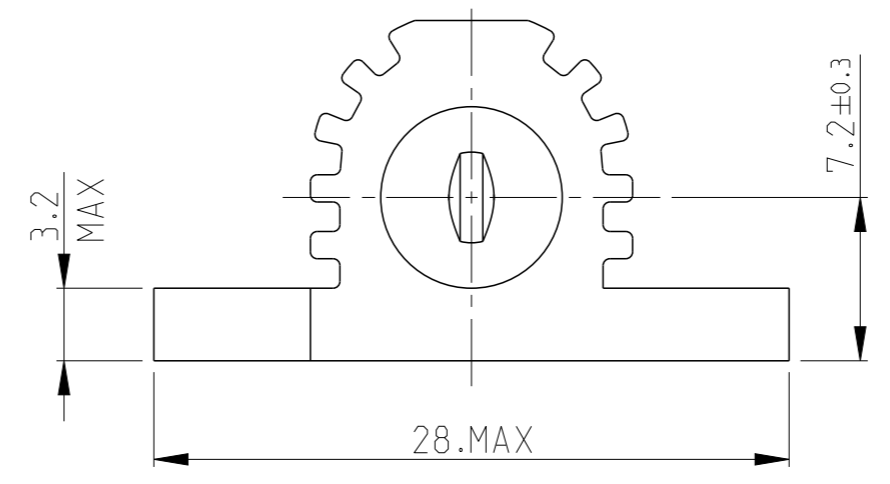
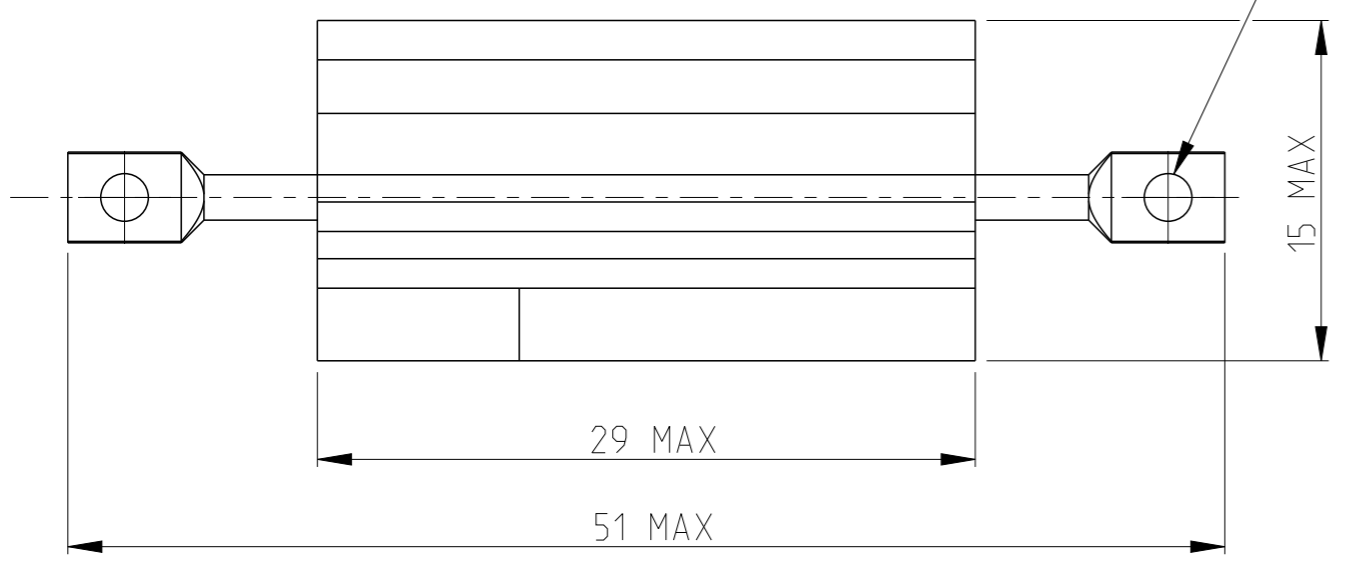
1 FOR FURTHER INFORMATION SEE DATA SHEET FOR HS SERIES-ALUMINIUM HOUSED RESISTORS

2 FOR A SPECIFIC PN FOR A RESISTANCE VALUE AND TOLERANCE, PLEASE REFER TO DMF

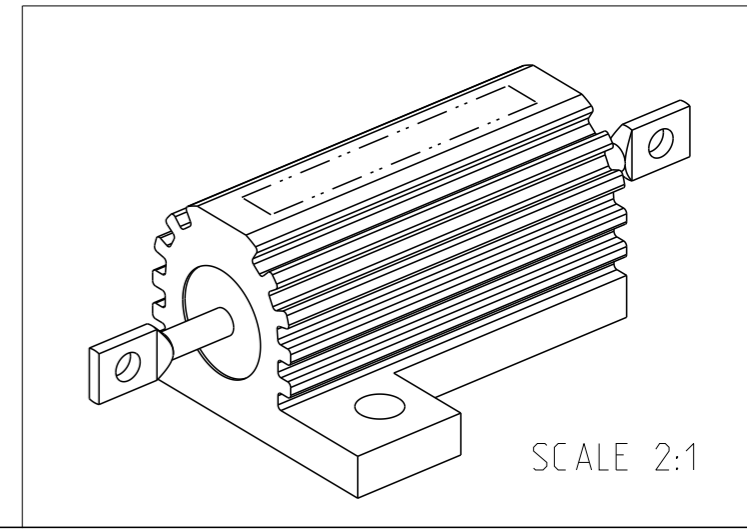
3 TECHNICAL SPECIFICATION


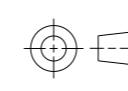
DISSIPATION AT 25°C : 25 WATTS MOUNTED ON STANDARD HEATSINK
 BS OHMIC RANGE : R051 TO 27K
 STABILITY : ΔR < =1% PER 1000Hrs
 ISOLATION VOLTAGE : 2500V DC/AC pk
 MAX WORKING VOLTAGE : 500V DC/AC rms
 TEMP COEFFICIENT : > 1R0 50ppm
 > 100R 25ppm
 CLIMATIC CATEGORY : 55/200/56

TAG HOLES Ø2/2.2



RoHS Compliant



THIS DRAWING IS A CONTROLLED DOCUMENT.		DWN	DAVE KENNEDY	30,SEP.05	 TE Connectivity NAME HSA25 METAL CLAD RESISTOR	
DIMENSIONS:		CHK	J CATCHPOLE	03.OCT.05		
mm		APVD	J CATCHPOLE	03.OCT.05		
		PRODUCT SPEC				
TOLERANCES UNLESS OTHERWISE SPECIFIED:		APPLICATION SPEC				
0 PLC ±0.5		WEIGHT				
1 PLC ±0.2		CUSTOMER DRAWING	SCALE	3:1	SHEET 1 OF 1	
2 PLC ±0.1			SIZE	A3	CAGE CODE	00779
3 PLC ±			DRAWING NO	C=1676625		
4 PLC ±			RESTRICTED TO			
ANGLES ±5°			REV	T		
MATERIAL						
material_2						
FINISH						
finish_spec_2						

Mouser Electronics

Authorized Distributor

Click to View Pricing, Inventory, Delivery & Lifecycle Information:

[TE Connectivity:](#)

[HSA255K6J](#)