

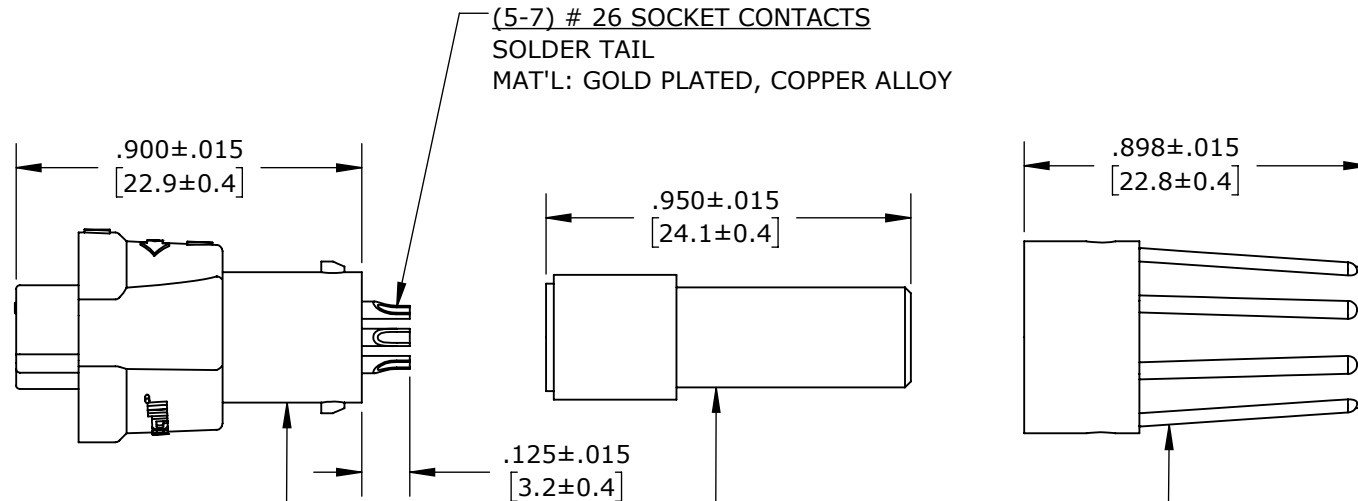
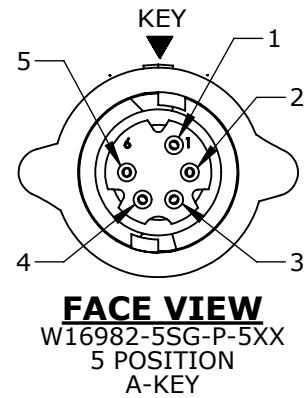
MFG. ENG.	APPROVED BY:	DATE:	QA	APPROVED BY:	DATE:
-----------	--------------	-------	----	--------------	-------

NOTES:

1. ALL PARTS ARE BULK PACKED.
2. REFER TO DRAWING HPMCSTD FOR CONTACT PATTERNS.
3. ALL DIMENSIONS ARE REFERENCE ONLY IN INCHES [mm], WITHIN ±0.015 UNLESS OTHERWISE NOTED.

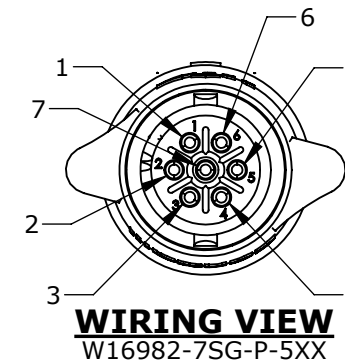
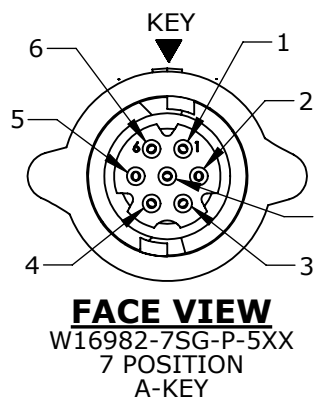
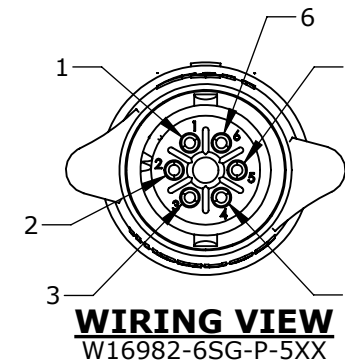
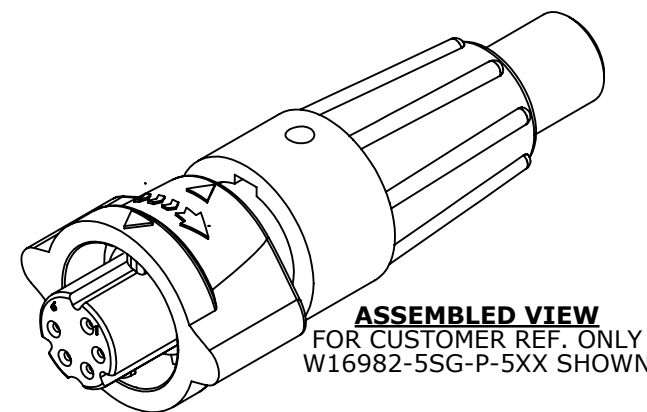
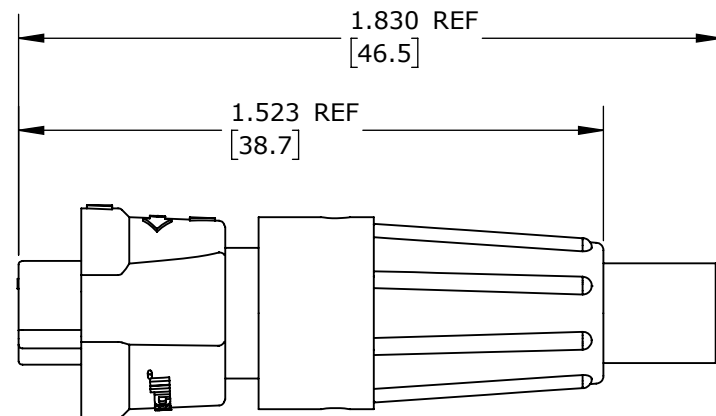
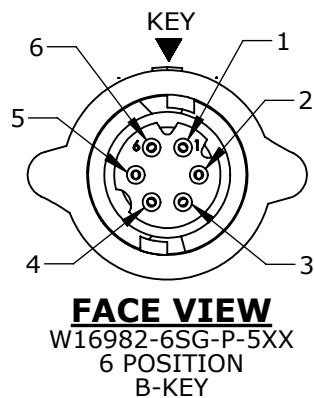
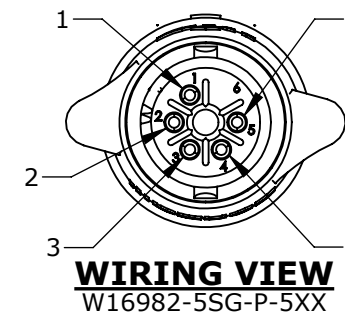
ASS'Y P/N	CONTACT QTY.	CABLE O.D. RANGE
W16982-5SG-P-518	5	0.18 - 0.20 [4.6 - 5.1]
W16982-5SG-P-521	5	0.21 - 0.22 [5.3 - 5.6]
W16982-5SG-P-522	5	0.22 - 0.23 [5.6 - 5.8]
W16982-6SG-P-518	6	0.18 - 0.20 [4.6 - 5.1]
W16982-6SG-P-521	6	0.21 - 0.22 [5.3 - 5.6]
W16982-6SG-P-522	6	0.22 - 0.23 [5.6 - 5.8]
W16982-7SG-P-518	7	0.18 - 0.20 [4.6 - 5.1]
W16982-7SG-P-521	7	0.21 - 0.22 [5.3 - 5.6]
W16982-7SG-P-522	7	0.22 - 0.23 [5.6 - 5.8]
W16982-XSG-P-5XX		

CUSTOMER PRINT



OF CONTACTS

GROMMET SIZE = CABLE O.D. RANGE:
518 = 0.18 - 0.20 [4.6 - 5.1]
521 = 0.21 - 0.22 [5.3 - 5.6]
522 = 0.22 - 0.23 [5.6 - 5.8]



CUSTOMER APPROVAL

THIS DOCUMENT CONTAINS CONFIDENTIAL INFORMATION PROPRIETARY TO CONXALL CORPORATION. ANY REPRODUCTION, DISCLOSURE, OR USE OF THIS DOCUMENT /INFORMATION IS EXPRESSLY PROHIBITED UNLESS AUTHORIZED IN WRITING BY CONXALL CORPORATION.

APPROVED BY: _____
DATE: _____

RoHS COMPLIANT

DIMENSIONS IS BRACKETS [] ARE METRIC

0A	JGK	9/09/19	DRAWING CREATED FOR PDR #18004.	
REV.	INIT.	DATE	DESCRIPTION	
	JGK	9/09/19	ORIG. DRAWN BY: DATE: 9/09/19	
ALL INFORMATION ILLUSTRATED IS THE PROPERTY OF CONXALL CORPORATION. UNAUTHORIZED DUPLICATION OR DISTRIBUTION OF THIS DOCUMENT IS PROHIBITED.			<p>601 E. WILDWOOD VILLA PARK, IL 60181</p>	
UNLESS OTHERWISE SPECIFIED TOLERANCES: 3 PLACE DECIMALS ±.005 ANGLES ±1° FRACTIONS ±1/16				
APPROVED BY:			TITLE: CABLE-END ASSEMBLY 5-7 #26 SOCKET CONTACTS, SOLDER INSTA-CLICK, MICRO-CON-X STANDARD PRODUCT	
SCALE	SIZE	SHEET	CUSTOMER:	
NTS	B	1 OF 1	PART NUMBER: W16982-XSG-P-5XX	
FILE:	DIRECTORY:	PART NUMBER:	REV	
W16982-XSG-P-5XX	SLW	0A		

PRELIMINARY

PART NUMBER: W16982-XSG-P-5XX

Mouser Electronics

Authorized Distributor

Click to View Pricing, Inventory, Delivery & Lifecycle Information:

Switchcraft:

[W16982-6SG-P-522](#) [W16982-5SG-P-518](#) [W16982-7SG-P-522](#) [W16982-7SG-P-518](#) [W16982-5SG-P-522](#) [W16982-7SG-P-521](#) [W16982-6SG-P-518](#)