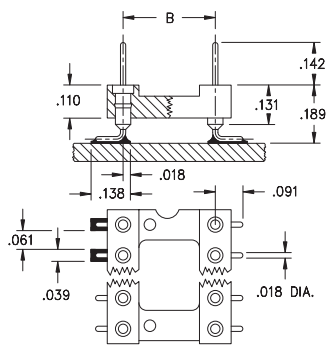


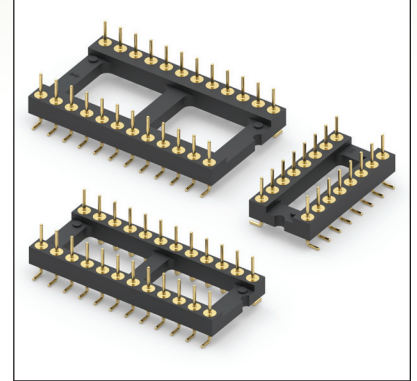
# DUAL-IN-LINE HEADERS

## SERIES 150 • SURFACE MOUNT, GULL WING • OPEN FRAME



See page 130 for Insulator Details

- Surface mount Gull Wing DIP headers for adapters and board stacking on .100" lead spacing
- Gull wing terminals provide maximum strength and permit easy visual inspection of solder joints
- Series 150 uses MM #3404 pins. See page 212 for details
- Insulators are high temperature thermoplastic, suitable for all soldering operations
- For Electrical, Mechanical and Environmental Data, see page 264 for details



| Total number of pins                     |     |     |     | Quantity per tube | ORDERING INFORMATION         |                           |         |  |  |  |
|--|-----|-----|-----|-------------------|------------------------------|---------------------------|---------|--|--|--|
|  | A   | B   | C   |                   |                              |                           |         |  |  |  |
| 10                                       | 0.5 | 0.2 | 0.3 | 40                | 150-10-210-00-106000         |                           |         |  |  |  |
| 4  | 0.2 | 0.3 | 0.4 | 102               | 150-10-304-00-106000         |                           |         |  |  |  |
| 6  | 0.3 | 0.3 | 0.4 | 67                | 150-10-306-00-106000         |                           |         |  |  |  |
| 8  | 0.4 | 0.3 | 0.4 | 50                | 150-10-308-00-106000         |                           |         |  |  |  |
| 10                                       | 0.5 | 0.3 | 0.4 | 40                | 150-10-310-00-106000         |                           |         |  |  |  |
| 14                                       | 0.7 | 0.3 | 0.4 | 29                | 150-10-314-00-106000         |                           |         |  |  |  |
| 16                                       | 0.8 | 0.3 | 0.4 | 25                | 150-10-316-00-106000         |                           |         |  |  |  |
| 18                                       | 0.9 | 0.3 | 0.4 | 22                | 150-10-318-00-106000         |                           |         |  |  |  |
| 20                                       | 1.0 | 0.3 | 0.4 | 20                | 150-10-320-00-106000         |                           |         |  |  |  |
| 22                                       | 1.1 | 0.3 | 0.4 | 18                | 150-10-322-00-106000         |                           |         |  |  |  |
| 24                                       | 1.2 | 0.3 | 0.4 | 16                | 150-10-324-00-106000         |                           |         |  |  |  |
| 28                                       | 1.4 | 0.3 | 0.4 | 14                | 150-10-328-00-106000         |                           |         |  |  |  |
| 20                                       | 1.0 | 0.4 | 0.5 | 20                | 150-10-420-00-106000         |                           |         |  |  |  |
| 22                                       | 1.1 | 0.4 | 0.5 | 18                | 150-10-422-00-106000         |                           |         |  |  |  |
| 24                                       | 1.2 | 0.4 | 0.5 | 16                | 150-10-424-00-106000         |                           |         |  |  |  |
| 28                                       | 1.4 | 0.4 | 0.5 | 14                | 150-10-428-00-106000         |                           |         |  |  |  |
| 32                                       | 1.6 | 0.4 | 0.5 | 12                | 150-10-432-00-106000         |                           |         |  |  |  |
| 24                                       | 1.2 | 0.6 | 0.7 | 16                | 150-10-624-00-106000         |                           |         |  |  |  |
| 28                                       | 1.4 | 0.6 | 0.7 | 14                | 150-10-628-00-106000         |                           |         |  |  |  |
| 32                                       | 1.6 | 0.6 | 0.7 | 12                | 150-10-632-00-106000         |                           |         |  |  |  |
| 36                                       | 1.8 | 0.6 | 0.7 | 11                | 150-10-636-00-106000         |                           |         |  |  |  |
| 40                                       | 2.0 | 0.6 | 0.7 | 10                | 150-10-640-00-106000         |                           |         |  |  |  |
| 42                                       | 2.1 | 0.6 | 0.7 | 9                 | 150-10-642-00-106000         |                           |         |  |  |  |
| 48                                       | 2.4 | 0.6 | 0.7 | 8                 | 150-10-648-00-106000         |                           |         |  |  |  |
| 50                                       | 2.5 | 0.6 | 0.7 | 8                 | 150-10-650-00-106000         |                           |         |  |  |  |
| 52                                       | 2.6 | 0.6 | 0.7 | 7                 | 150-10-652-00-106000         |                           |         |  |  |  |
| 50                                       | 2.5 | 0.9 | 1.0 | 8                 | XX=Plating Code<br>See Below | 150-10-950-00-106000      |         |  |  |  |
| 52                                       | 2.6 | 0.9 | 1.0 | 7                 |                              | 150-10-952-00-106000      |         |  |  |  |
| 64                                       | 3.2 | 0.9 | 1.0 | 6                 |                              | 150-10-964-00-106000      |         |  |  |  |
| See page 264 for coplanarity information |     |     |     |                   |                              | SPECIFY PLATING CODE XX = |         |  |  |  |
|  |     |     |     |                   | Pin Plating                  |                           | 10 μ Au |  |  |  |



# Mouser Electronics

Authorized Distributor

Click to View Pricing, Inventory, Delivery & Lifecycle Information:

## Mill-Max:

[150-10-210-00-106000](#) [150-10-304-00-106000](#) [150-10-306-00-106000](#) [150-10-308-00-106000](#) [150-10-310-00-106000](#) [150-10-314-00-106000](#) [150-10-316-00-106000](#) [150-10-318-00-106000](#) [150-10-320-00-106000](#) [150-10-322-00-106000](#) [150-10-324-00-106000](#) [150-10-328-00-106000](#) [150-10-420-00-106000](#) [150-10-422-00-106000](#) [150-10-424-00-106000](#) [150-10-428-00-106000](#) [150-10-432-00-106000](#) [150-10-624-00-106000](#) [150-10-628-00-106000](#) [150-10-632-00-106000](#) [150-10-636-00-106000](#) [150-10-640-00-106000](#) [150-10-642-00-106000](#) [150-10-648-00-106000](#) [150-10-650-00-106000](#) [150-10-652-00-106000](#) [150-10-950-00-106000](#) [150-10-952-00-106000](#) [150-10-964-00-106000](#)