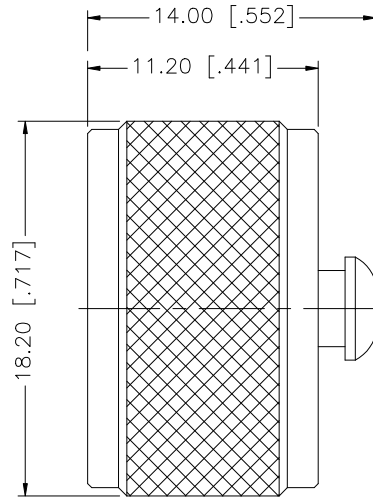


REV.	DATE	ECR NO.	DESCRIPTION
NC	06/07/99	-	INITIAL RELEASE
A	06/29/08	-	UPDATE DRAWING FORMAT



8				<small>UNLESS OTHERWISE SPECIFIED DIMENSIONS ARE IN MILLIMETERS. DIMENSIONS IN [] ARE IN INCHES AND FOR CUSTOMER REFERENCE ONLY.</small> <small>UNLESS OTHERWISE SPECIFIED TOLERANCES FOR MILLIMETERS ARE:</small> 0.5 - 8mm ± 0.20mm 8 - 30mm ± 0.40mm 30 - 120mm ± 0.50mm <small>UNLESS OTHERWISE SPECIFIED TOLERANCES FOR INCHES ARE:</small> .020 - .315 = ± 0.007" .315 - 1.180 = ± 0.015" 1.180 - 4.724 = ± 0.020"	APPROVALS	DATE	<h1 style="color: blue;">Amphenol Connex</h1>			
7					DRAWN	GRS		06/29/08	N MALE CAP - NO CHAIN	
6					CHECKED					
5					ISSUED					
4					SHEET	1 OF 1				
3	RIVET	BRASS	NICKEL	1			PART DESCRIPTION			
2	GASKET	SILICONE	RED	1			PART NO.			
1	SHELL	BRASS	NICKEL	1			202102-10			
	DESCRIPTION	MATERIAL	FINISH	QTY	DO NOT SCALE DRAWING	CAD FILE	DWG. NO.	REV.	SIZE	SCALE
						C:/202/202102-10.DWG	202102-10.DWG	A	A	NA