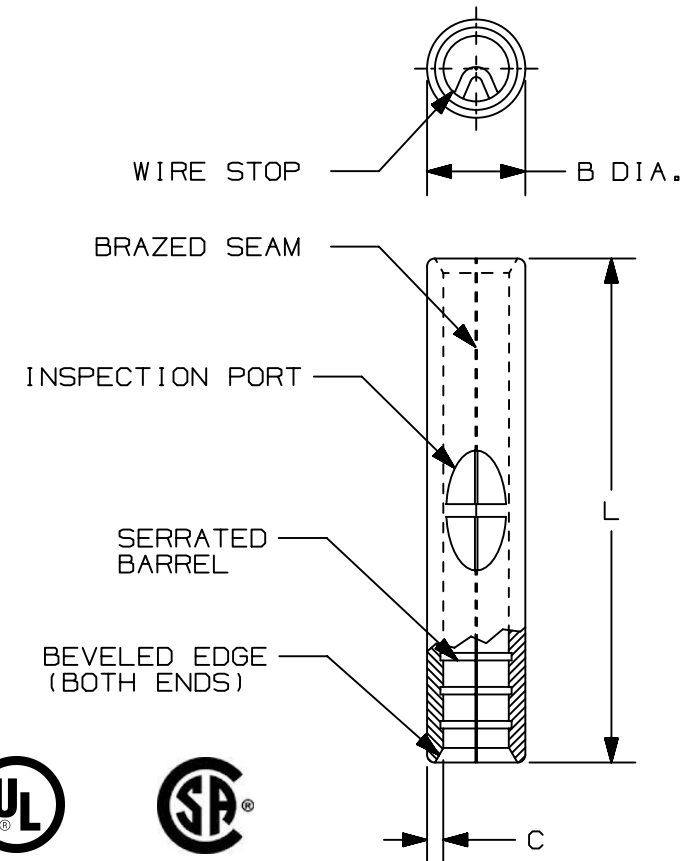


THIS COPY IS PROVIDED ON A RESTRICTED BASIS AND IS NOT TO BE USED IN ANY WAY DETRIMENTAL TO THE INTERESTS OF PANDUIT CORP.

PANDUIT PART #	WIRE RANGE AWG [mm ²]	DIMENSIONS in. [mm]		
		L ± .02 [0,51]	B DIA. ± .01 [0,25]	C ± .01 [0,25]
BS18	#22-18 [0,5-1,0]	.62 [15,7]	.14 [3,6]	.032 [0,81]
BS14	#16-14 [1,5-2,5]	.62 [15,7]	.16 [4,1]	.032 [0,81]
BS10	#12-10 [4,0-6,0]	.63 [16,0]	.22 [5,6]	.040 [1,02]

NOTES:

- USED FOR:
 - SOLID OR STRANDED COPPER WIRE
 - 302°F [150°C] MAX. TEMPERATURE RATING
- INSTALLATION TOOLS:
 - UL LISTED AND CSA CERTIFIED: CT-100A, CT-200, CT-600A (CT-570CH), CT-1570, CT-2500 (CT-2570CH)
 - PANDUIT APPROVED: CT-160, CT-260
- WIRE STRIP LENGTH: 9/32 ^{+1/32}/₀ [7,1 ^{+0,8}/₀]
- MATERIAL:
 - STAMPING: COPPER, TIN PLATED
- SEE www.panduit.com FOR PACKAGE QUANTITIES INDICATED BY PART NUMBER SUFFIX
- DIMENSIONS IN BRACKETS ARE METRIC EQUIVALENT



TITLE		BUTT SPLICE, NON- INSULATED #22-10		
		CUSTOMER DRAWING		
ITEM REVISION NAME		N41338BA/08		
DATASET FILE NAME		N41338BA_DC/08A		
UNLESS OTHERWISE SPECIFIED, DIMENSIONAL TOLERANCES ARE: IN [mm]		.x ± .1 [2.54] .xxx ± .005 [.13] .xx ± .01 [.25] ANGLES ± 5°		
DRAWING NUMBER:		A41338		
THIRD ANGLE PROJECTION				
DRAWN BY	DATE	CHK	SCALE	SIZE
DAW	-	-	N.T.S	A

REV	DATE	BY	CHK	APR	DESCRIPTION	ECN
08	09.06.12	JBN	LCA	VMB	REVISED NOTES. ADDED METRIC EQUIVALENTS. UPDATED DRAWING TO CURRENT STANDARD.	A41338

D10100DA/12