

PLEASE CHECK WWW.MOLEX.COM FOR LATEST PART INFORMATION

Part Number: **50013-8000**
Status: **Active**
Description: 2.00mm Pitch Crimp Terminal, Reel, for 51005 Housing

Documents:

[3D Model](#)
[Drawing \(PDF\)](#)
[Product Specification PS-51005-001 \(PDF\)](#)
[Packaging Specification SPK-50013-001 \(PDF\)](#)
[RoHS Certificate of Compliance \(PDF\)](#)

General

Product Family: Crimp Terminals
 Series: 50013
 Application: Signal
 Crimp Quality Equipment: Yes
 Packaging Alternative: 50013-8100 (Loose)
 Product Name: N/A
 UPC: 800753629929

Physical

Gender: Female
 Material - Metal: Phosphor Bronze
 Material - Plating Mating: Tin
 Material - Plating Termination: Tin
 Net Weight: 47.900/mg
 Packaging Type: Reel
 Plating min - Mating: 0.889µm
 Plating min - Termination: 0.914µm
 Termination Interface: Style: Crimp or Compression
 Wire Insulation Diameter: 0.90-1.15mm
 Wire Size AWG: 24, 26, 28
 Wire Size mm²: N/A

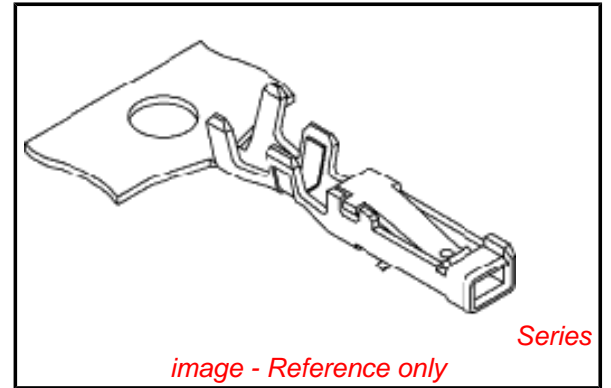
Electrical

Current - Maximum per Contact: 2A
 Voltage - Maximum: 125V

Material Info

Reference - Drawing Numbers

Crimp Specification: CS-50012_50013
 Packaging Specification: SPK-50013-001
 Product Specification: PS-51005-001, RPS-51005-001, RPS-51005-002
 Sales Drawing: SD-50013-001



EU RoHS

ELV and RoHS Compliant
REACH SVHC Contains SVHC: No
Low-Halogen Status Low-Halogen

China RoHS



Need more information on product environmental compliance?

Email productcompliance@molex.com
 For a multiple part number RoHS Certificate of Compliance, [click here](#)

Please visit the [Contact Us](#) section for any non-product compliance questions.

Search Parts in this Series

50013Series

Mates With

50012

Use With

51005

Application Tooling | [FAQ](#)

Tooling specifications and manuals are found by selecting the products below. Crimp Height Specifications are then contained in the Application Tooling Specification document.

Global

Description	Product #
Hand Crimp Tool, UL Approved	0638117800
T2 Terminator Die	0638515000
FineAdjust™ Applicator	0638615000

Japan

Description	Product #
-------------	-----------

Applicator for M21 1A 0570453000
Bench Press, 24-28
AWG Wire

This document was generated on 01/27/2015

PLEASE CHECK WWW.MOLEX.COM FOR LATEST PART INFORMATION