

# Patch cable - VS-FSDB-IP20SDA/981/2,0 SCO



1420171

<https://www.phoenixcontact.com/gb/products/1420171>

Please be informed that the data shown in this PDF document is generated from our Online Catalog. Please find the complete data in the user documentation. Our General Terms of Use for Downloads are valid.

---



Assembled USB cable, shielded, color: black, PVC outer sheath, USB mini-B/IP20 on USB type A/IP20, length: 2 m

---

# Patch cable - VS-FSDB-IP20SDA/981/2,0 SCO



1420171

<https://www.phoenixcontact.com/gb/products/1420171>

## Commercial Data

Item number	1420171
Packing unit	1 pc
Minimum order quantity	1 pc
Sales Key	BF1CPA
Product Key	BF1CPA
Catalog Page	Page 452 (C-2-2019)
GTIN	4046356548601
Weight per Piece (including packing)	111.3 g
Weight per Piece (excluding packing)	108 g
Customs tariff number	85444290
Country of origin	PL

# Patch cable - VS-FSDB-IP20SDA/981/2,0 SCO



1420171

<https://www.phoenixcontact.com/gb/products/1420171>

## Technical Data

### Notes

#### Trade restriction

CE note	The products are offered exclusively for export outside the EU and the European Economic Area.
---------	--

### Product properties

Product type	Data cable preassembled
Number of positions	4
Application	Standard
Shielded	yes

### Electrical properties

Nominal voltage $U_N$	48 V AC
	60 V DC
Nominal current $I_N$	1 A
Transmission medium	Copper

### Material specifications

Color Handle area	black
Flammability rating according to UL 94	V0
Contact material	Cu alloy
Contact surface material	Ni/Au

### Connection data

#### Pin assignment

Contact   Color (signal designation)   Contact (optional)	1 (M12 mini B)   RD (+5 V)   1 (USB type A)
	2 (M12 mini B)   WH (DATA-)   2 (USB type A)
	3 (M12 mini B)   GN (DATA+)   3 (USB type A)
	4 (M12 mini B)   N.C.
	5 (M12 mini B)   BK (GND)   4 (USB type A)

### Connector

Insertion/withdrawal cycles	$\geq 100$
-----------------------------	------------

#### Header 1

Type	Plug straight USB type A / IP20
Degree of protection	IP20

#### Head 2

Type	Socket straight M12 mini B / IP65
Application	Standard
Number of positions	4

# Patch cable - VS-FSDB-IP20SDA/981/2,0 SCO



1420171

<https://www.phoenixcontact.com/gb/products/1420171>

Insertion/withdrawal cycles	≥ 100
Contact material	Cu alloy
Contact surface material	Ni/Au
Degree of protection	IP20
	IP65
Application	Standard
Number of positions	4
Insertion/withdrawal cycles	≥ 100
Contact material	Cu alloy
Contact surface material	Ni/Au

## Cable / line

Cable length	2 m
--------------	-----

### Cable structure

Cable type	USB
Short symbol	981
Cable structure	2x2xAWG26/7 + 2xAWG20/19; S/FTP
External cable diameter	4.9 mm
Outer sheath, material	PVC
External sheath, color	black
Thickness, outer sheath	0.60 mm
AWG signal line	20

### Electrical properties

Nominal voltage, cable	30 V
------------------------	------

## Ambient conditions

Degree of protection	IP20 (USB type A)
	IP65 (M12 mini B)
Degree of protection	IP20
	IP65
Ambient temperature (operation)	-25 °C ... 80 °C (Cable, flexible installation)

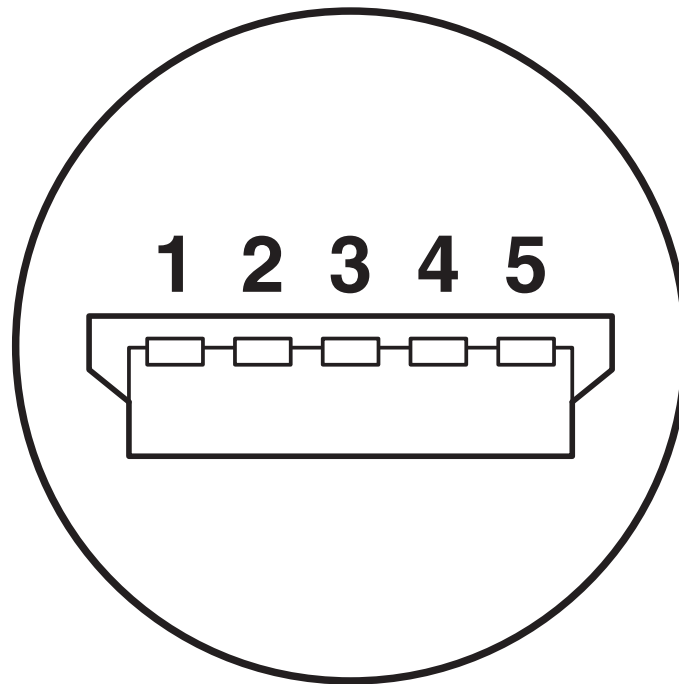
# Patch cable - VS-FSDB-IP20SDA/981/2,0 SCO

1420171

<https://www.phoenixcontact.com/gb/products/1420171>

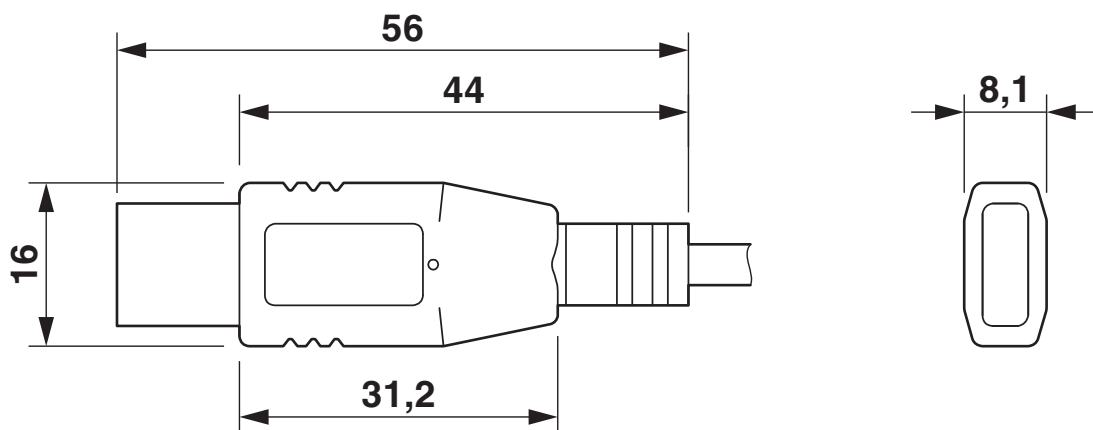
## Drawings

Schematic diagram



Pin assignment plug USB, mini B

Dimensional drawing



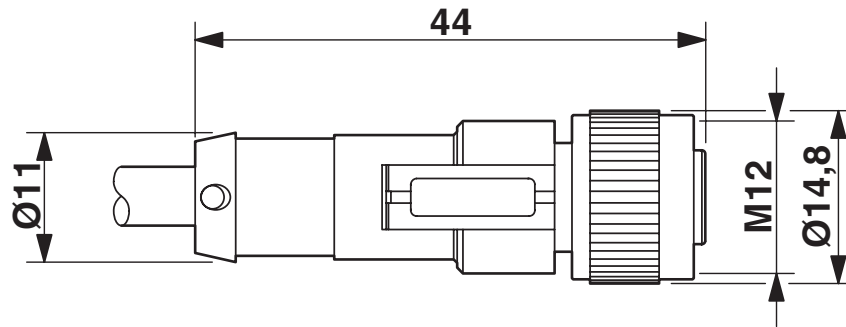
USB connector, type A, Standard

# Patch cable - VS-FSDB-IP20SDA/981/2,0 SCO

1420171

<https://www.phoenixcontact.com/gb/products/1420171>

Dimensional drawing



Mini USB, M12 x 1 socket, straight

# Patch cable - VS-FSDB-IP20SDA/981/2,0 SCO



1420171

<https://www.phoenixcontact.com/gb/products/1420171>

## Approvals



**EAC**

Approval ID: RU D-DE.HB35.B.00387

# Patch cable - VS-FSDB-IP20SDA/981/2,0 SCO



1420171

<https://www.phoenixcontact.com/gb/products/1420171>

## Classifications

### ECLASS

ECLASS-9.0	27060308
ECLASS-10.0.1	27060308
ECLASS-11.0	27060307

### ETIM

ETIM 8.0	EC001855
----------	----------

### UNSPSC

UNSPSC 21.0	26121600
-------------	----------



# Patch cable - VS-FSDB-IP20SDA/981/2,0 SCO



1420171

<https://www.phoenixcontact.com/gb/products/1420171>

## Environmental Product Compliance

China RoHS	Environmentally friendly use period: unlimited = EFUP-e No hazardous substances above threshold values
------------	---

Phoenix Contact 2022 © - all rights reserved  
<https://www.phoenixcontact.com>

PHOENIX CONTACT Ltd  
Halesfield 13, Telford  
Shropshire, TF7 4PG  
01952 681700  
[info@phoenixcontact.co.uk](mailto:info@phoenixcontact.co.uk)