



FCIconnect.com

Copyright FCI

D

form: A3

1

A

B

C

D

2

2

4

4

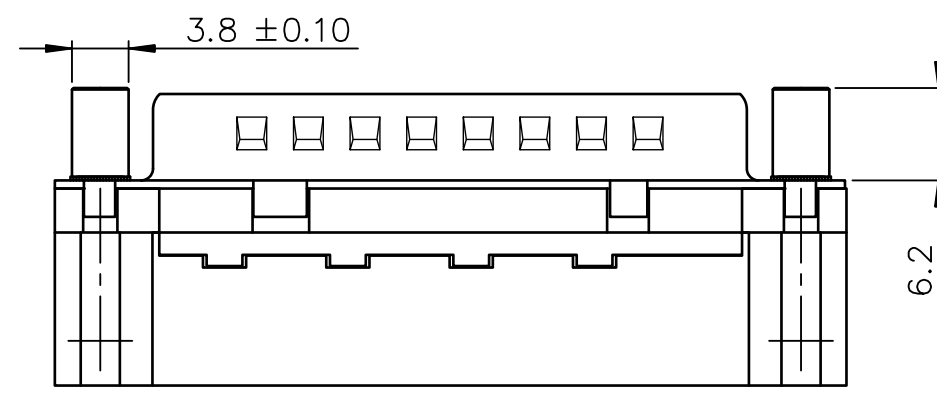
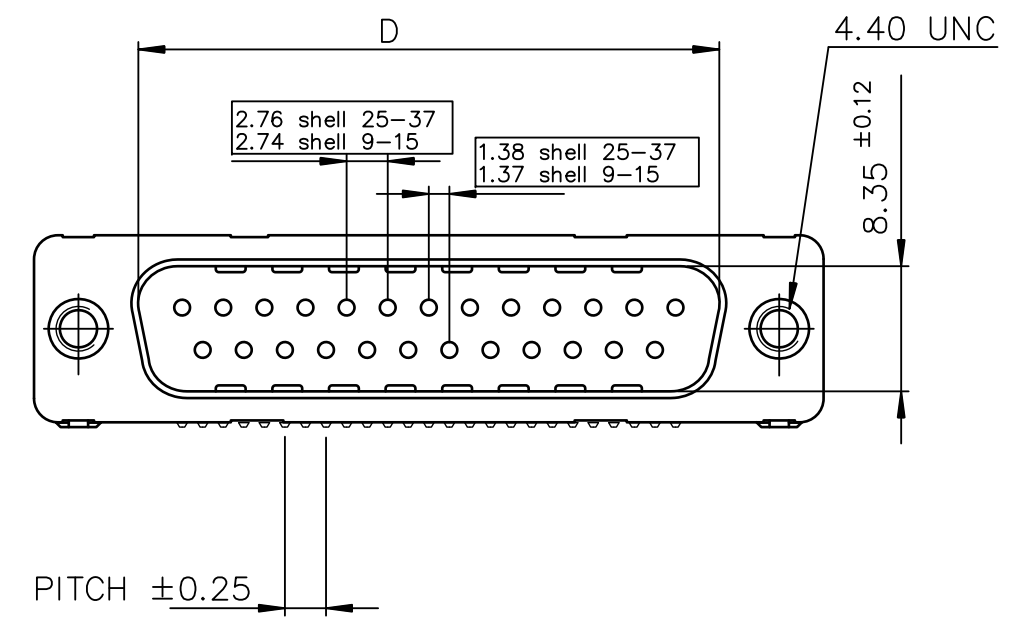
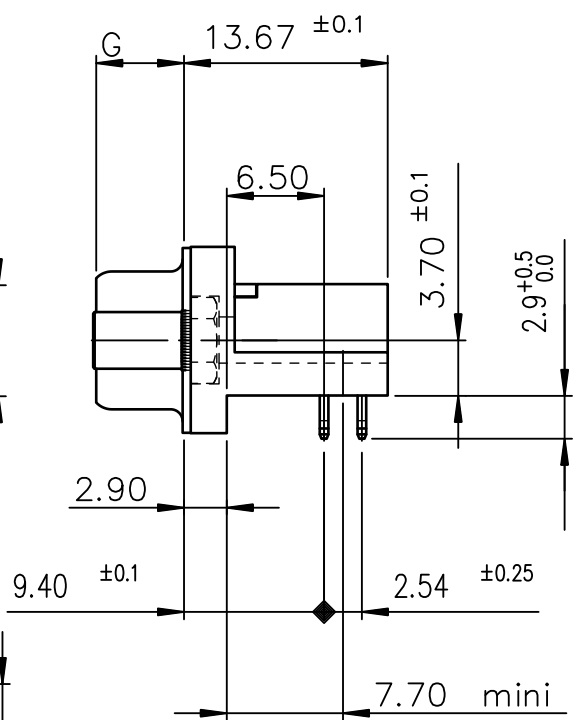
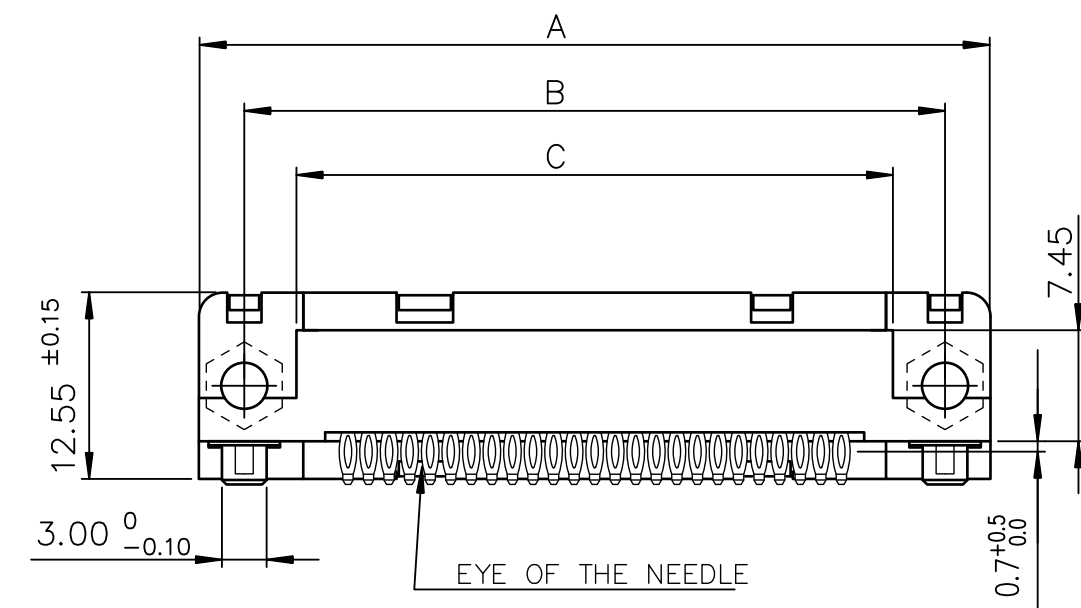
5

5

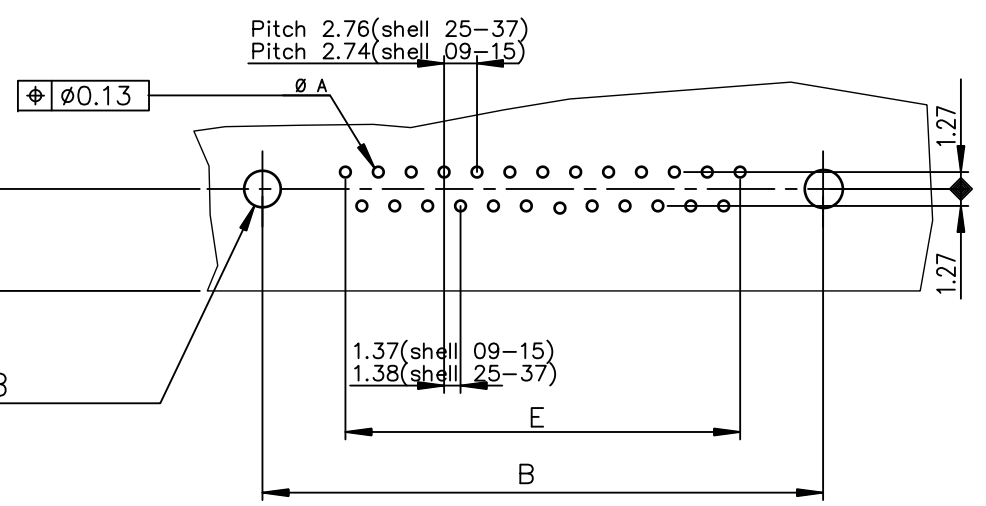
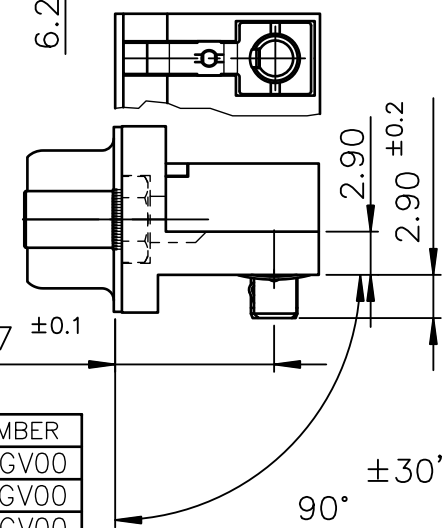
6

6

view shown without plastic pin



Detail of grounding strip



PC card drilling dimensions(after plating)
(thickness 1.60±0.20 mm)

TIN LEAD PART NUMBER

SHELL	A±0.38	B±0.12	C±0.10	D +0.25	E±0.07	G	PART NUMBER	PART NUMBER
09	30.81	24.99	18.00	16.79	10.96	5.90 +0.15	D09P82C4GV00	D09P82C6GV00
15	39.14	33.32	26.32	25.12	19.18	5.90 +0.15	D15P82C4GV00	D15P82C6GV00
25	53.03	47.04	40.04	38.84	33.12	5.70 +0.25	D25P82C4GV00	D25P82C6GV00
37	69.32	63.50	56.50	55.30	49.68	5.70 +0.25	D37P82C4GV00	D37P82C6GV00
							Gold flash	0.76 µ gold

LEAD FREE PART NUMBER

SHELL	A±0.38	B±0.12	C±0.10	D +0.25	E±0.07	G	PART NUMBER	PART NUMBER
09	30.81	24.99	18.00	16.79	10.96	5.90 +0.15	D09P82C4GV00LF	D09P82C6GV00LF
15	39.14	33.32	26.32	25.12	19.18	5.90 +0.15	D15P82C4GV00LF	D15P82C6GV00LF
25	53.03	47.04	40.04	38.84	33.12	5.70 +0.25	D25P82C4GV00LF	D25P82C6GV00LF
37	69.32	63.50	56.50	55.30	49.68	5.70 +0.25	D37P82C4GV00LF	D37P82C6GV00LF
							Gold flash	0.76 µ gold

GENERAL CHARACTERISTICS AND ROHS INFORMATIONS:

SEE DRAWING C01-8646-0001

mat'l. code		surface		tolerance		projection		product family	
-		ISO 1302 ✓		ISO 406 ISO 1101				D-SUB	
ltr		ecn no		dr		date		title	
G		ELX-I-18050		MP		2014/06/23		MALE CONNECTOR DELTA-D EUROSTYLE RIGHT ANGLED PRESS FIT	
								dwg no	
								sheet 1 of 1	
								size	
								A3	
								type	
								Product Customer Drawing	

sheet index	revision sheet	G	1						
-------------	----------------	---	---	--	--	--	--	--	--

PDS: Rev :G

STATUS:Released

Printed: Jul 04, 2014

Mouser Electronics

Authorized Distributor

Click to View Pricing, Inventory, Delivery & Lifecycle Information:

[FCI / Amphenol:](#)

[D09P82C4GV00LF](#) [D09P82C6GV00LF](#) [D25P82C4GV00LF](#) [D25P82C6GV00LF](#) [D09P82C4GV00](#) [D09P82C6GV00](#)
[D25P82C4GV00](#) [D25P82C6GV00](#) [D15P82C6GV00LF](#) [D37P82C6GV00LF](#)