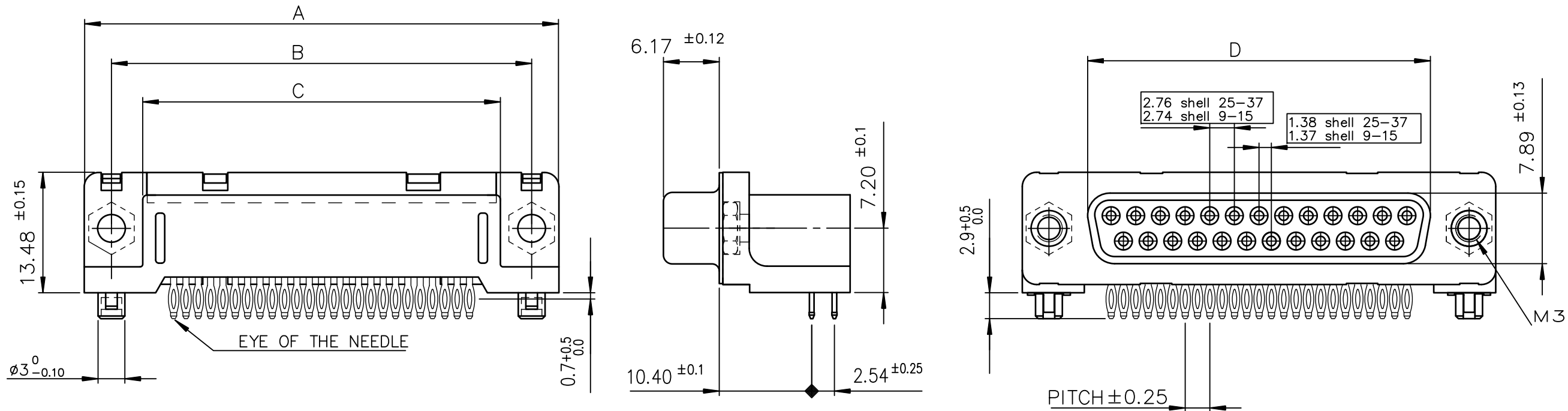
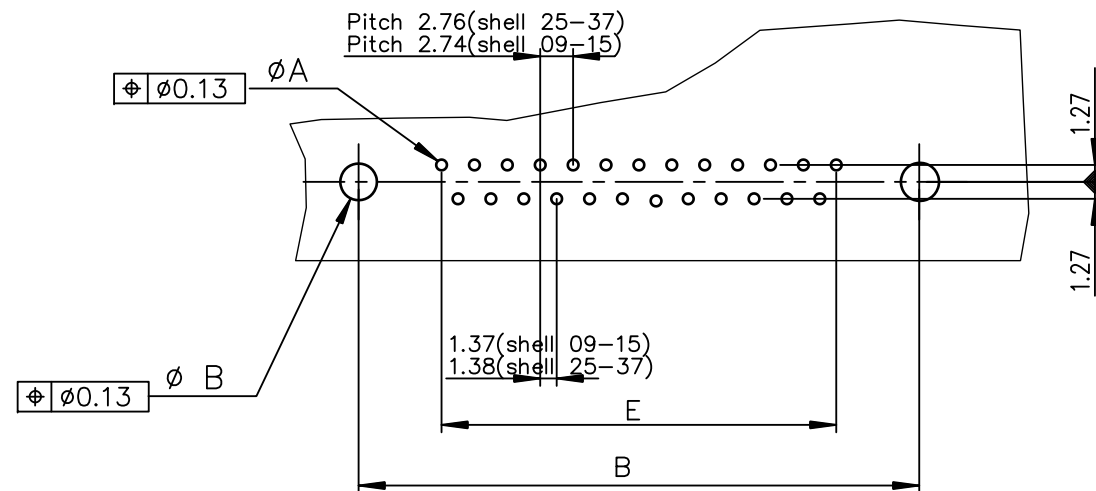


view shown without plastic pin and grounding

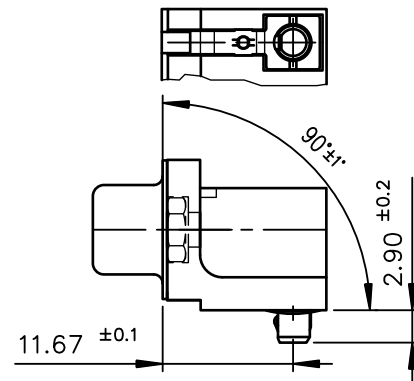


PC card drilling dimensions(after plating)

(thickness 1.60 ±0.20)



Detail of grounding strip



GENERAL CHARACTERISTICS AND ROHS INFORMATIONS:

SEE DRAWING C01-8646-0001

SHELL	A±0.38	B±0.12	C±0.10	D±0.25	E±0.07	TIN LEAD	TIN LEAD	LEAD FREE	LEAD FREE
09	30.81	24.99	18.00	16.21	10.96	D09S81C4GL00	D09S81C6GL00	D09S81C4GL00LF	D09S81C6GL00LF
15	39.14	33.32	26.32	24.54	19.18	D15S81C4GL00	D15S81C6GL00	D15S81C4GL00LF	D15S81C6GL00LF
25	53.03	47.04	40.04	38.25	33.12	D25S81C4GL00	D25S81C6GL00	D25S81C4GL00LF	D25S81C6GL00LF
37	69.32	63.50	56.50	54.71	49.68	D37S81C4GL00	D37S81C6GL00	D37S81C4GL00LF	D37S81C6GL00LF
						Gold flash	0.76 μ gold	Gold flash	0.76 μ gold

mat'l. code				surface		tolerance		projection		product family	
-				ISO 1302 ✓		ISO 406 ISO 1101		MM		D-SUB	
ltr				ecn no		dr		date		title	
G				ELX-I-18050		MP		2014/06/23		FEMALE CONNECTOR DELTA-DEUROPE RIGHT ANGLED PRESS FIT	
angles				linear				scale 2:1		dwg no	
0°±2'										sheet 1 of 1	
dr				PESSON		1996/12/06		FCI		size	
enr				MITHUN PAUL		2014/06/23				A3	
chr				ALIAS BABU		2014/06/23				C01-8646-0522	
appd				BIJU K PAUL		2014/06/23				type	
										Product Customer Drawing	
sheet index		revision sheet		G		1					

Mouser Electronics

Authorized Distributor

Click to View Pricing, Inventory, Delivery & Lifecycle Information:

[FCI / Amphenol:](#)

[D09S81C4GL00LF](#) [D09S81C6GL00LF](#) [D15S81C6GL00LF](#) [D25S81C6GL00LF](#) [D37S81C4GL00LF](#)
[D37S81C6GL00LF](#) [D15S81C4GL00LF](#) [D09S81C4GL00](#) [D15S81C6GL00](#) [D25S81C6GL00](#) [D37S81C4GL00](#)
[D37S81C6GL00](#) [D25S81C4GL00LF](#)