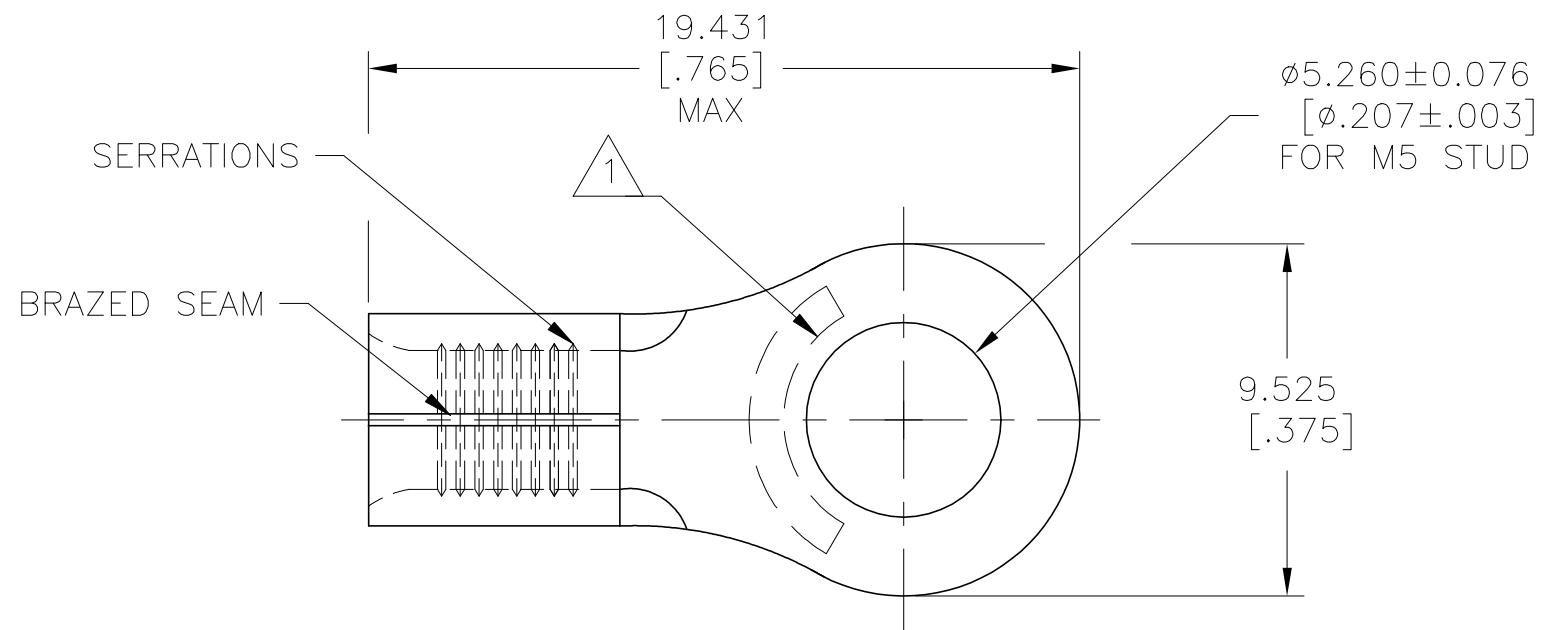


THIS DRAWING IS UNPUBLISHED. RELEASED FOR PUBLICATION

© COPYRIGHT - By - ALL RIGHTS RESERVED.

REVISIONS

P	LTR	DESCRIPTION	DATE	DWN	APVD
A1		REDRAWN PER ECO-12-018155	30JAN13	KH	DR
A2		REVISED PER ECO-19-011091	24JUL2019	RS	DR



AMP
WIRE RANGE

12-10 AWG
SOLID OR STRANDED

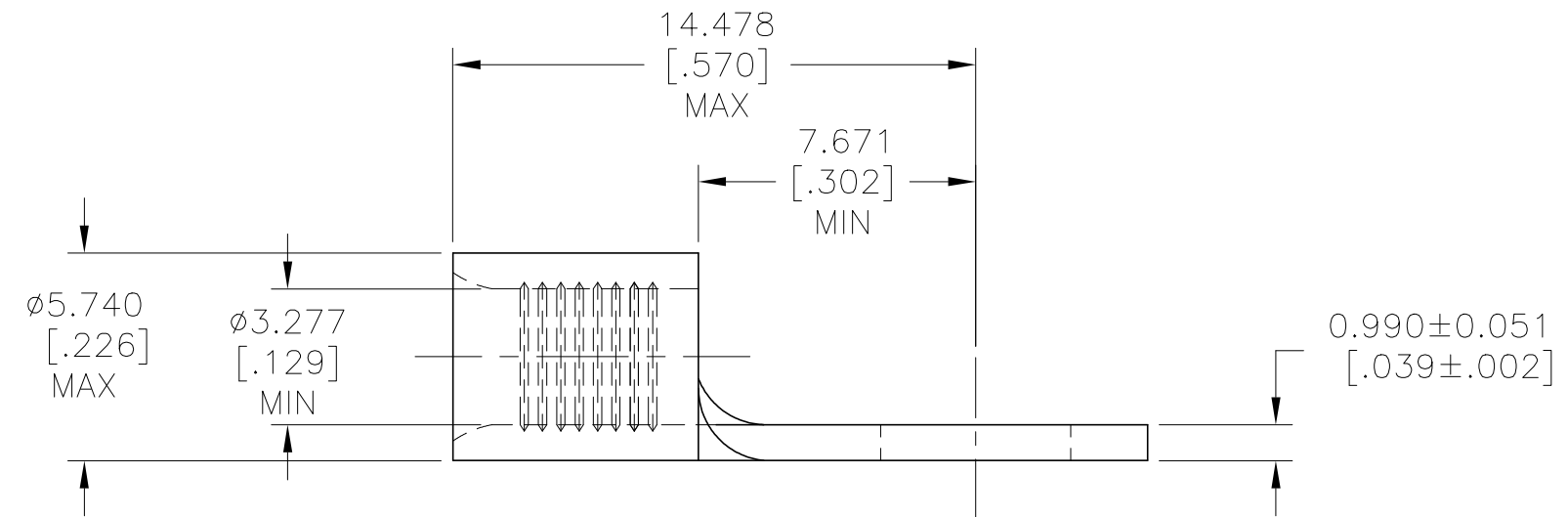
UL E13288
Listed

12-10 AWG
STRANDED

SR LR7189
Certified

12-10 AWG
SOLID OR STRANDED

- 1 STAMP AMP 12-10* APPROX AS SHOWN
- 2 MATERIAL: COPPER PER ASTM B152
- 3 FINISH: TIN PLATE 0.00254[.000100] MIN EXT THK PER ASTM B545



1000	LOOSE PIECE	130191
QTY	PACKAGE TYPE	PART NO

AMP INCORPORATED CUSTOMER SERVICE SYSTEMS		MAX RECOMMENDED OPERATING TEMPERATURE: 170°C [338°F] MAX	THIS DRAWING IS A CONTROLLED DOCUMENT.		DWN KIRAN HOLAL 30JAN13	STE TE Connectivity		
FOR ADDITIONAL PRODUCT INFORMATION OR COPIES OF DRAWINGS AND TECHNICAL DOCUMENTS	PRODUCT INFORMATION CENTER 1-800-522-6752	VOLTAGE RATING: N/A	DIMENSIONS: mm [INCHES]	TOLERANCES UNLESS OTHERWISE SPECIFIED:	CHK ROHDE DANIEL 30JAN13	NAME TERMINAL, RING TONGUE, SOLISTRAND, 12-10 AWG		
FOR APPLICATION TOOLING INFORMATION	TOOLING ASSISTANCE CENTER 1-800-722-1111	WIRE: 2.62-6.64mm ² [5,180-13,100] CIR MILLS SOLID OR STRANDED		0 PLC ± - 1 PLC ± - 2 PLC ± - 3 PLC ± 0.127[.005] 4 PLC ± - ANGLES ± -	APVD ROHDE DANIEL 30JAN13	PRODUCT SPEC UL486 A-B	RESTRICTED TO	
FOR ORDER ENTRY	1-800-526-5142	THIS DRAWING IS A CONTROLLED DOCUMENT FOR AMP INCORPORATED. IT IS SUBJECT TO CHANGE AND THE CONTROLLING ENGINEERING ORGANIZATION SHOULD BE CONTACTED FOR THE LATEST REVISION.	MATERIAL 2	FINISH 3	APPLICATION SPEC -	SIZE A3	CAGE CODE 00779	DRAWING NO C-130191
					WEIGHT -	SCALE 5:1	SHEET 1 OF 1	REV A2