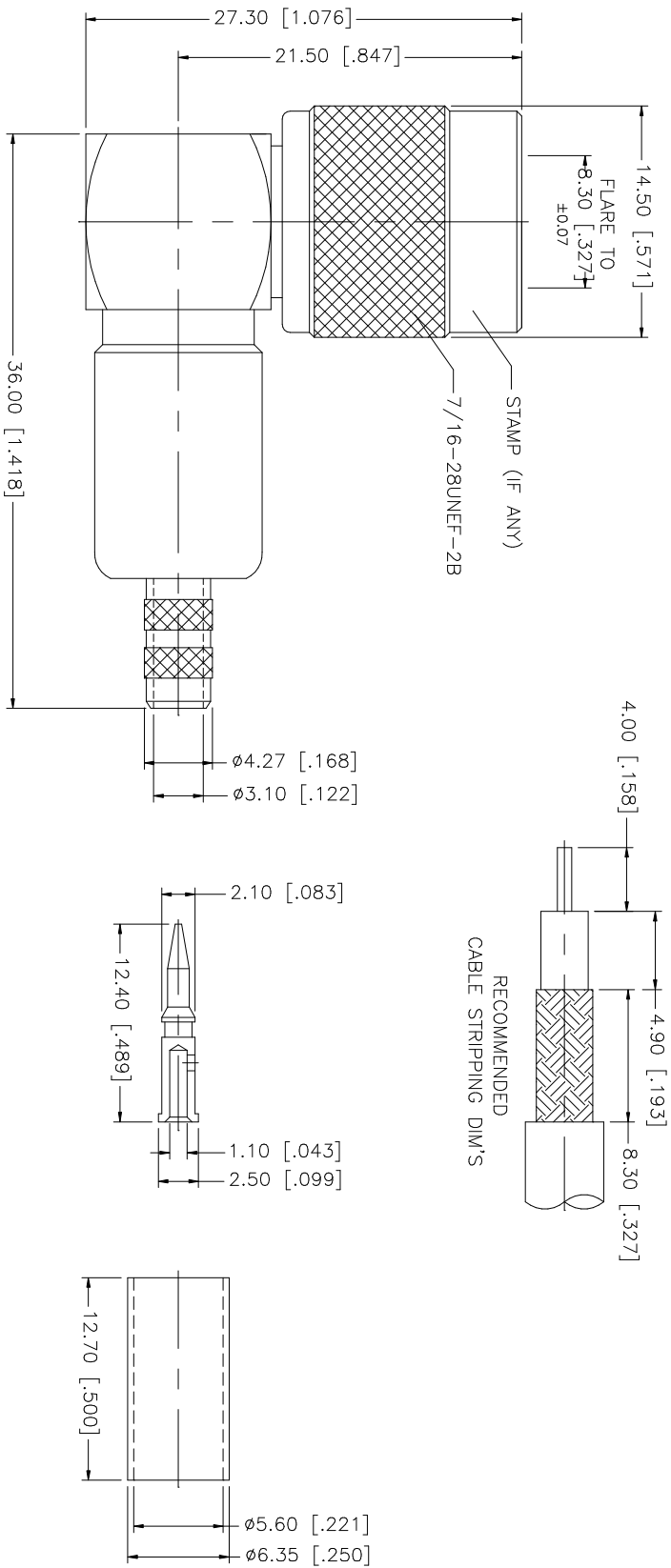


REV.	DATE	DESCRIPTION
NC	11/26/03	INITIAL RELEASE



NOTE:

1. CRIMPED FERRULE  
HEX CRIMP SIZE .213"
2. CRIMPED CONTACT PIN  
HEX CRIMP SIZE .068"

REV.	DATE	DESCRIPTION
8		
7		
6		
5		
4		
3		
2		
1		

QTY	FINISH	MATERIAL	DESCRIPTION
1	NICKEL	COPPER	FERRULE
1	GOLD	PHOS. BRONZE	CONTACT PIN
1	NATURAL	DELFIN	INSULATOR
1	NICKEL	BRASS	HOUSING/BODY

UNLESS OTHERWISE SPECIFIED DIMENSIONS ARE IN INCHES AND FOR CUSTOMER REFERENCE ONLY.  
UNLESS OTHERWISE SPECIFIED TOLERANCES FOR MILLIMETERS ARE:  
0.5 - 8mm ± 0.20mm  
8 - 30mm ± 0.40mm  
30 - 120mm ± 0.50mm  
UNLESS OTHERWISE SPECIFIED TOLERANCES FOR INCHES ARE:  
.020 - .315 = ± 0.007"  
.315 - 1.180 = ± 0.015"  
1.180 - 4.724 = ± 0.020"

DO NOT SCALE DRAWING

APPROVALS	DATE
DRAWN G.R.S.	11/26/03
CHECKED	
ISSUED	
SHEET 1 OF 1	

CAD FILE C:/122/122365.DWG

DWG. NO. 122365.DWG

REV. NC

SIZE A

SCALE NA

**Amphenol Connex**

PART DESCRIPTION  
TNC R/A CRIMP PLUG  
(FOR RG-55/U, 142A/U, 223/U, 400/U)

PART NO. 122365

# Mouser Electronics

Authorized Distributor

Click to View Pricing, Inventory, Delivery & Lifecycle Information:

[Amphenol:](#)

[122365](#)