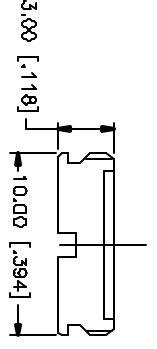
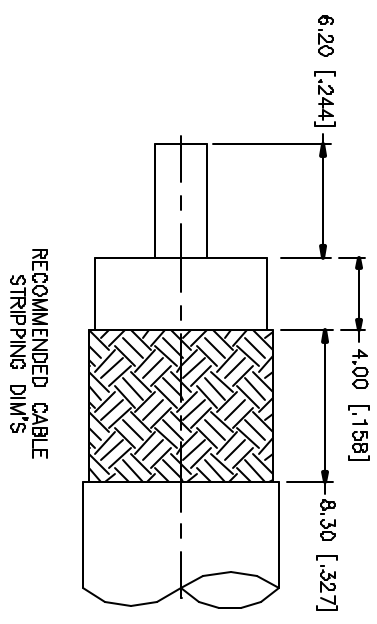
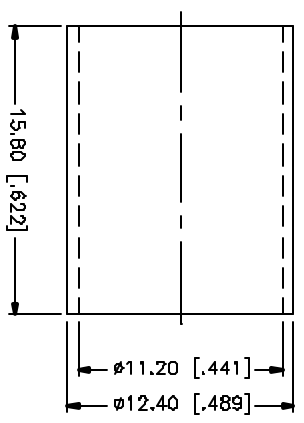
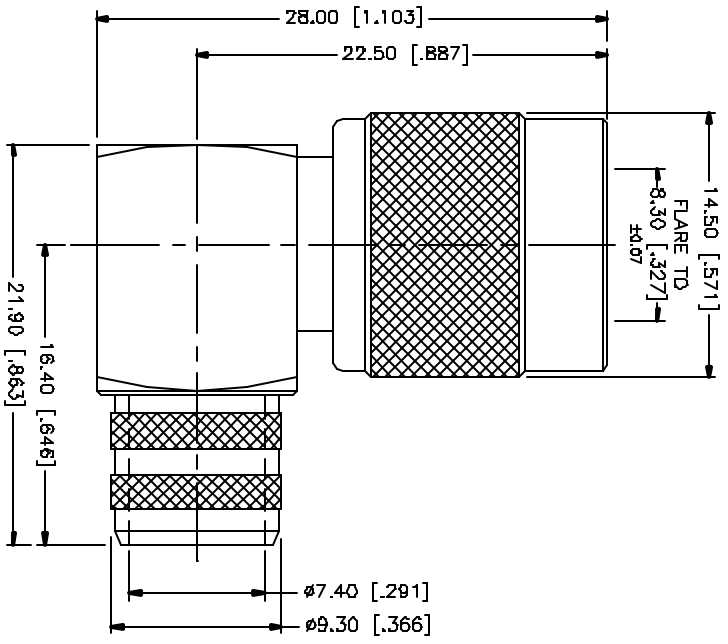


REV.	DATE	DESCRIPTION
NC	01/09/05	INITIAL RELEASE



- NOTES:
1. CRIMPED FERRULE HEX SIZE .429"
 2. SOLDER CENTER CONTACT.

DESCRIPTION	MATERIAL	FINISH	QTY
8			
7			
5	COVER	BRASS	1
4	FERRULE	COPPER	1
3	CONTACT PIN	BRASS	1
2	INSULATOR	TEFLON	1
1	BODY	BRASS	1

UNLESS OTHERWISE SPECIFIED	UNLESS OTHERWISE SPECIFIED
ALL DIMENSIONS ARE IN MILLIMETERS	ALL DIMENSIONS ARE IN MILLIMETERS
UNLESS OTHERWISE SPECIFIED	UNLESS OTHERWISE SPECIFIED
TOLERANCES FOR MILLIMETERS ARE:	TOLERANCES FOR MILLIMETERS ARE:
0.5 - 3.0mm ± 0.20mm	0.5 - 3.0mm ± 0.20mm
3.0 - 120mm ± 0.50mm	3.0 - 120mm ± 0.50mm
UNLESS OTHERWISE SPECIFIED	UNLESS OTHERWISE SPECIFIED
TOLERANCES FOR INCHES ARE:	TOLERANCES FOR INCHES ARE:
.020 - .315 ± 0.007"	.020 - .315 ± 0.007"
.315 - 1.180 ± 0.015"	.315 - 1.180 ± 0.015"
1.180 - 4.724 ± 0.020"	1.180 - 4.724 ± 0.020"

APPROVALS	DATE
DRAWN G.R.S.	01/09/05
CHECKED	
DESIGN	
SHEET 1 OF 1	

PART DESCRIPTION	PART NO.
TNC R/A CRIMP PLUG (FOR RG-214/U CABLE)	122503

DWG. NO.	REV.	NC	SIZE	SCALE
122503.DWG	NC		A	NA

Amphenol Connex

Mouser Electronics

Authorized Distributor

Click to View Pricing, Inventory, Delivery & Lifecycle Information:

[Amphenol:](#)

[122503](#)