

5

4

3

2

1

D

C

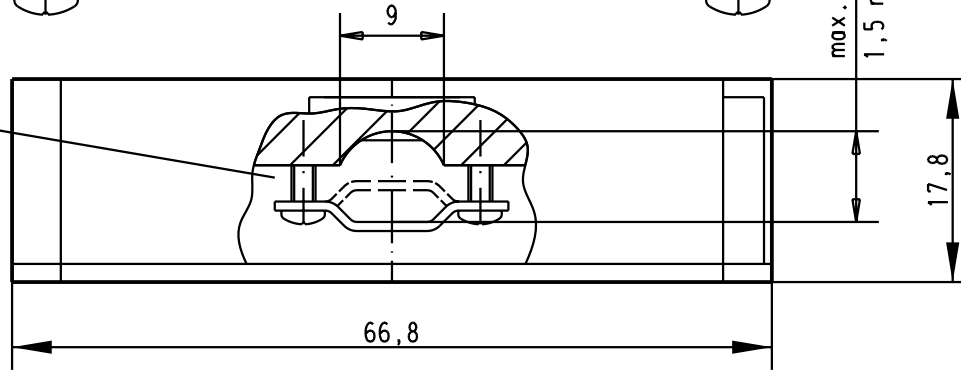
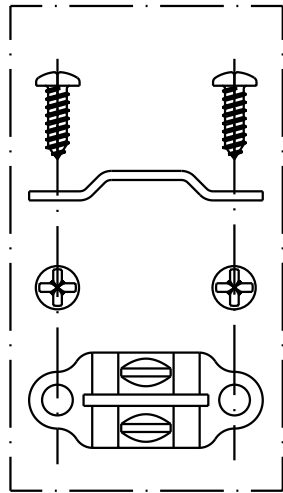
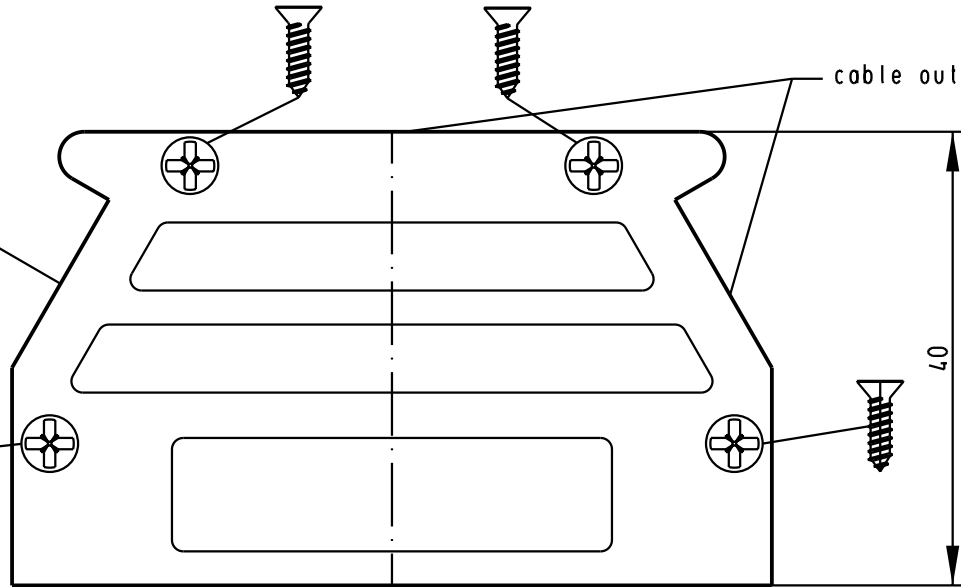
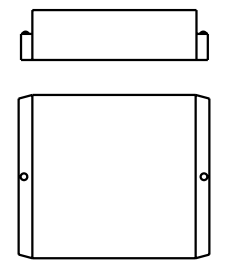
B

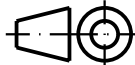

A

optional cable output

cable output

Cover in place of cable output



					Det.	Name	 All Dim. in mm Orig. Size DIN A 4	D-Sub, Hood 50 poles Top and side cable entry Maßstab/ Scale 1.5:1	
					Detail.	28-MAR-02			CV
					Insp.				
					Stand.				
09 67 050 0453	Thermoplastic metallized				HARTING EURL F-95972 Paris 			TB 0967050045x Blatt / Page 1 /	
09 67 050 0452	Thermoplastic black	29760	28-MAR-02	CV					
Part number	Material	Mod.	Dat.	Name					Sub.

Mouser Electronics

Authorized Distributor

Click to View Pricing, Inventory, Delivery & Lifecycle Information:

[HARTING:](#)

[09670500452](#) [09670500453](#)