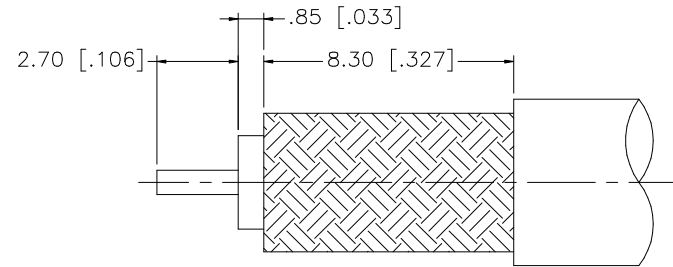
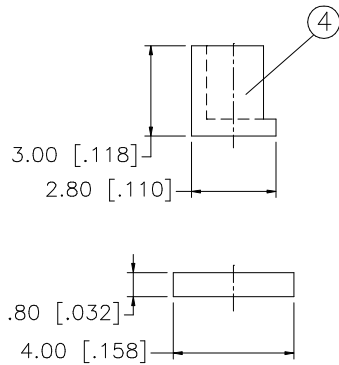
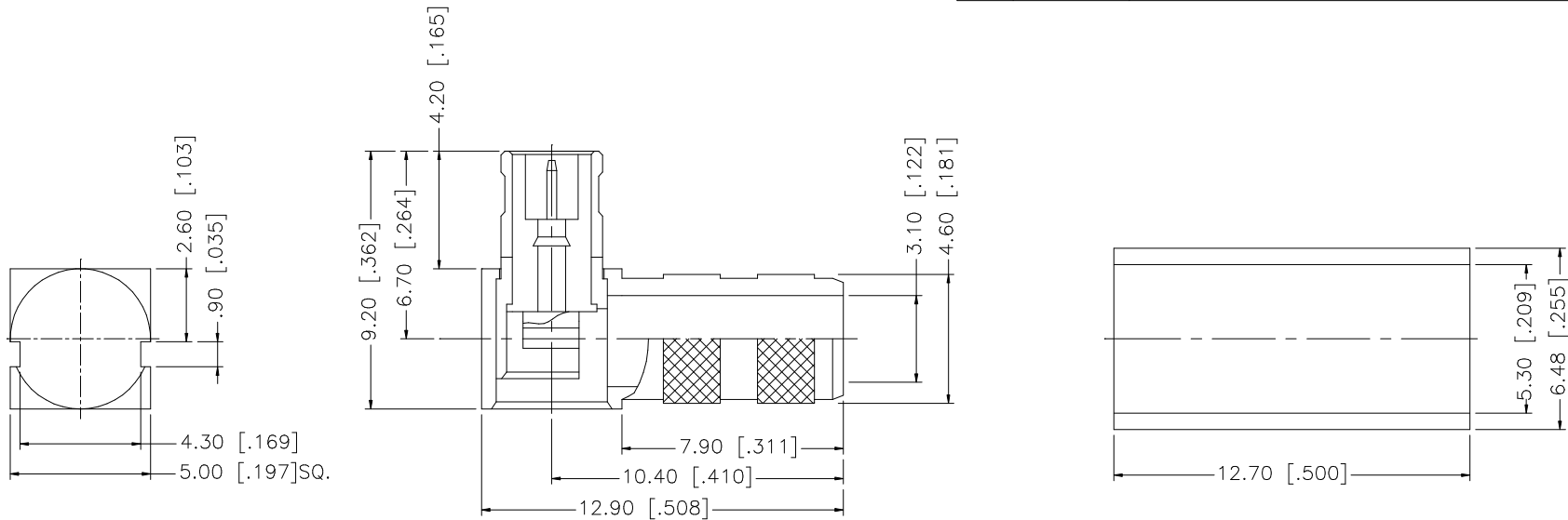


REV.	DATE	DESCRIPTION
NC	12/04/97	INITIAL RELEASE
A	07/20/05	UPDATE DRAWING FORMAT



RECOMMENDED
CABLE STRIPPING DIM'S

REV.	DATE	DESCRIPTION				
8						
7						
6	FERRULE	COPPER				
5	COVER	BRASS				
4	INSULATOR	DELTRIN				
3	CONTACT PIN	BER. COPPER				
2	INSULATOR	TEFLON				
1	BODY	BRASS				
	DESCRIPTION	MATERIAL				
		FINISH				
		QTY				
<p>UNLESS OTHERWISE SPECIFIED DIMENSIONS ARE IN MILLIMETERS. DIMENSIONS IN [] ARE IN INCHES AND FOR CUSTOMER REFERENCE ONLY.</p> <p>UNLESS OTHERWISE SPECIFIED TOLERANCES FOR MILLIMETERS ARE: 0.5 - 8mm ± 0.20mm 8 - 30mm ± 0.40mm 30 - 120mm ± 0.50mm</p> <p>UNLESS OTHERWISE SPECIFIED TOLERANCES FOR INCHES ARE: .020 - .315 = ± 0.007" .315 - 1.180 = ± 0.015" 1.180 - 4.724 = ± 0.020"</p> <p>DO NOT SCALE DRAWING</p>			<p>APPROVALS</p> <p>DRAWN G.R.S.</p> <p>CHECKED</p> <p>ISSUED</p> <p>SHEET 1 OF 1</p> <p>CAD FILE C:/252/252115.DWG</p>	<p>DATE</p> <p>07/20/05</p>	<p>Amphenol Connex</p> <p>PART DESCRIPTION</p> <p>MCX R/A CRIMP PLUG - RG58/U</p> <p>PART NO.</p> <p>252115</p> <p>DWG. NO.</p> <p>252115.DWG</p>	<p>REV. A</p> <p>SIZE A</p> <p>SCALE NA</p>

Mouser Electronics

Authorized Distributor

Click to View Pricing, Inventory, Delivery & Lifecycle Information:

[Amphenol:](#)

[252115](#)