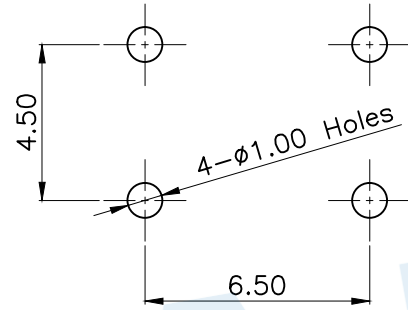
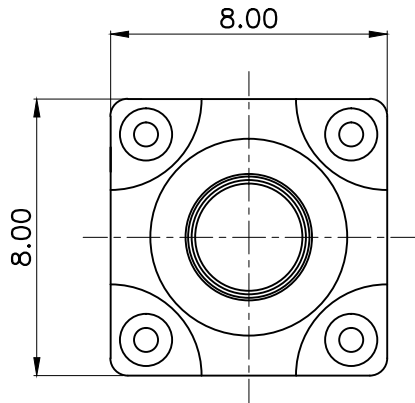
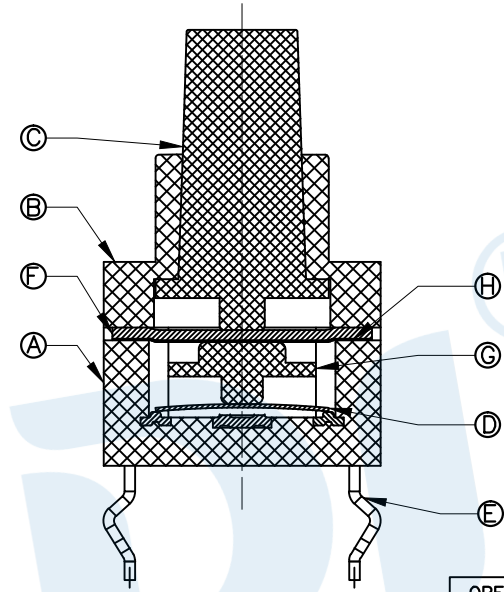


RoHS



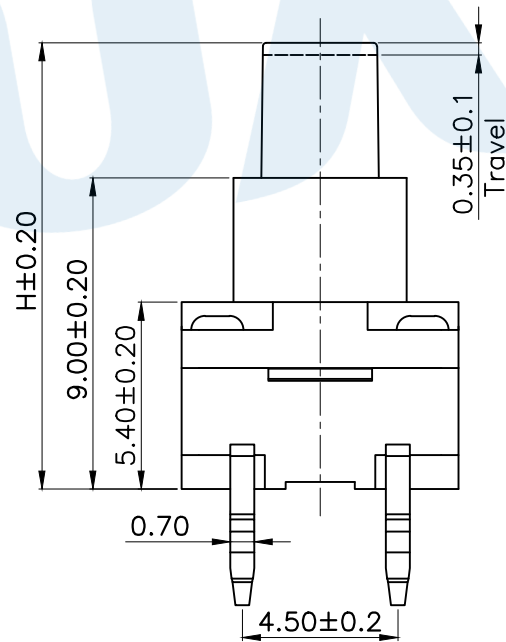
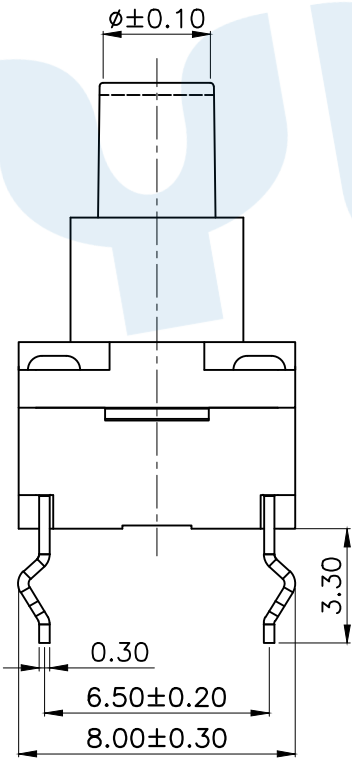
PCB Layout(Pattern side)



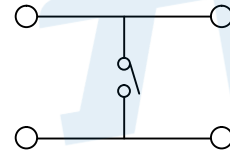
OPERATING FORCE	
CODE	VIGOR
B2	180±50gf
B3	250±50gf
B4	300±50gf
B5	350±50gf

SHRAPNEL		
CODE	MATERIAL/QTY	
D1	C5210/1PCS	
D2	SUS/1PCS	

TOTAL HEIGHT					
CODE	H	φ	CODE	H	φ
A15	12	3.0	A18	15	2.9
A155	12.5	3.0	A19	16	2.9
A16	13	3.0	A20	17	2.9
A165	13.5	3.0	A21	18	2.9
A17	14	3.0	A22	19	2.9
A175	14.5	3.0	A23	20	2.9



0.35±0.1
Travel



Circuit Diagram

NO.	Name	Number	Qty	Materil	Remarks
(H)	Dust Cover	1		Polyimide tape	Yellow
(G)	Gasket	1		PPA	Black
(F)	Waterproof mat	1		Silica gel	Black
(E)	Terminal	4		Brass(0.3t)	Silvering
(D)	Reed	1		SUS	Silver covered
(C)	Base	1		PPA	Black
(B)	Cover	1		PPA	Black
(A)	Button	1		PPA	Black

YUANDI® Yuandi Electronics Co, Ltd

design	date	name	
Review	date	TACT SWITCHS	
Approved	date	model	TS-1012A-A□B□-D□

Drawing number: Proportion 1:1 unit mm gage number A4

modify Review Approved Tolerance not specified

angle	±2'
10~30	±0.30
5~10	±0.20
~ 5	±0.10