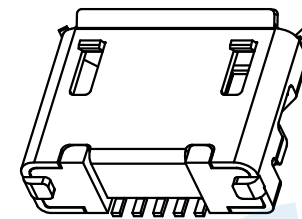
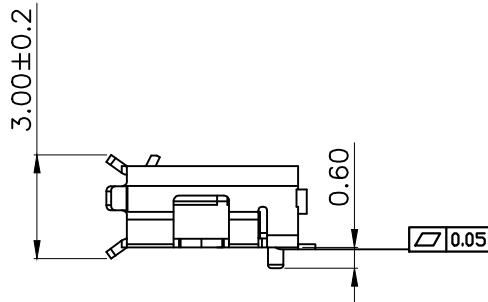
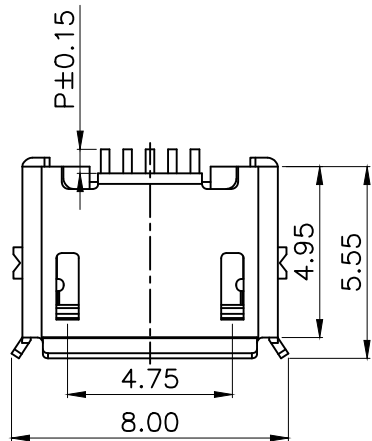


RoHS



Pin length	
CODE	P
P1	0.80
P2	1.00
P3	1.25

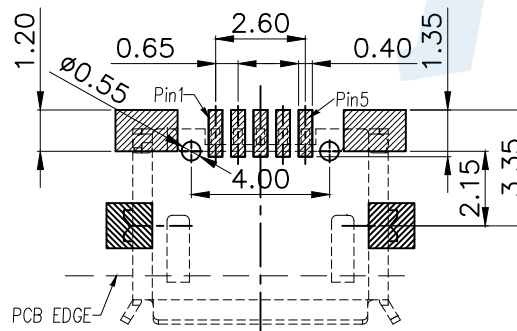
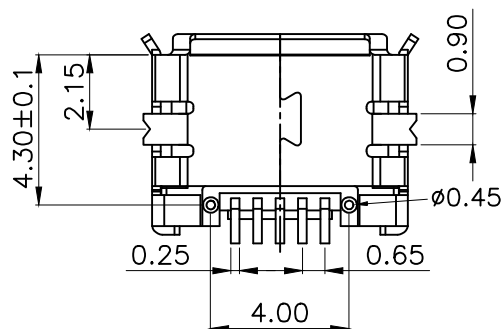
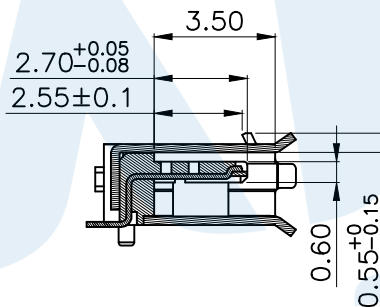
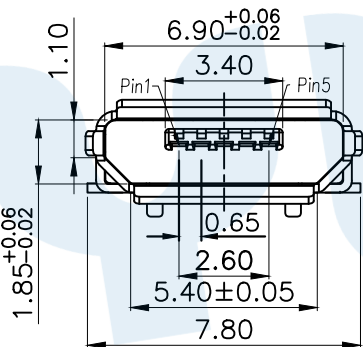
规格说明:Specifications

电气特性:Electrical

- 1.额定电流:Current Rating  
1.0A/contact terminal
- 2.额定电压:Voltage Rating  
30V DC
- 3.接触阻抗:Contact Resistance  
50 milliohms Max
- 4.耐电压:Dielectric Withstanding Voitage  
AC 100V/1MINUTE.
- 5.绝缘阻抗:Insulation Resistance  
100MEGA Ohms Min

物理性能:Mechanical

- 1.插拔力:Connector Mate and Unmate Force  
Insertion force:3.57kgf(MAX)  
Extraction force:1.02kgf(Min).0.81~2.05kgf(Min).
- 端子保持力:Terminal Retention  
0.5kgf(MIN)



Recommended P.C.B Layout

NO.	Name	Number	Qty	Materil	Remarks
①	Terminal	5		Brass	Au Plating
②	Shee	1		Brass	Tin Plating
③	Base	1		LCP	Black

YUANDI® Yuandi Electronics Co, Ltd

design	date	name	USB CONNECTOR
Review	date	model	MICRO-03-P□-A1T2
Approved	date		

Drawing number: Proportion 1:1 unit mm gage number A4

modify Review Approved Tolerance not specified

angle	±2'
10~30	±0.30
5~10	±0.20
~ 5	±0.10