

FEATURES

- Available in stainless steel, nickel plated steel alloy and anodised aluminium alloy
- Capacity 1000 KG
- Rated output: 2.0 or 3.0mV/V
- Bolt size is M12*1.75

RS PRO Shear Beam Load Cell

RS Stock No.: 204-2766



RS Professionally Approved Products bring to you professional quality parts across all product categories. Our product range has been tested by engineers and provides a comparable quality to the leading brands without paying a premium price.

Product Description

Shear beam load cells 3510 are designed specifically for high accuracy applications in tank and vessel weighing, filling systems, platform scales, bagging machinery, belt scales and conveyor systems.

Capacities: 1000kg

Material: Stainless Steel

Dimension: 130*31.8*31.8mm

Rated Output: 2.0mV/V/3.0mV/v

Protection Class: IP66

Applications

Hopper scales, Truck scales, platform scale, floor scale, Industrial weighing system

Electrical Specifications

Rated Capacities	1000kg
Accuracy Class	OIMLC3 NTEP5000 Class III Multiple cell
Rated Output	2.0±0.002 mV/V 3.0±0.003mV/V
Zero Balance	±0.0200 mV/V
Non-linearity	0.03 % R.O.
Hysteresis	0.03 % R.O.
Repeatability	0.03 % R.O.
30mins Creep	0.03 % R.O.
30mins Return	0.03 % R.O.
Safe Overload	150 % R.O.
Ultimate Overload	200 % R.O.
Temperature Effect on Output	0.002 %R.O./°C
Temperature Effect on Zero	0.003 %R.O./°C
Input Impedance	385±10 Ω
Output Impedance	350±5 Ω
Insulation Impedance	≥5000 MΩ/(50VDC)
Recommended Excitation	5~12 VDC
Maximum Excitation	15 VDC
Operating Temperature Range	-20~60 °C
Construction	Stainless Steel
Cable	φ5×3m
Recommended Platform Size	100×100 cm, 120×120 cm, 150×150 cm, 150×200 cm etc.
Mode of Connection	Red (EXC+), Black (EXC-), Green (SIG+) , White (SIG-)

Load Cells

Protection Category

Waterproof class IP66

Classification

eCI@ss (Version) C3

Approvals

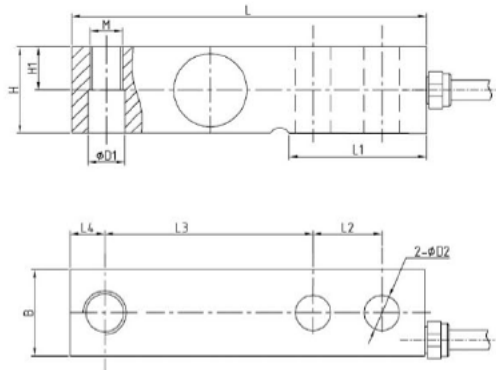
Declarations ROHS, OIML

Additional Information

Custom Tariff Number 84239000

Dimensions:

Unit (mm)

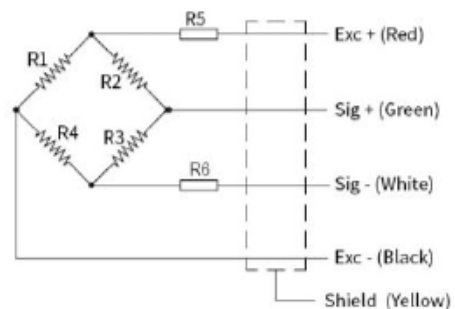


Rated Capacity	100/200/250/500kg, 1/1.5/2/2.5 /3/5/7.5/10t 200/250/300/500lb, 1/1.5/2/2.5/3/5/10/20klb
Accuracy Class	OIML C3 NTEP 5000, Class III, Multiple Cell
Rated Output	2.0±0.002mV/V 3.0±0.003mV/V
Temperature effect on Zero	±0.02%F.S/10°C
Temperature effect on Sensitivity	±0.02%F.S/10°C
Creep (30min)	±0.02%F.S
Input Resistance	385±10Ω
Output Resistance	351±2Ω
Operating Temperature Range	-30~+70°C
Insulation Resistance	≥ 5000MΩ (at 50VDC)
Safe Overload	150%F.S
Destructive Load	300%F.S
Excitation Recommend	4~12VDC Max:15VDC
Construction	Alloy Steel or Stainless steel
Protection class	IP67/IP68
Application for	Floor scales, pallet scales, weighing module etc.

Cable length:

4 Core cable standard lengths: 3m(250kg~2.5t
200lb~2.5klb), 6m(3~10t, 5klb(LE)~20klb),
Diameter: Ø 5
Option: Customized cable length

Connection mode:



Capacity \ Dimension	L	L1	L2	L3	L4	H	H1	B	D1	D2	M
100~500kg, 1~2.5t	130	54	25.4	76.2	12.7	31.8	16.0	31.8	13.5	13	M12*1.75