

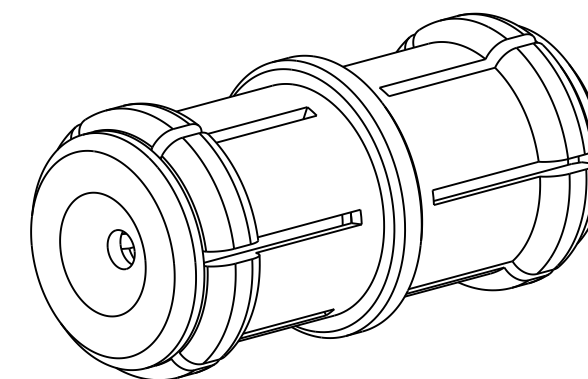
NOTES:

1. MATERIAL AND FINISH (PLATING THICKNESS IN MICRO-INCHES):
 BODY BERYLLIUM COPPER, ALBALOY PLATING OVER SILVER
 CONTACT PIN BERYLLIUM COPPER, GOLD PLATING
 INSULATOR PTFE, NATURAL
2. ELECTRICAL:
 A. IMPEDANCE: 50 OHM
 B. FREQUENCY RANGE: DC- 6 GHz
 C. RETURN LOSS(VSWR) AT AXIAL FLOAT POSITION:
 DC-3 GHz: 30 dB (1.07) @ NOMINAL
 21 dB (1.20) @ ±0.7 mm
 3-6 GHz: 29 dB (1.07) @ NOMINAL
 15 dB (1.43) @ ±0.7 mm
 D. INSULATION RESISTANCE: 5 GOHM MIN.
 E. POWER HANDLING: 40 W MAX. @ 2.6GHz AT 85°C
 F. 3TH PIM: -150 dBc Max. @ 2100 MHZ (2X43 dBM)
3. MECHANICAL:
 A. MATING CYCLES: 200 MIN FOR SMOOTH BORE
 50 MIN FOR LIMITED DETENT
 B. TEMPERATURE RANGE: -55°C TO +125°C
4. PACKAGING:
 A. PACKAGE IN 50 PIECE TRAYS
 B. MARK TRAYS: "AMPHENOL RF, 920-506A-51S, DATE CODE"

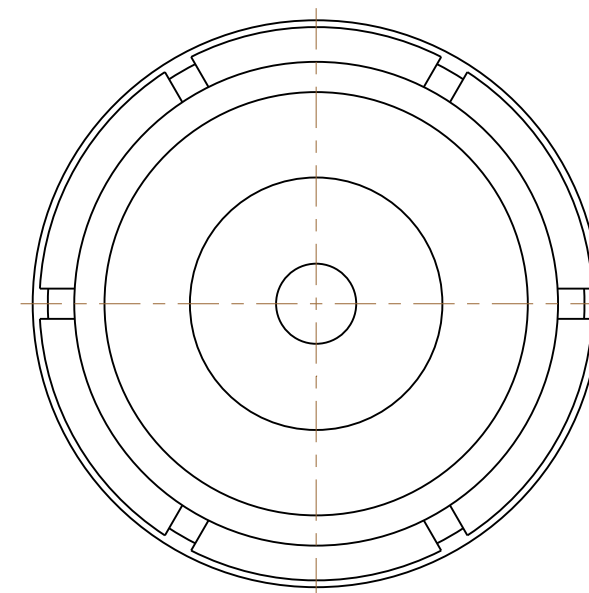
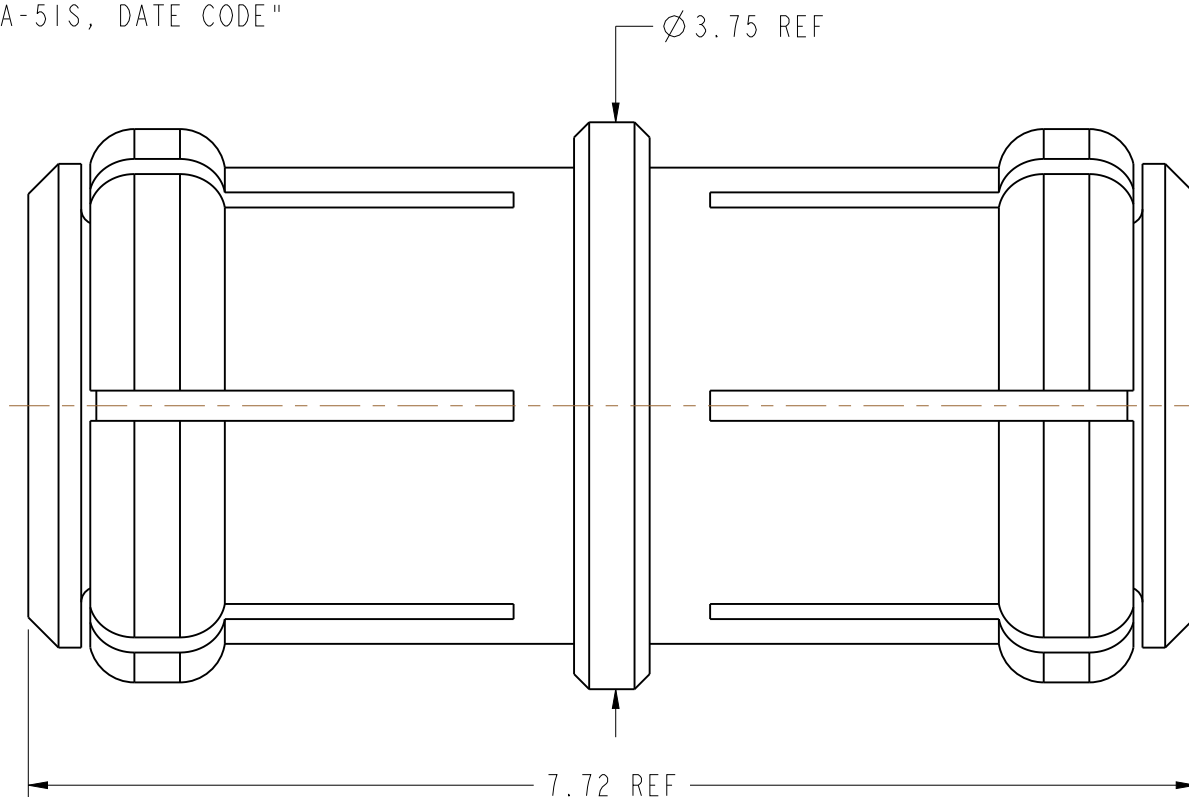
THIRD ANGLE PROJ.

REVISIONS

REV	DESCRIPTION	DATE	ECO	APPR
A	RELEASE TO MFG.	24-May-18	8168	BMG



SCALE 10.000



CUSTOMER OUTLINE DRAWING
 ALL OTHER SHEETS ARE FOR INTERNAL USE ONLY

UNLESS OTHERWISE SPECIFIED, DIMENSIONS ARE IN METRIC AND TOLERANCES ARE:
 <0.5mm ±0.05mm 0.5 - 6mm ±0.1mm 6 - 30mm ±0.2mm 30 - 120mm ±0.3mm ANGLES ±1°

NOTICE - These drawings, specifications, or other data (1) are, and remain the property of Amphenol corp. (2) must be returned upon request; and (3) are confidential and not to be disclosed to any person other than those to whom they are given by Amphenol Corp. the furnishing of these drawings, specifications, or other data by Amphenol Corp., or to any other person to anyone for any purpose is not to be regarded by implication or otherwise in any manner licensing, granting rights to permitting such holder or any other person to manufacture, use or sell any product, process or design, patented or otherwise, that may in any way be related to or disclosed by said drawings, specifications, or other data.

MATERIAL	DRAWN	DATE	TITLE	Amphenol RF www.amphenolrf.com DRAWING NO. 920-506A-51S ITEM NO. 920-506A-51S PART NO. 920-506A-51S
SEE NOTES	B. GREENBAUM	24-May-17	HD-EFI 7.72MM BULLET	
REFERENCE	ENGINEER	DATE		
EAR# 7563	B. GREENBAUM	24-May-17		
REF: 615X-3350-X00	APPROVED	DATE	SCALE: 20.0:1.0 SHEET 2 OF 2	
CONFIGURATION LEVEL: In Work	K. CAPOZZI	24-May-18	DWG SIZE B	REV A
FINISH	CAD FILE			

Mouser Electronics

Authorized Distributor

Click to View Pricing, Inventory, Delivery & Lifecycle Information:

[Amphenol:](#)

[920-506A-51S](#)