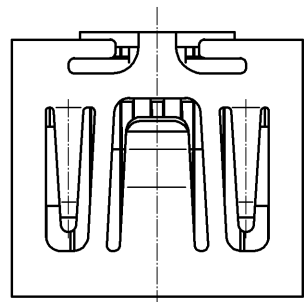
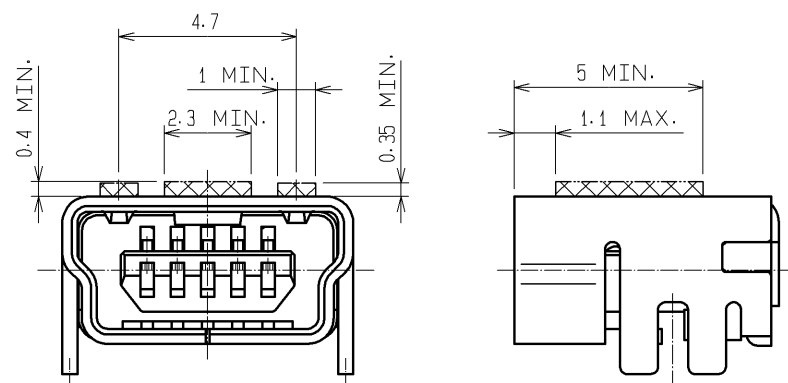


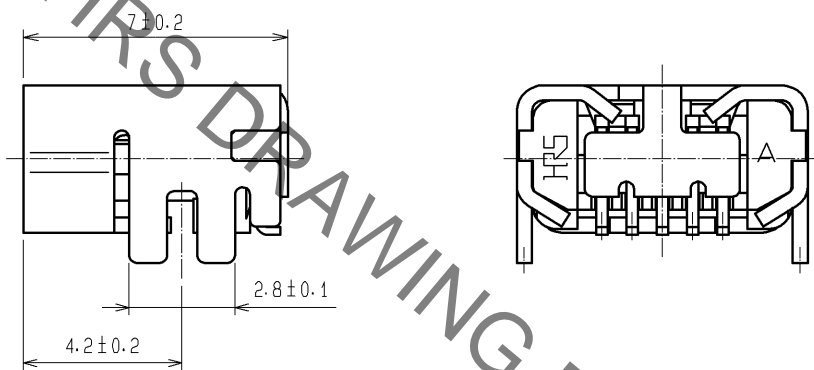
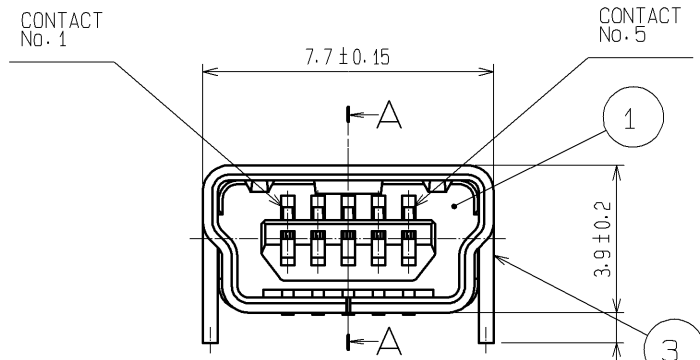
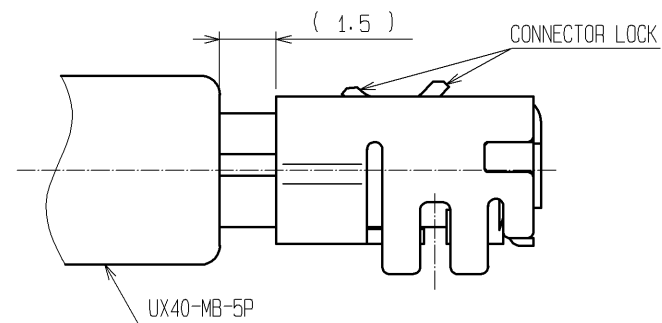
Aug.1.2020 Copyright 2020 HIROSE ELECTRIC CO., LTD. All Rights Reserved.
In case of consideration for using Automotive equipment / device which demand high reliability, kindly contact our sales window correspondents.



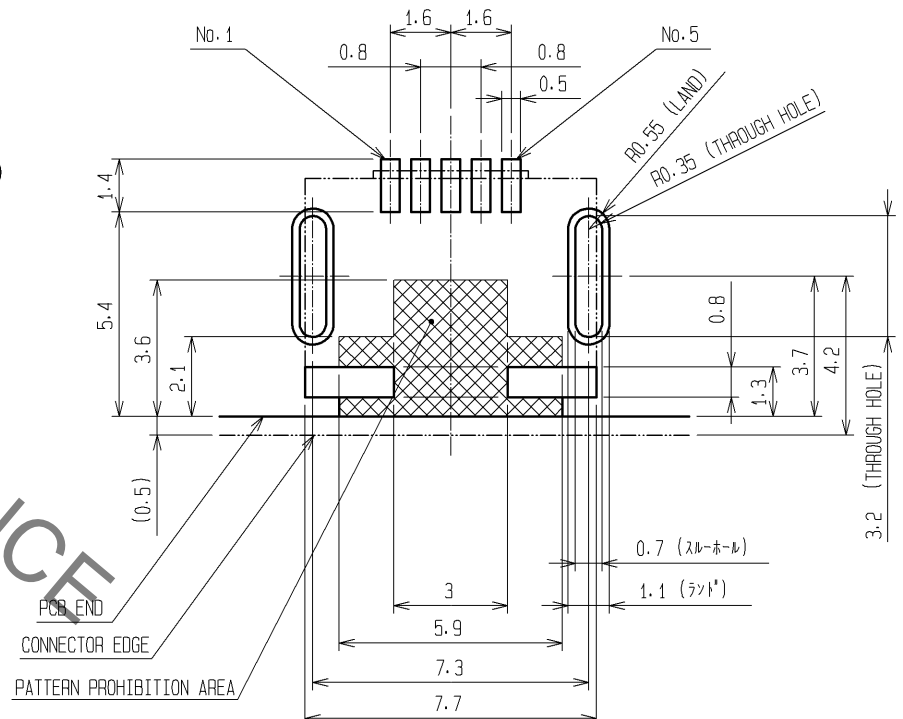
REFERENCE CONNECTOR LOCK CLEARANCE AREA



MATING FIGURE

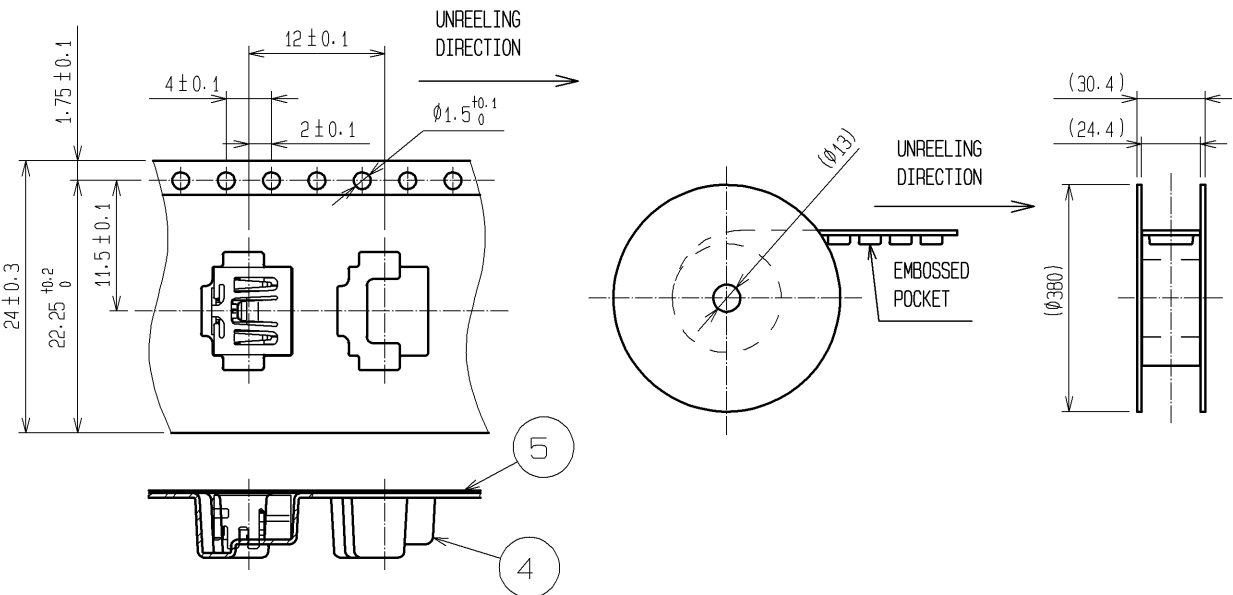


REFERENCE PCB AREA
(CONNECTOR MOUNTING FACE)



- NOTES.
1. INTERFACE DIMENSIONS CONFORM TO USB2.0 STANDARDS.
 2. 1000 PCS PER REEL.
 3. CONTACTS AND METAL SHELL ARE CO-PLANARITY TO BE 0.1 MAX.

DRAWING FOR PACKING(FREE)



2	COPPER ALLOY	CONTACT AREA : GOLD 0.75 μm MIN. LEED AREA : GOLD 0.03 μm MIN. UNDER PLATING : NICKEL 1.25 μm MIN.	5	PE	(TOP COVER TAPE)
			4	PS	(EMBOSSED CARRIER TAPE)
1	LCP	UL94V-0 COLOR : BLACK	3	COPPER ALLOY	SURFACE PLATING : TIN 1 μm MIN. UNDER PLATING : NICKEL 1 μm MIN.
NO.	MATERIAL	FINISH . REMARKS	NO.	MATERIAL	FINISH . REMARKS
UNITS mm		SCALE 5 : 1	COUNT 1	DESCRIPTION OF REVISIONS	
DESIGNED P. EKSOURIYA		CHECKED NM. NISHIMATSU		DATE 12. 11. 20	
APPROVED : NF. MIYAZAKI		09. 02. 25		DRAWING NO. EDC3-126060-02	
CHECKED : NF. MIYAZAKI		09. 02. 25		PART NO. UX60SC-MB-5S8(85)	
DESIGNED : HS. KIKUCHI		09. 02. 25		CODE NO. CL240-0020-3-85	
DRAWN : HS. KIKUCHI		09. 02. 25		1/1	

Mouser Electronics

Authorized Distributor

Click to View Pricing, Inventory, Delivery & Lifecycle Information:

[Hirose Electric:](#)

[UX60SC-MB-5S8\(85\)](#)