

DESCRIPTION


Demonstration Circuit 960 is a high voltage, current-mode DC/DC step-down converter featuring the LTC3824 in a small 10-pin MSOP package.

The board operates from a V_{in} range of 5.5V – 60V and outputs 5V_{out} @ 2A. The Converter uses a P-Ch MOSFET for the main switch resulting in a low parts count design. Operating frequency is set to 200kHz with the option to accept a synchronized external clock. A soft-start feature controls the output voltage slew rate at start-up, reducing current surges and voltage overshoots. Burst Mode operation that improves the effi-

ciency at light loads can be enabled with a jumper. The demonstration board has been laid out with the option for adding a second switching MOSFET to facilitate higher output currents.

This board is suitable for a wide range of Industrial control systems and particularly suitable for 12V/42V Automotive applications and 48V Telecom power supplies.

Design files for this circuit board are available. Call the LTC factory.

 , LTC and LT are registered trademarks of Linear Technology Corporation.

QUICK START PROCEDURE

DC960 is easy to set up to evaluate the performance of the LTC3824. Refer to Figure 1 for proper measurement equipment setup and follow the procedure below:

1. Use a 65V/8A or better Bench Power Supply.
2. Set the Power supply voltage to somewhere between 5V and 60V.
3. Set the Load to somewhere between 0 – 2A.
4. Make sure the SHDN/RUN jumper is in the RUN position.

QUICK START GUIDE FOR DEMONSTRATION CIRCUIT 960 HIGH VOLTAGE, P-CH MOSFET STEP-DOWN CONTROLLER

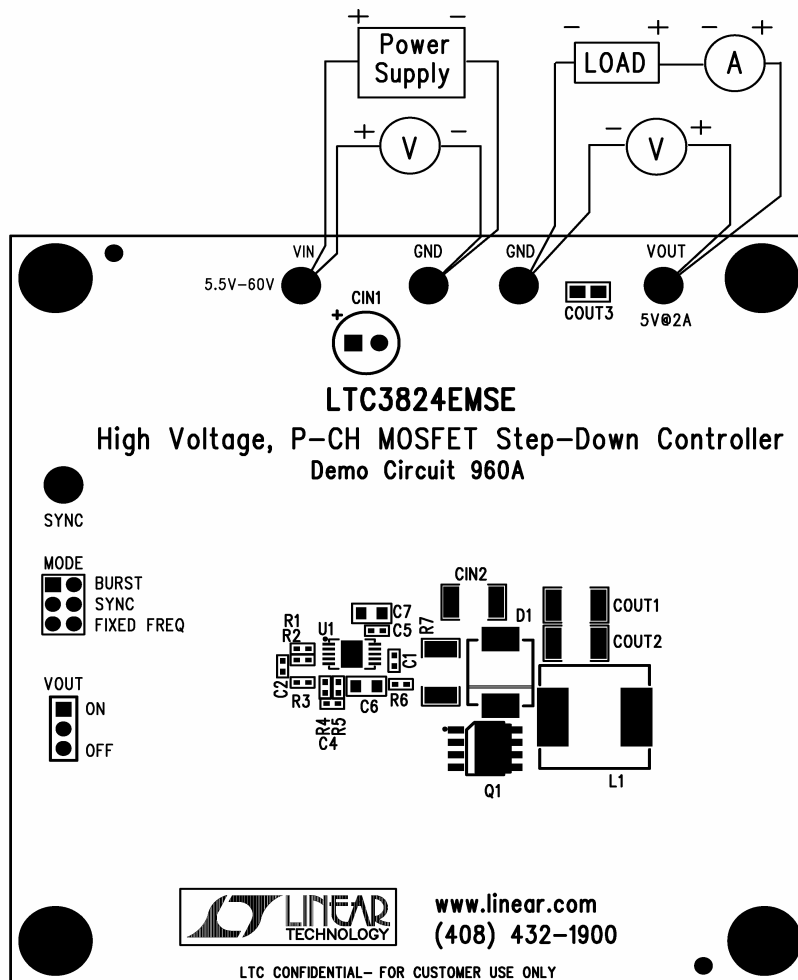
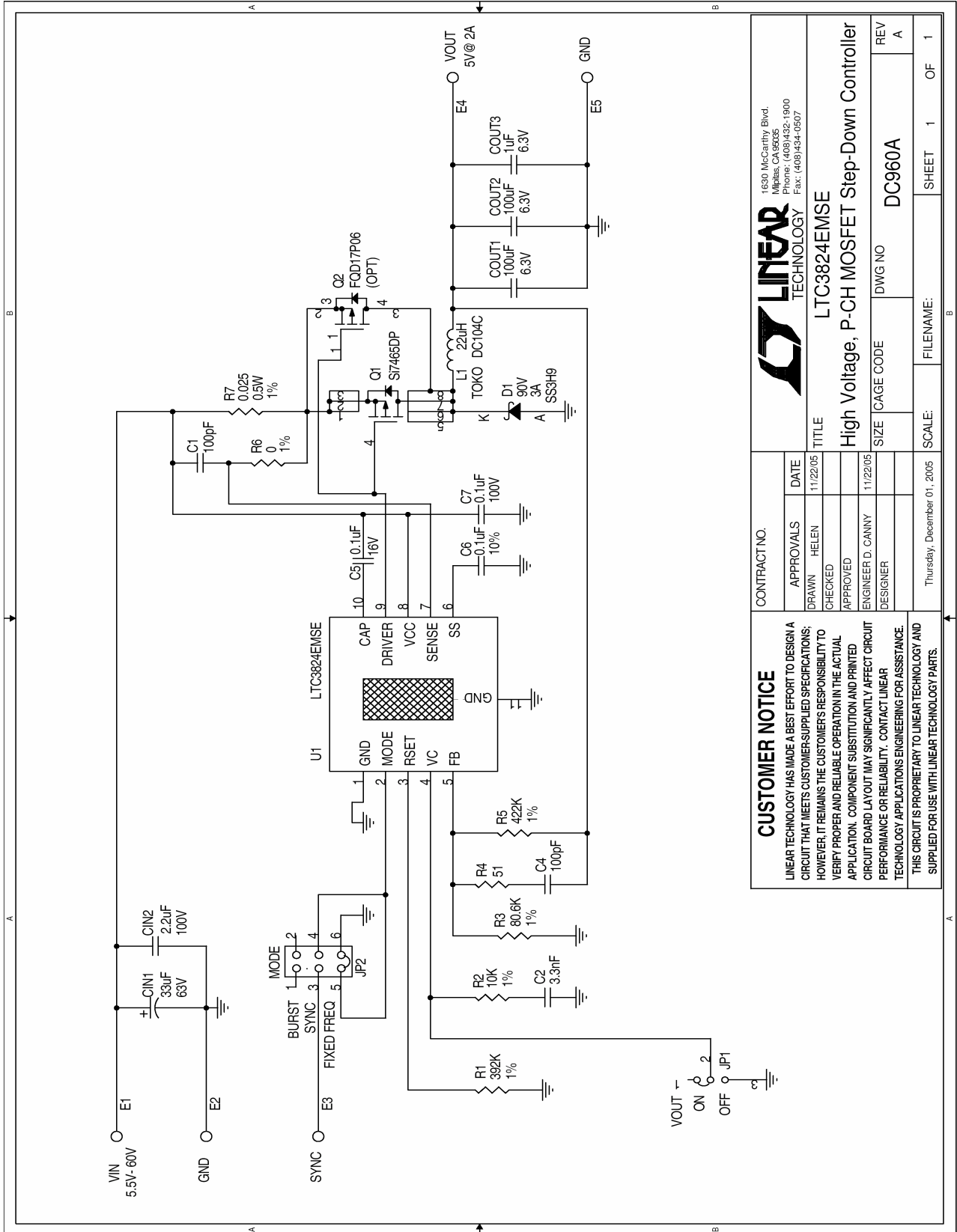


Figure 1. Proper Measurement Equipment Setup

QUICK START GUIDE FOR DEMONSTRATION CIRCUIT 960

HIGH VOLTAGE, P-CH MOSFET STEP-DOWN CONTROLLER



CUSTOMER NOTICE		CONTRACTING	
LINEAR TECHNOLOGY HAS MADE A BEST EFFORT TO DESIGN A CIRCUIT THAT MEETS CUSTOMER-SUPPLIED SPECIFICATIONS; HOWEVER, IT REMAINS THE CUSTOMER'S RESPONSIBILITY TO VERIFY PROPER AND RELIABLE OPERATION IN THE ACTUAL APPLICATION. COMPONENT SUBSTITUTION AND PRINTED CIRCUIT BOARD LAYOUT MAY SIGNIFICANTLY AFFECT CIRCUIT PERFORMANCE OR RELIABILITY. CONTACT LINEAR TECHNOLOGY APPLICATIONS ENGINEERING FOR ASSISTANCE. THIS CIRCUIT IS PROPRIETARY TO LINEAR TECHNOLOGY AND SUPPLIED FOR USE WITH LINEAR TECHNOLOGY PARTS.			
APPROVALS	DATE	TITLE	
DRAWN HELEN	11/22/05	LTC3824EMSE	
CHECKED		High Voltage, P-CH MOSFET Step-Down Controller	
APPROVED		SIZE	DWG NO
ENGINEER D. CANNY	11/22/05		DC960A
DESIGNER		SCALE	FILENAME:
	Thursday, December 01, 2005		SHEET 1 OF 1



1630 McCarthy Blvd.
Milpitas, CA 95035
Phone: (408)432-1900
Fax: (408)434-0507

QUICK START GUIDE FOR DEMONSTRATION CIRCUIT 960
HIGH VOLTAGE, P-CH MOSFET STEP-DOWN CONTROLLER

Item	Qty	Reference	Part Description	Manufacturer / Part #
REQUIRED CIRCUIT COMPONENTS:				
1	1	CIN1	Cap., Alum, 33uF, 63V, 20% (thru hole)	SANYO, 63ME33AX+TS
2	1	CIN2	Cap., X7R, 2.2uF, 100V, 20%, 1812	TDK, C4532X7R2A225M
3	2	COUT1, COUT2	CAP., X5R, 100uF, 6.3V, 20%, 1812	TDK, C4532X5R0J107M
4	1	COUT3	CAP., X5R, 1uF, 6.3V, 10%, 0603	AVX, 06036D105KAT
5	2	C1, C4	Cap., COG, 100pF, 50V, 10%, 0402	AVX, 04025A101KAT
6	1	C2	Cap., X7R, 3.3nF, 50V, 10%, 0402	AVX, 04025C332KAT
7	1	C5	Cap., X7R, 0.1uF, 16V, 10%, 0402	TDK, C1005X7R1C104K
8	2	C6, C7	Cap., X7R, 0.1uF, 100V, 10%, 0805	TDK, C2012X7R2A104K
9	1	D1	SCHOTTKY DIODE 90V	VISHAY, SS3H9-E3
10	2	L1	INDUCTOR, 22uH	TOKO, #919AS-220M=P3
11	1	Q1	P-CHANNEL MOSFET, SO-8 POWERPAK	VISHAY, Si7465DP-T1-E3
12	0	R1	RES., CHIP, 392K, 1/16W, 1%, 0402	AAC, CR05-3923FM
13	1	R2	RES., CHIP, 10K, 1/16W, 1%, 0402	AAC, CR05-1002FM
14	1	R3	RES., CHIP, 80.6K, 1/16W, 1%, 0402	AAC, CR05-8062FM
15	1	R4	RES., CHIP, 51, 1/16W, 5%, 0402	AAC, CR05-510JM
16	1	R5	RES., CHIP, 422K, 1/16W, 1%, 0402	AAC, CR05-4223FM
17	1	R6	RES., CHIP, 0, 1/16W, 0402	VISHAY, CRCW0402000Z0ED
18	1	R7	RES., CHIP, 0.025, 0.5W, 1%, 2010	VISHAY, WSL2010R0250FEA
19	4	U1	I.C, LTC3824EMSE#PBF, 10PIN MSOP	LINEAR TECH., LTC3824EMSE#PBF
ADDITIONAL DEMO BOARD CIRCUIT COMPONENTS:				
1	1	Q2(OPT)	P-CHANNEL MOSFET, D-PAK	FAIRCHILD SEMICONDUCTOR, FQD17P06
HARDWARE-FOR DEMO BOARD ONLY:				
1	1	JP1	0.079 SINGLE ROW HEADER, 3 PIN	SAMTEC, TMM-103-02-L-S
2	1	JP2	0.079 DOUBLE ROW HEADER, 6 PIN	SAMTEC, TMM-103-02-L-D
3	1	JP1, JP2	SHUNT,	SAMTEC, 2SN-BK-G
4	5	E1-E5	TESTPOINT, TURRET, .095"	MILL-MAX, 2501-2-00-80-00-00-07-0
5	4	(STAND-OFF)	STAND-OFF, NYLON 0.25" tall	KEYSTONE, 8831(SNAP ON)

Mouser Electronics

Authorized Distributor

Click to View Pricing, Inventory, Delivery & Lifecycle Information:

[Analog Devices Inc.:](#)

[DC960A](#)