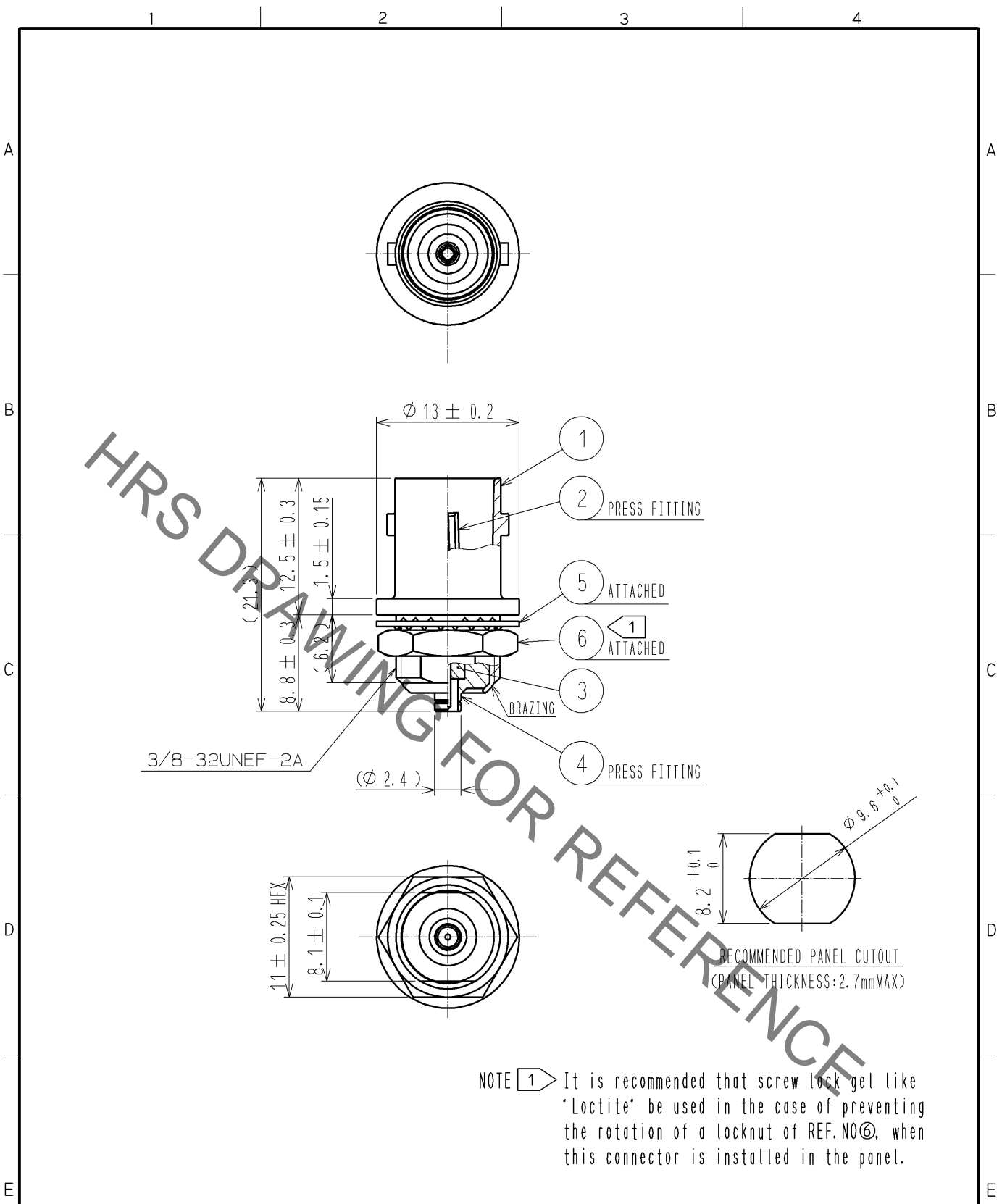


Sep.1.2020 Copyright 2020 HIROSE ELECTRIC CO., LTD. All Rights Reserved.  
In case of consideration for using Automotive equipment / device which demand high reliability, kindly contact our sales window correspondents.



RoHS COMPLIANT

NO.	MATERIAL	FINISH	REMARKS	NO.	MATERIAL	FINISH	REMARKS
3	PTFE			6	BRASS	NICKEL PLATING	
2	PHOSPHOR BRONZE	GOLD PLATING		5	STEEL	NICKEL PLATING	
1	ZINC ALLOY	NICKEL PLATING		4	BRASS	NICKEL PLATING	

UNITS	SCALE	COUNT	DESCRIPTION OF REVISIONS	DESIGNED	CHECKED	DATE
mm	2 : 1	△				

<b>HIROSE ELECTRIC CO., LTD.</b>	APPROVED : MH. YAMANE	11. 01. 28	DRAWING NO.	EDC4-301127-40	
	CHECKED : TS. NOBE	11. 01. 28	PART NO.	BNC(75)J-H. FLJ-BPA-V(40)	
	DESIGNED : YI. FUNADA	11. 01. 28	CODE NO.	CL311-0374-9-40	△ 1/1
	DRAWN : YI. FUNADA	11. 01. 28			

# Mouser Electronics

Authorized Distributor

Click to View Pricing, Inventory, Delivery & Lifecycle Information:

[Hirose Electric:](#)

[BNC\(75\)J-H.FLJ-BPA-V\(40\)](#)