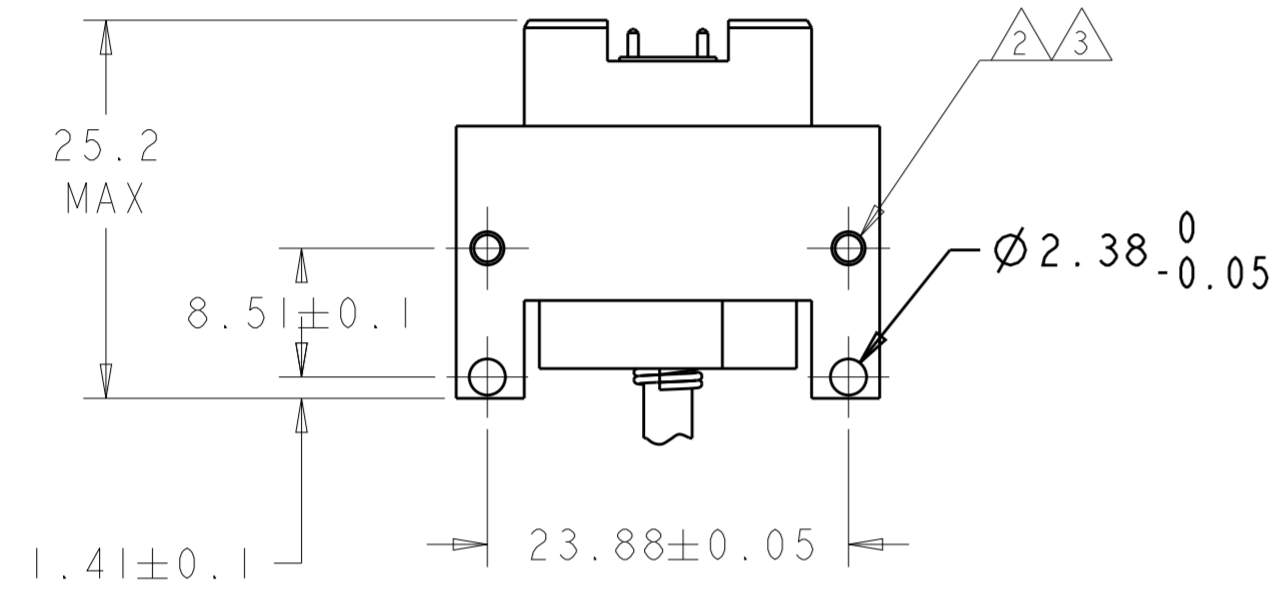
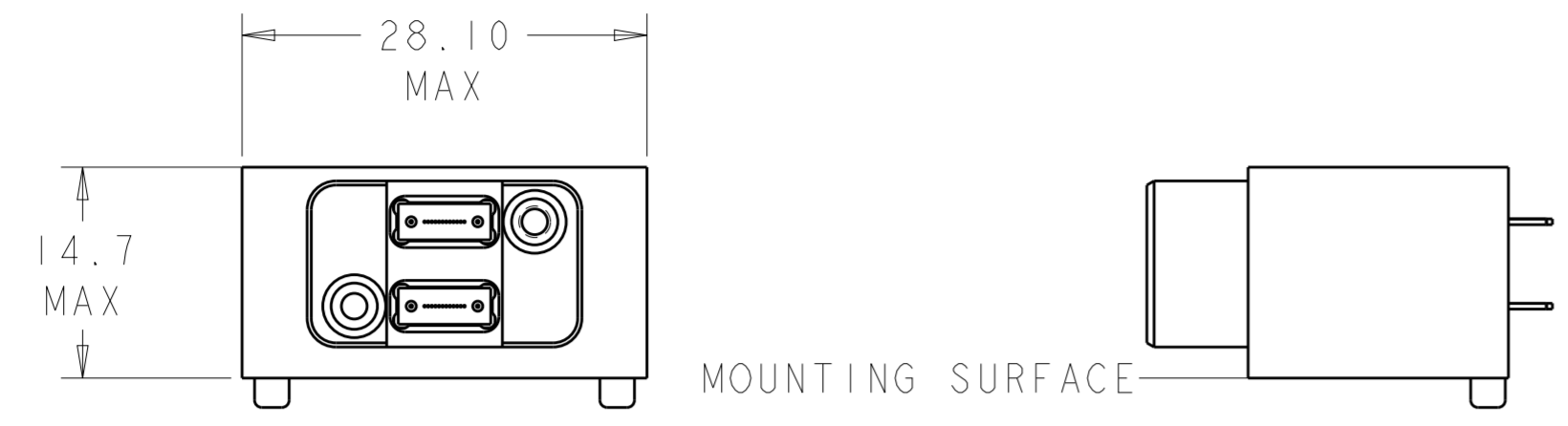


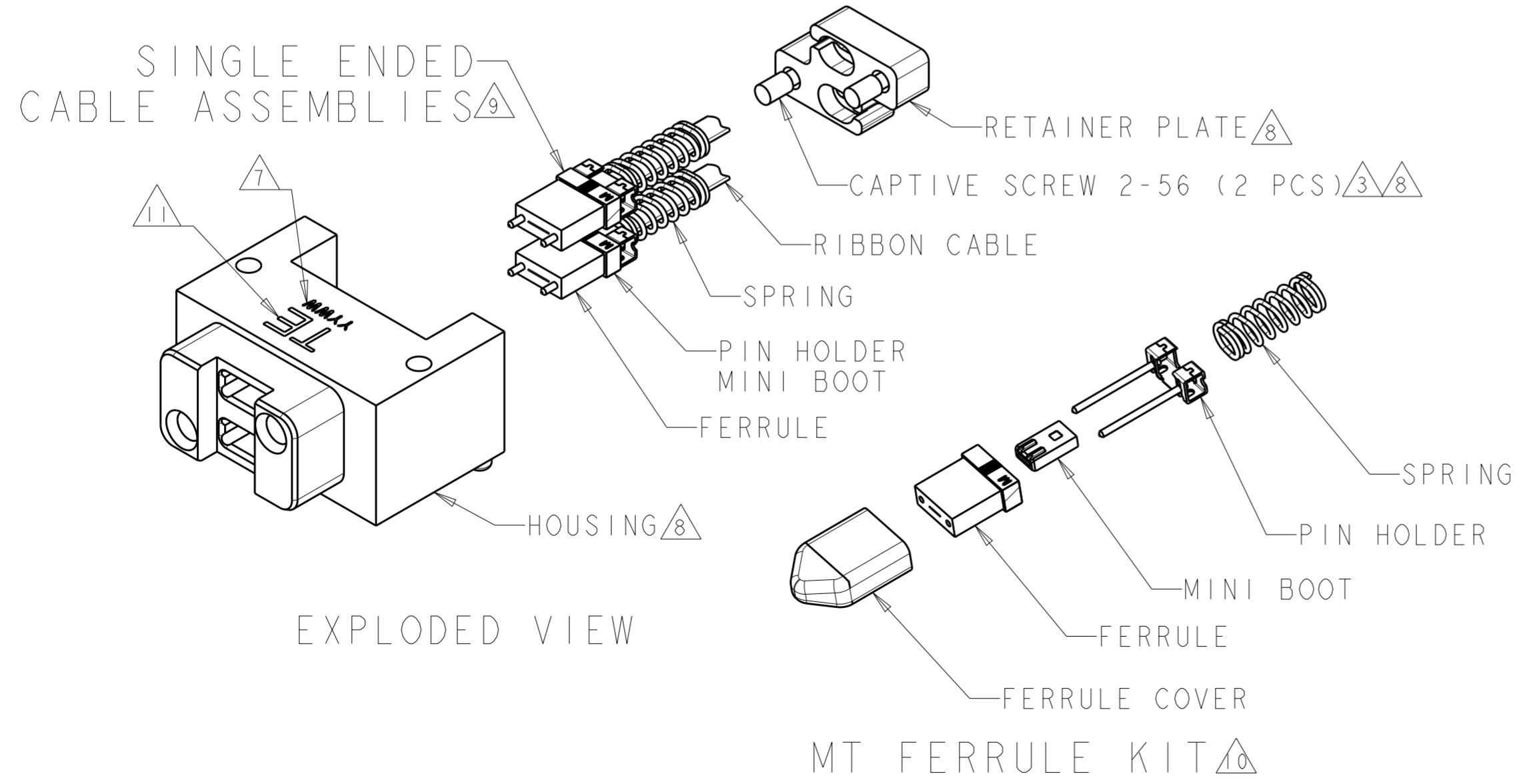
THIS DRAWING IS UNPUBLISHED. RELEASED FOR PUBLICATION 20
 © COPYRIGHT 20 BY - ALL RIGHTS RESERVED.

REVISIONS				
P	LTR	DESCRIPTION	DATE	APVD
A1		REVISE MT FERRULE ILLUSTRATION	20NOV2014	KG DW
A2		ECR-15-010353	16JUL2015	KG DW



ASSEMBLED VIEW
 WITH REFERENCE
 MT CABLE ASSEMBLIES INSTALLED

- 1 AREA REQUIRED FOR CONNECTOR PLACEMENT.
- 2 2-56 X 3/8" SCREWS WITH A PRE-APPLIED NYLOK PATCH ARE INCLUDED FOR PC-BOARD MOUNTING (NOT SHOWN). IF A PC-BOARD THICKER THAN 5.8mm IS USED LONGER SCREWS ARE REQUIRED.
- 3 RECOMMENDED TORQUE: 0.23-0.34 N-m [2-3 in-lb].
- 4 DATUM A REFERENCE PER ANSI/VITA 46.0-2007, APPENDIX C.
- 5 HOUSING & RETAINER PLATE:
 ALUMINUM ALLOY 6061 PER ASTM B209, OR ASTM B221.
 CAPTIVE SCREWS & BHCS: STAINLESS STEEL, 300 SERIES.
- 6 HOUSING & RETAINER PLATE:
 CLEAR CHROMATE CONVERSION COATING.
 CAPTIVE SCREWS & BHCS: PASSIVATED.
- 7 DATE CODE: YEAR & WEEK (YYWW).
- 8 THE MODULE CONNECTOR KIT, CONSISTING OF THE HOUSING, RETAINER PLATE WITH CAPTIVE SCREWS, AND 2-56 SCREWS, IS SHIPPED UNASSEMBLED.
- 9 SINGLE-ENDED FIBER-OPTIC (PIGTAIL) CABLE ASSEMBLIES ARE AVAILABLE SEPARATELY, 1938401-2.
- 10 UNASSEMBLED FIBER-OPTIC COMPONENTS KITS ARE AVAILABLE SEPARATELY, 2102866-2.
- 11 TE CONNECTIVITY PRODUCT IDENTIFIER.



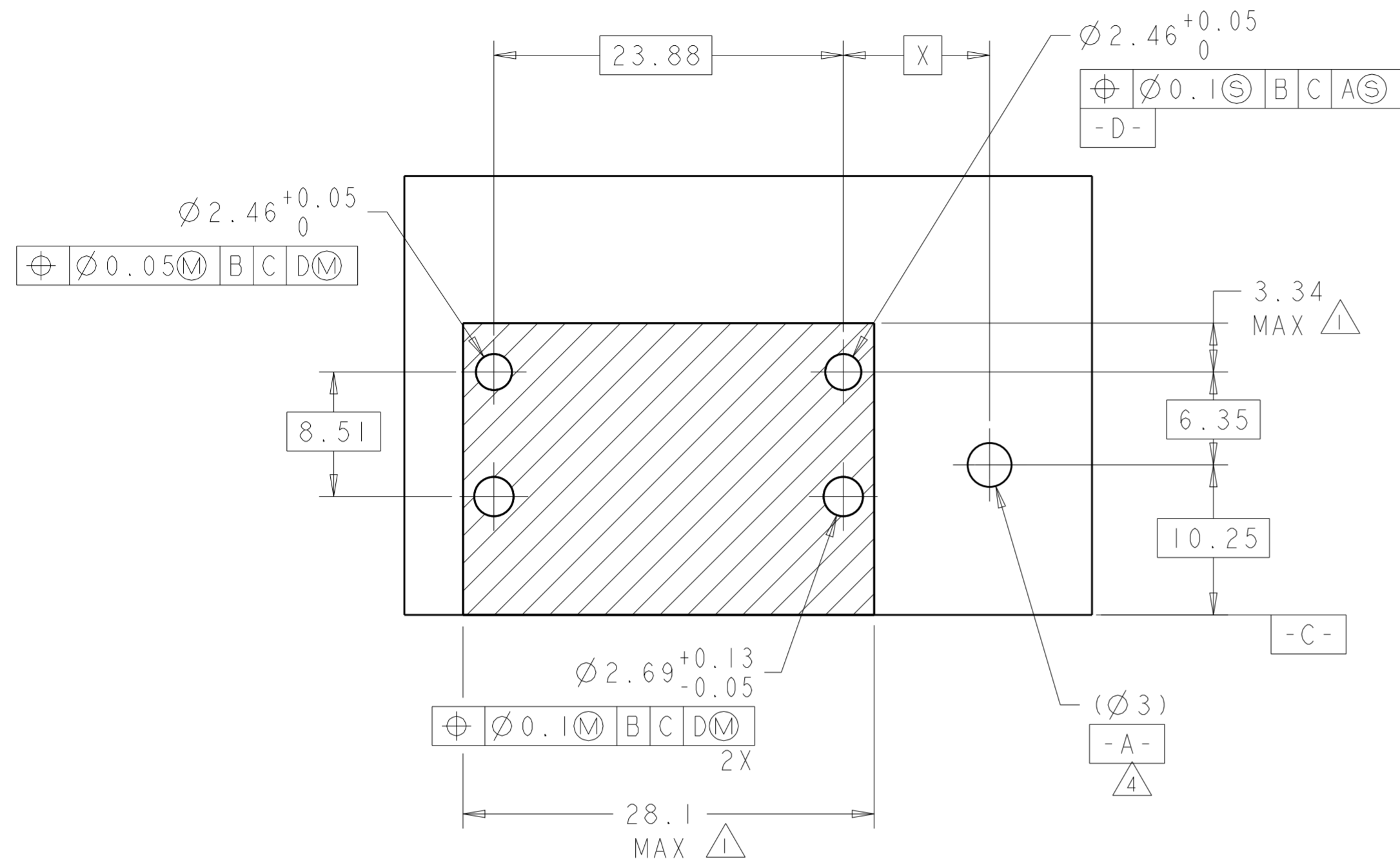
EXPLODED VIEW

PLUG (MODULE) KIT	A	2000974-1
COMMENT	PART REVISION	PART NUMBER

THIS DRAWING IS A CONTROLLED DOCUMENT. DIMENSIONING AND TOLERANCING PER ASME Y14.5M-2009		DWN R FLAIG 02JUN2009	TE Connectivity	
DIMENSIONS: mm		CHK J MOSIER 02JUN2009		
TOLERANCES UNLESS OTHERWISE SPECIFIED:		APVD J MOSIER 02JUN2009	NAME	
0 PLC ±	1 PLC ±	PRODUCT SPEC	CONNECTOR KIT, PLUG, (MODULE) FIBER OPTIC, MT, VITA 66.1-STYLE	
2 PLC ±	3 PLC ±	APPLICATION SPEC	SIZE	CAGE CODE
4 PLC ±	ANGLES ±	114-32050	A200779	C-2000974
MATERIAL	FINISH	WEIGHT	SCALE	SHEET
5	6	-	3:1	1 OF 2
Customer Drawing			REV	A2

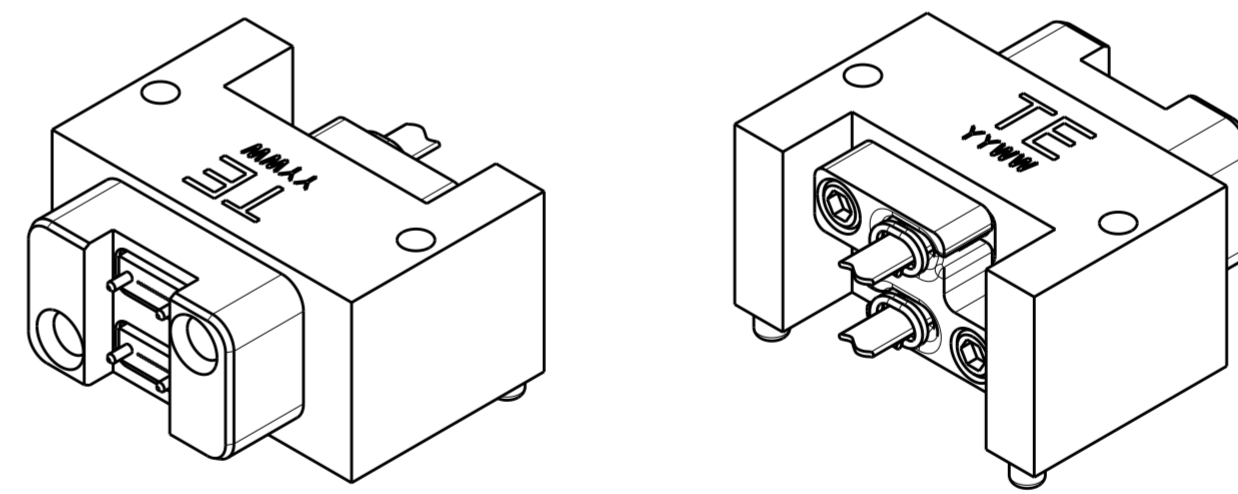
THIS DRAWING IS UNPUBLISHED. RELEASED FOR PUBLICATION 20
 © COPYRIGHT 20 BY - ALL RIGHTS RESERVED.

REVISIONS				
P	LTR	DESCRIPTION	DATE	APVD
-	-	SEE SHEET 1	-	-



RECOMMENDED PLUG-IN MODULE FOOTPRINT

CONNECTOR LOCATION ON MODULE PCB	
POSITION	DIM "X"
P2	53.73
P3	96.55
P4	125.35
P5	154.15
P6	182.95



ASSEMBLED VIEW, WITH REFERENCE MT CABLE ASSEMBLIES INSTALLED

THIS DRAWING IS A CONTROLLED DOCUMENT. DIMENSIONING AND TOLERANCING PER ASME Y14.5M-2009		DWN R FLAIG 02JUN2009	TE Connectivity
DIMENSIONS: mm		CHK J MOSLER 02JUN2009	
TOLERANCES UNLESS OTHERWISE SPECIFIED:		APVD J MOSLER 02JUN2009	NAME
0 PLC ±	1 PLC ±	PRODUCT SPEC	CONNECTOR KIT, PLUG, (MODULE)
2 PLC ±	3 PLC ±	108-2467	FIBER OPTIC, MT, VITA 66.1-STYLE
4 PLC ±	ANGLES ±	APPLICATION SPEC	-
MATERIAL	FINISH	114-32050	SIZE CAGE CODE DRAWING NO
-	-	WEIGHT	A200779 C-2000974
-	-	Customer Drawing	RESTRICTED TO
		SCALE 2:1	SHEET 2 OF 2
			REV A2

Mouser Electronics

Authorized Distributor

Click to View Pricing, Inventory, Delivery & Lifecycle Information:

[TE Connectivity:](#)

[2000974-1](#)