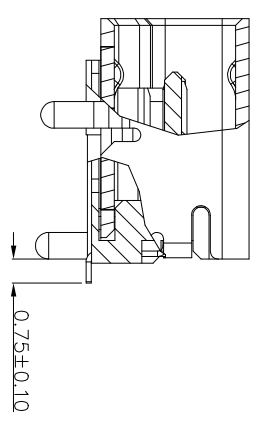
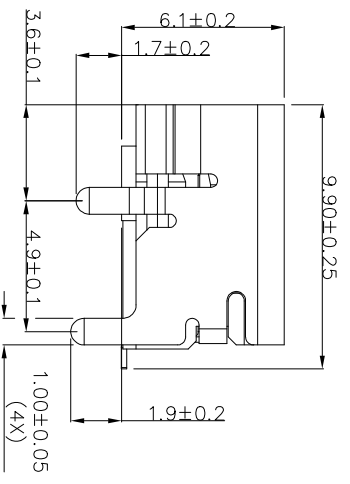
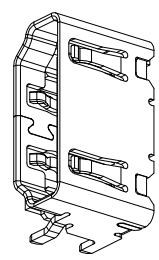
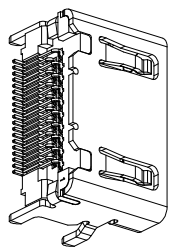
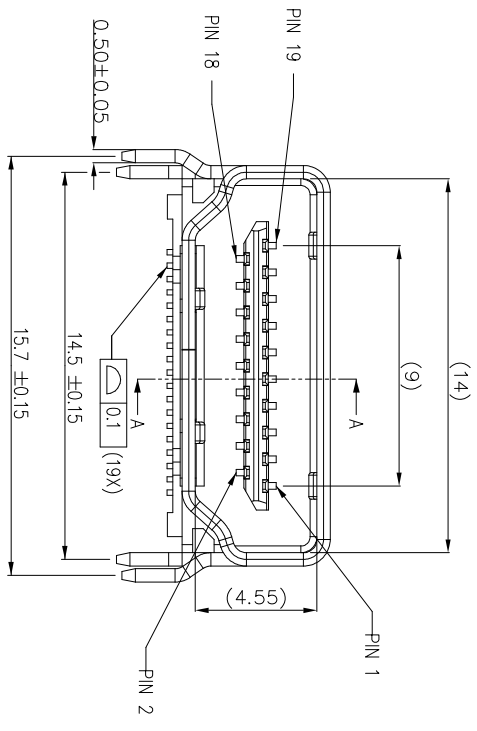
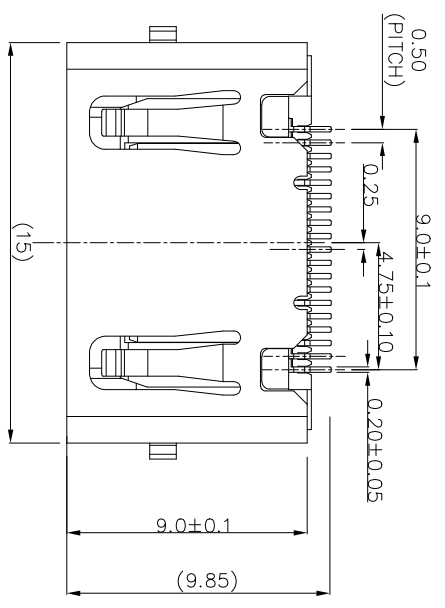


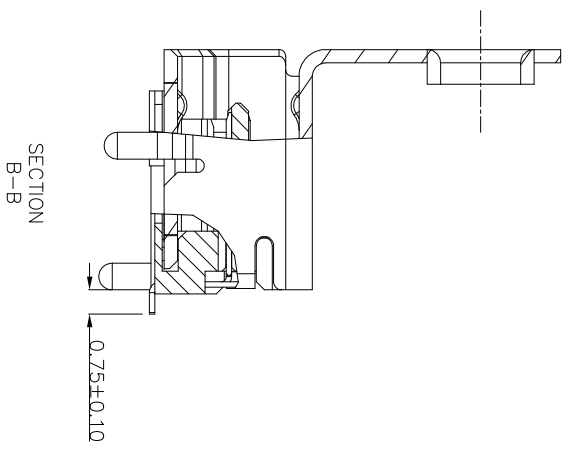
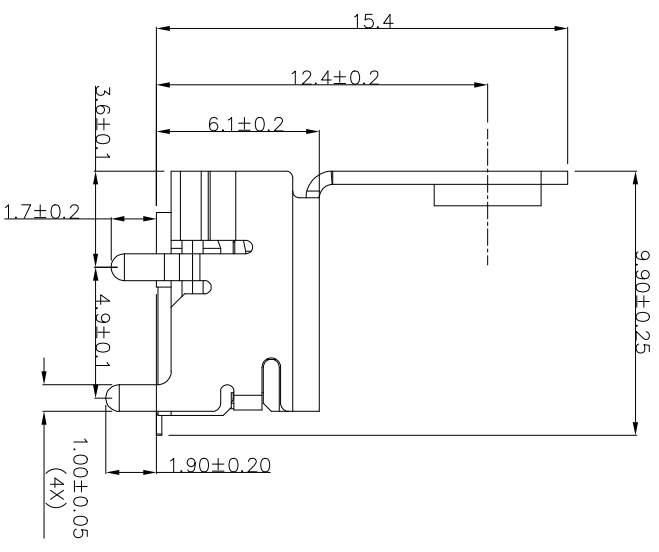
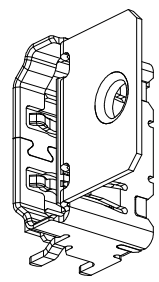
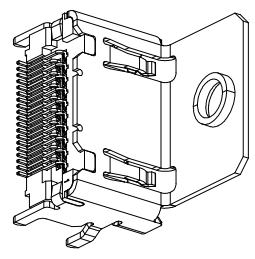
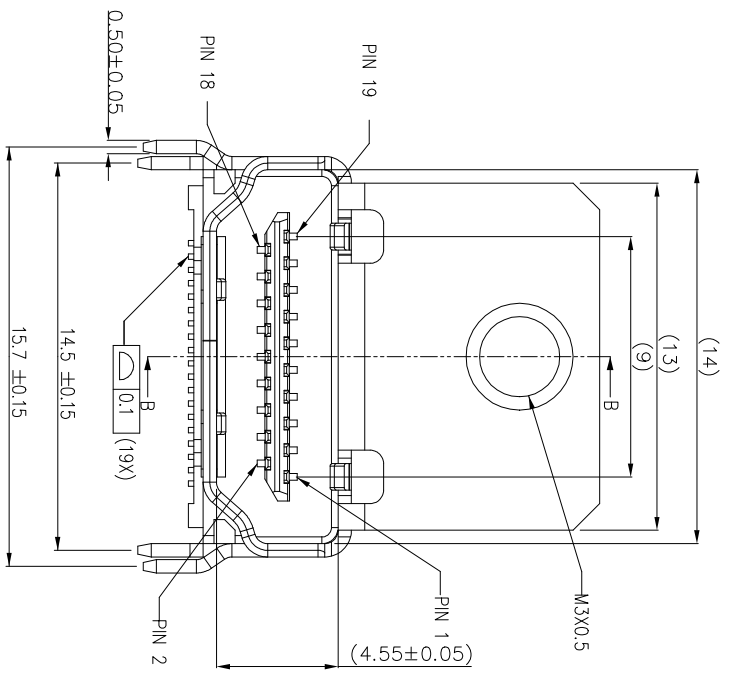
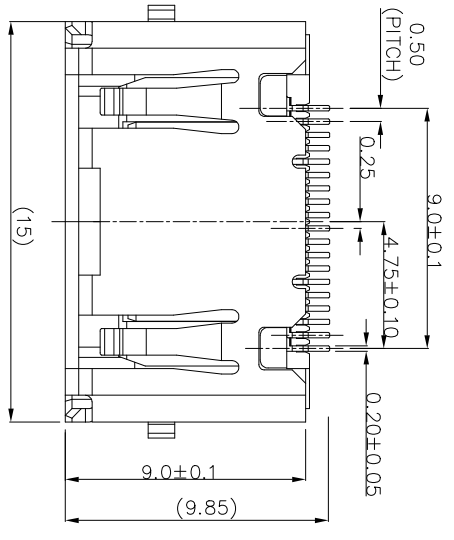
PRODUCT NUMBER  
10029449-X01XLF



SECTION  
A-A

mat'l. code	surface	tolerance	projection	product family
ISO 1302	ISO 406	ISO 1101	HDMI	
tolerances unless otherwise specified		1101		
W EIX-N-34628 Jason 2019-08-27	angles: .XX±.3	mm	HDMI TYPE A RECEPTACLE	
X EIX-N-38366 Jason 2020-09-16	infeed: .XX±.15	mm		
	0±x'	.XXX±.05	scale 4:1	
dr TONY LENG 2017-05-22				
engf Jason Wang 2020-09-16				
chr -				
qppd TIM YAO 2020-09-16				
sheet revision X				
index sheet 1				
dwg no	sheet 1 of 5	size		
10029449		A3		
type	Product Customer Drawing			

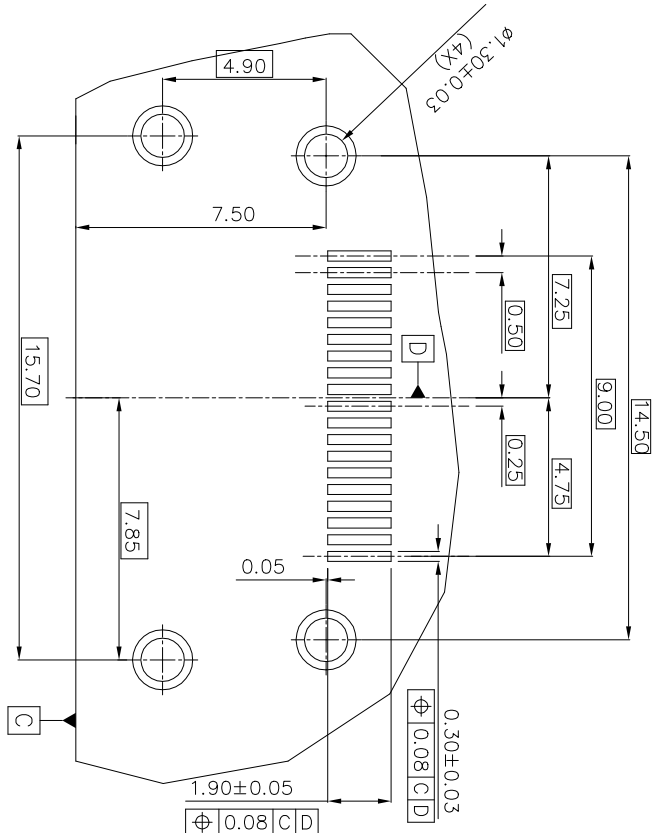
PRODUCT NUMBER  
10029449-002XLF



mat'l. code	ISO 1302	tolerance	ISO 406	ISO 1101	projection	product family
ltr ecn no/dr	ISO 1302	tolerance	ISO 406	ISO 1101	projection	HDMI
date	tolerances unless otherwise specified	tolerance	ISO 406	ISO 1101	projection	HDMI TYPE A RECEPTACLE
	angles: .XX±.15	tolerance	ISO 406	ISO 1101	projection	
	infeed: .XX±.15	tolerance	ISO 406	ISO 1101	projection	
	0±.x	tolerance	ISO 406	ISO 1101	projection	
dr	TONY LENG	tolerance	ISO 406	ISO 1101	projection	
engr	Jason Wang	tolerance	ISO 406	ISO 1101	projection	
chr	-	tolerance	ISO 406	ISO 1101	projection	
qppd	TIM YAO	tolerance	ISO 406	ISO 1101	projection	
sheet index	revision	date	date	date	date	date
1	X					
2						

PRODUCT NO.	CONTACT AREA PLATING	SHIELD FIGURE	PACKING
10029449-001TLF	30u" GXT MINIMUM	WITHOUT FLANGE	TRAY
10029449-001RLF	30u" GXT MINIMUM	WITHOUT FLANGE	TAPE AND REEL
10029449-101TLF	GOLD FLASH 3u" MIN	WITHOUT FLANGE	TRAY
10029449-101RLF	GOLD FLASH 3u" MIN	WITHOUT FLANGE	TAPE AND REEL
10029449-002TLF	30u" GXT MINIMUM	WITH FLANGE	TRAY
10029449-002RLF	30u" GXT MINIMUM	WITH FLANGE	TAPE AND REEL
10029449-002FLF	GOLD FLASH 3u" MIN	WITH FLANGE	TAPE AND REEL

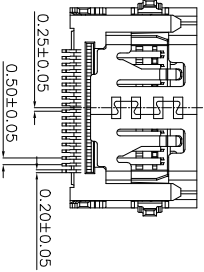
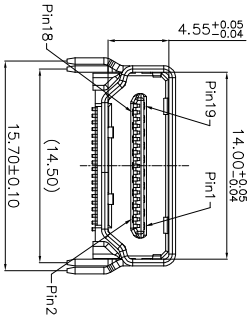
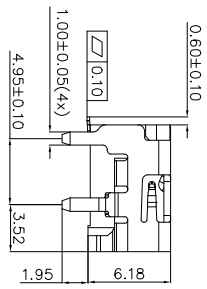
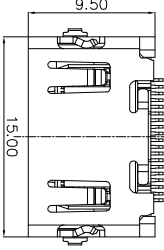
NOTE:  
1. MATERIAL:  
1-1 HOUSING: GLASS FIBER HIGH-TEMP. RESIN.(U194V-0)  
1-2 CONTACT: BRASS  
1-3 SHELL: STEEL  
2. FINISH  
2-1 CONTACT: NI UNDER PLATED ALL OVER 50u" MIN  
CONTACT AREA SEE TABLE  
2-2 SHELL: NI 100u" MIN  
3. PACKAGING:  
PACKAGING SPECIFICATION GS-14-939  
4. PRODUCT SPEC:  
PRODUCT SPECIFICATION GS-12-309  
5. REHS STANDARD SPECIFICATION ACCORDING TO FCI GS-22-008  
6. PARTS MEET REFLOW APPLICATION PEAK TEM. 260°C, 10 SECONDS MAX.



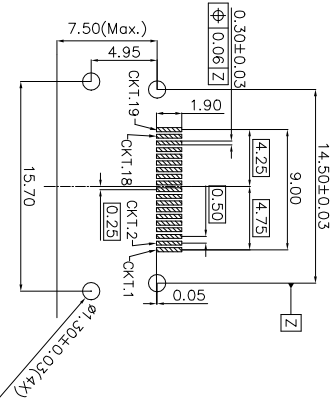
RECOMMENDED PCB PATTERN LAYOUT  
(t=1.6mm)

mat'l. code	surface	tolerance	projection	product family
	ISO 1302	ISO 406 ISO	110H	HDMI
	tolerances unless otherwise specified			title
	angles	.XX±.15	mm	HDMI TYPE A RECEPTACLE
	dr	.XXX±.05	mm	dwg no
	engr	TONY LENG	2017-05-22	sheet 3 of 5 size
	chr	JASON WANG	2020-09-22	10029449
	qppd	TIM YAO	2020-09-22	A3
sheet index	revision	X		type
3				Product Customer Drawing

PRODUCT NO.	CONTACT AREA PLATING	SHIELD FIGURE	DIM "A"	PACKING
10029449-111RFL	GOLD FLASH 3U" MIN	WITHOUT FLANGE	1.95±0.20	TAPE AND REEL
10029449-111FLF	GOLD FLASH 3U" MIN	WITHOUT FLANGE	1.95±0.20	TAPE AND REEL, OPPOSITE DIRECTION
10029449-113RFL	GOLD FLASH 3U" MIN	WITHOUT FLANGE	0.90±0.20	TAPE AND REEL



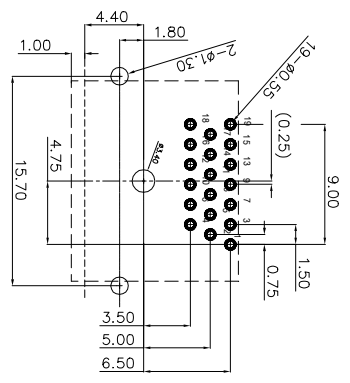
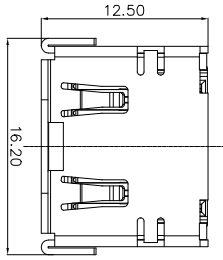
- NOTE:  
 1. MATERIAL:  
 HOUSING: HIGH TEMP. THERMOPLASTIC, UL 94V-0  
 COLOR: BLACK.  
 CONTACT: PHOSPHOR BRONZE  
 SHIELD: BRASS  
 2. FINISH:  
 SEE NOTES.  
 3. TERMINAL RETENTION FORCE TO BE 0.3kgf MIN.  
 4. TERMINAL CUT-OFF BURR TO BE 0.05MAX.



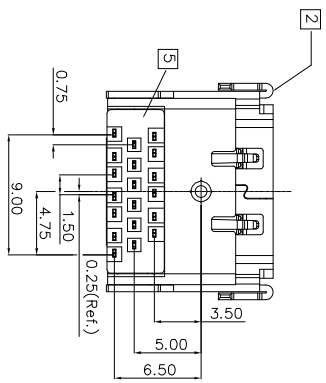
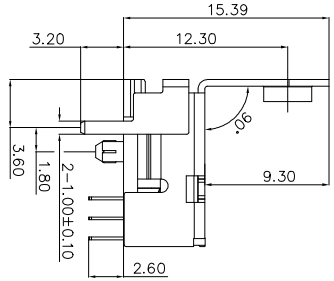
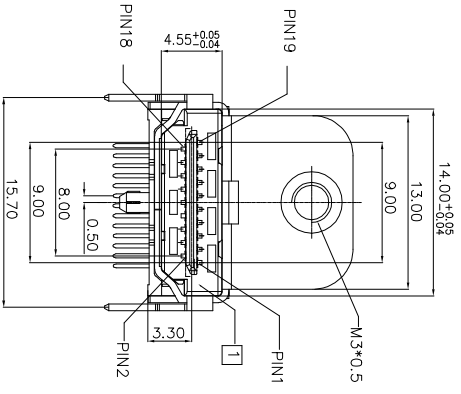
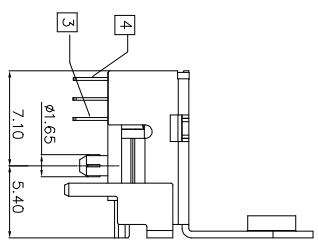
Recommended PCB Layout Connector Side  
 (General Tolerance: ±0.05)

mat'l. code	surfc	tolerance	projection	product family
ISO 1302	ISO 406	ISO 1101	HDMI	
tolerances unless otherwise specified	1101			
mm	mm			
scale 2:1				
title	HDMI TYPE A RECEPTACLE			
dwg no	10029449	sheet 4 of 5		
engr	chr	type	Product Customer Drawing	
TONY LENG	JASON WANG			
2017-05-22	2020-09-16			
0±x	.xxx±.10			
angles	.xxx±.20			
line	.xxx±.10			
date	2020/9/16			
ecn no	3856			
ltr	ELX-N-3856			

PRODUCT NO.	CONTACT AREA PLATING	SHIELD FIGURE	PACKING
10029449-1121LF	GOLD FLASH 3u" MIN	WITH FLANGE	TRAY
10029449-112R1F	GOLD FLASH 3u" MIN	WITH FLANGE	TAPE AND REEL



RECOMMENDED PCB LAYOUT(=1.60±0.15)  
COMPONENT SIDE



NOTE:  
1.MECHANICAL CHARACTERISTICS  
INSERTION FORCE: 44.1N MAX  
WITHDRAWAL FORCE: 9.8N MIN, 39.2N MAX  
MATING CYCLE:10000 CYCLES  
CONTACT PULL OUT FORCE: 1.96N/PIN MIN

2.ELECTRICAL CHARACTERISTICS  
RATING CURRENT: 0.5A  
RATING VOLTAGE: 40V  
CONTACT RESISTANCE: 10 MILLOHMS OHMS MAX  
(EXCLUDING CONDUCTOR RESISTANCE)  
INSULATION RESISTANCE:  
a. UNMATED: 100M OHMS MIN AT 500 VDC  
b. MATED: 10M OHMS MIN AT 150 VDC

DIELECTRIC WITHSTANDING VOLTAGE: 300V AC/1MINUTE  
OPERATING TEMPERATURE: -20C--+85C  
STORAGE TEMPERATURE: -20C---+65C

mat'l. code	surface	tolerance	projection	product family
ISO 1302	ISO 406	ISO 1101	HDMI	HDMI
tolerances unless otherwise specified	tolerances unless otherwise specified	tolerances unless otherwise specified	tolerances unless otherwise specified	
angles: linear	angles: linear	angles: linear	angles: linear	
0±x'	.XXX±.05	.XX±.15	.XX±.15	
dr	TONY LENG	2017-05-22	scale 2:1	
engr	Jason Wang	2020-09-16		
chr				
pppd	TIM YAO	2020-09-16		
sheet index	revision	X	dwg no	10029449
sheet	sheet	5	sheet 5 of 5	size A3
			Product Customer Drawing	