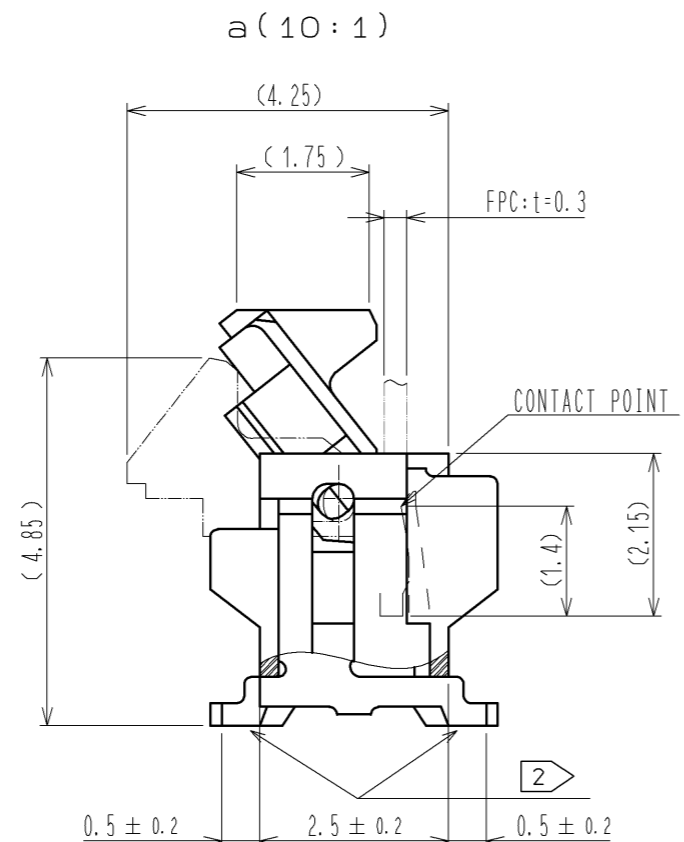
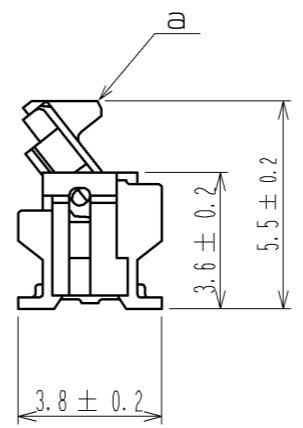
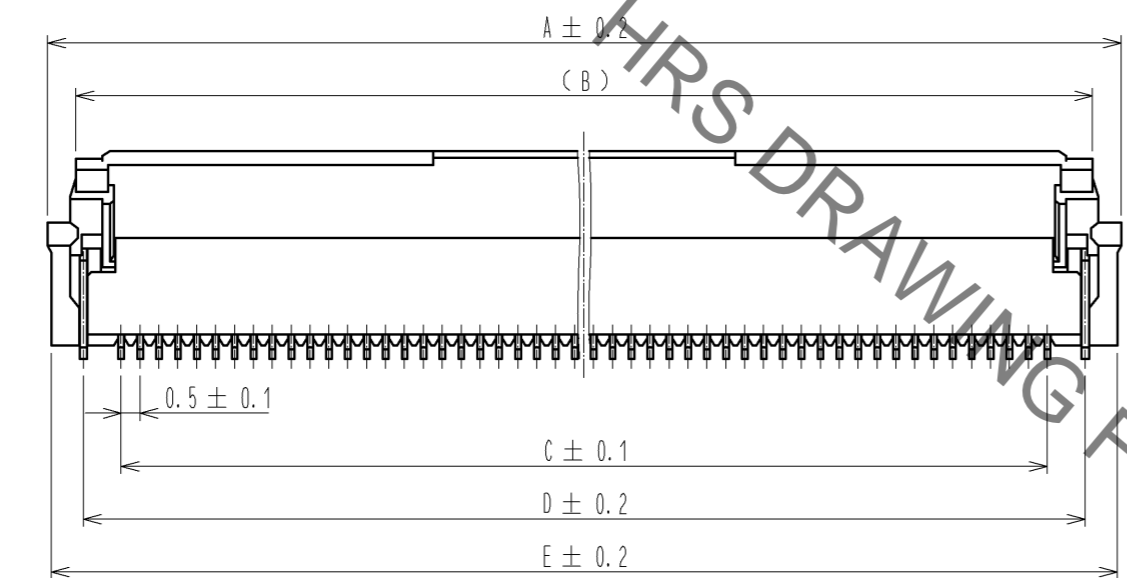
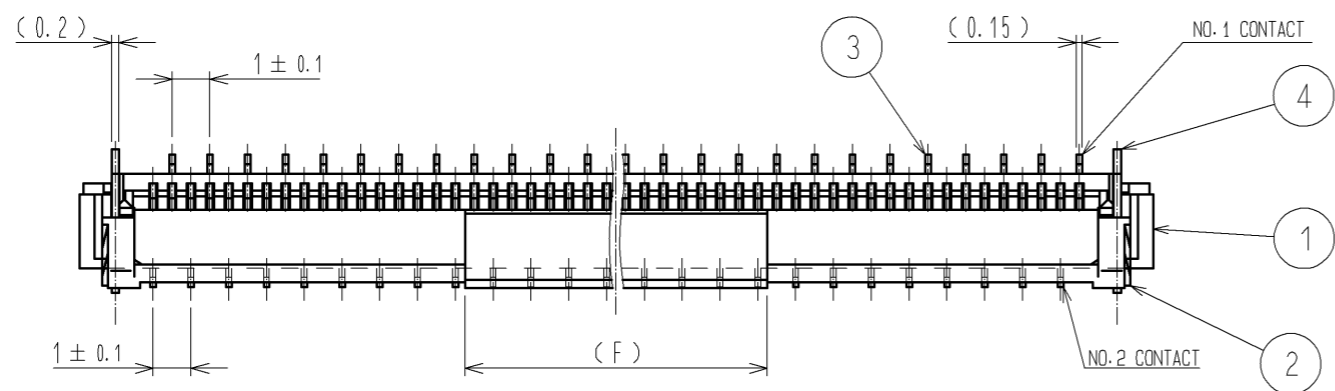


Jul.1.2020 Copyright 2020 HIROSE ELECTRIC CO., LTD. All Rights Reserved.
 In case of consideration for using Automotive equipment / device which demand high reliability, kindly contact our sales window correspondents.



- NOTE
- 1 THE DIMENSIONS IN PARENTHESES ARE FOR REFERENCE.
 - 2 LEAD CO-PLANARITY SHALL BE 0.1 MAX.
 - 3 SEE DIMENSION TABLE IN THE APPENDIX.
 - 4 MATERIAL

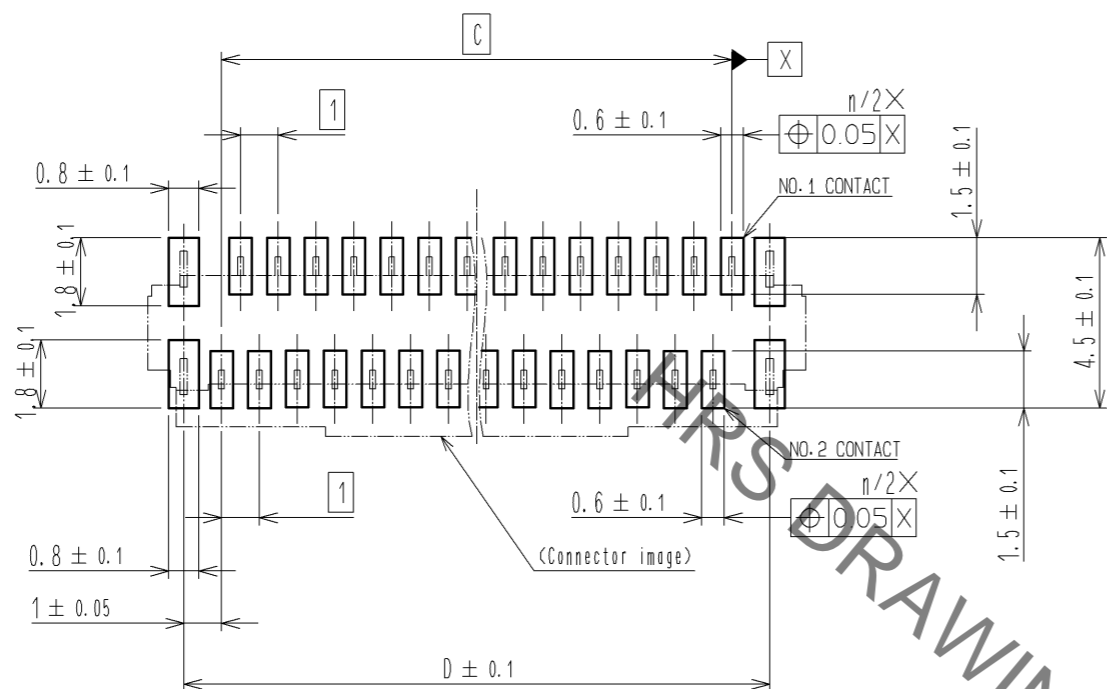
NUMBER OF CONTACTS	MATERIAL
60	LCP
OTHER	POLYAMIDE
 - 5 DIFFERENCES OF THE GOLD PLATED AREA DO NOT INFLUENCE ON THE PRODUCT PERFORMANCE.
 - 6 'n' REPRESENTS THE NUMBER OF CONTACTS.

4	BRASS	TIN PLATING 1μm MIN-OVER NICKEL 1μm MIN.			
3	PHOSPHOR BRONZE	(CONTACT AREA, LEAD) GOLD PLATING 0.05μmMIN OVER NICKEL 1μmMIN (OTHER) NICKEL PLATING 1μmMIN	8	(CONNECTOR)	
2	PPS	(DEEP BROWN) UL94V-0	6	POLYESTER	
1	4	(BEIGE) UL94V-0	5	POLYSTYRENE	
NO.	MATERIAL	FINISH . REMARKS	NO.	MATERIAL	FINISH . REMARKS
UNITS mm		SCALE 5 : 1	COUNT △	DESCRIPTION OF REVISIONS	DESIGNED
HRS HIROSE ELECTRIC CO., LTD.		APPROVED : HS. SAKAMOTO	14.02.15	DRAWING NO.	EDC3-159266-03
		CHECKED : HS. SAKAMOTO	14.02.15	PART NO.	FH12-**S-0.5SVA(54)
		DESIGNED : RT. IKEDA	14.02.13	CODE NO.	CL586
		DRAWN : NM. SANPEI	14.02.12		

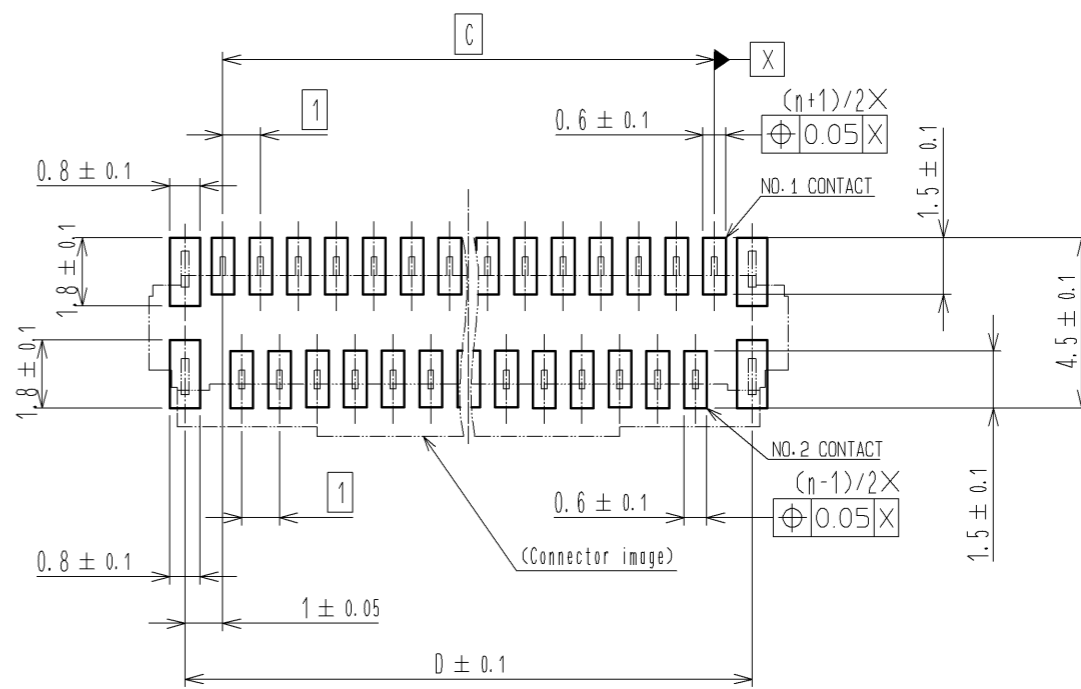
Jul.1.2020 Copyright 2020 HIROSE ELECTRIC CO., LTD. All Rights Reserved.
In case of consideration for using Automotive equipment / device which demand high reliability, kindly contact our sales window correspondents.

RECOMMENDED PCB MOUNTING PATTERN

NUMBER OF CONTACTS: EVEN NUMBER

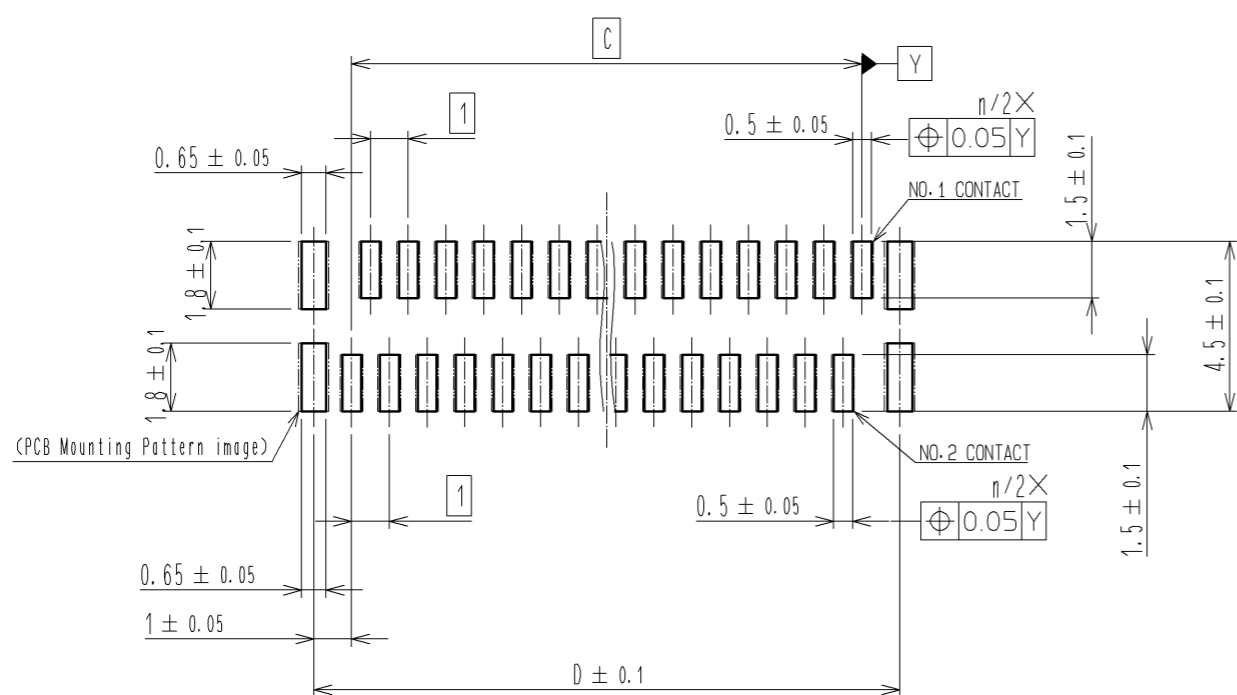


NUMBER OF CONTACTS: ODD NUMBER

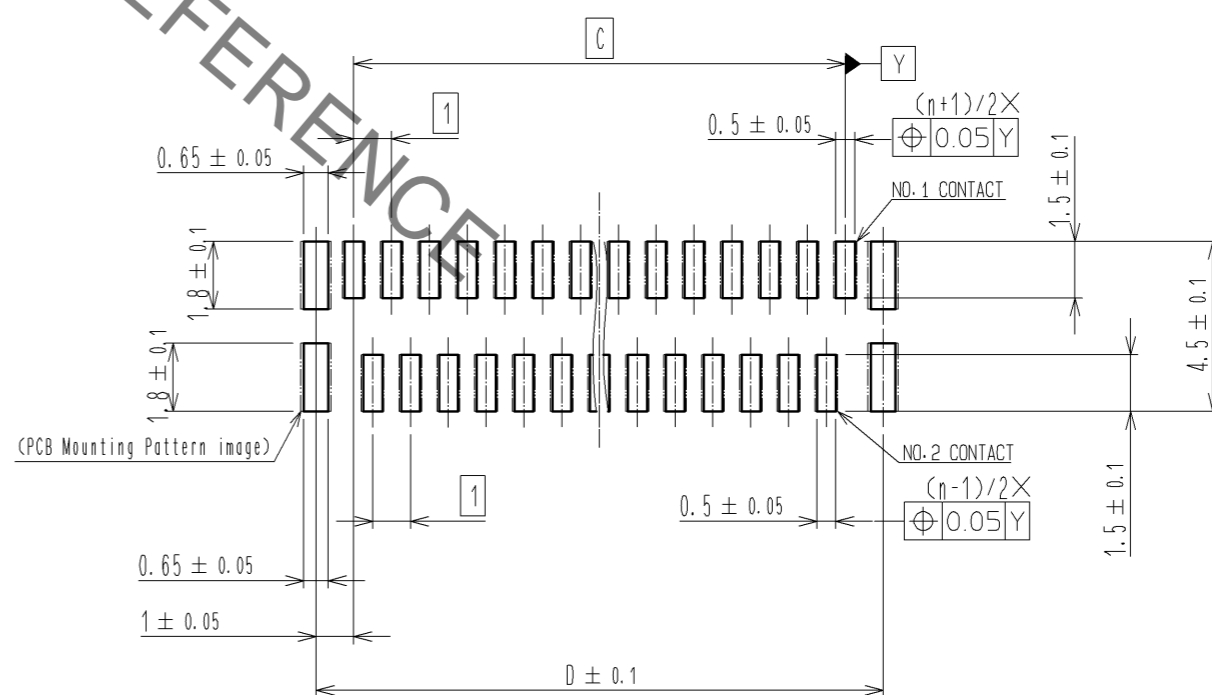


RECOMMENDED STENCIL PATTERN (RECOMMENDED STENCIL THICKNESS: t=0.15)

NUMBER OF CONTACTS: EVEN NUMBER



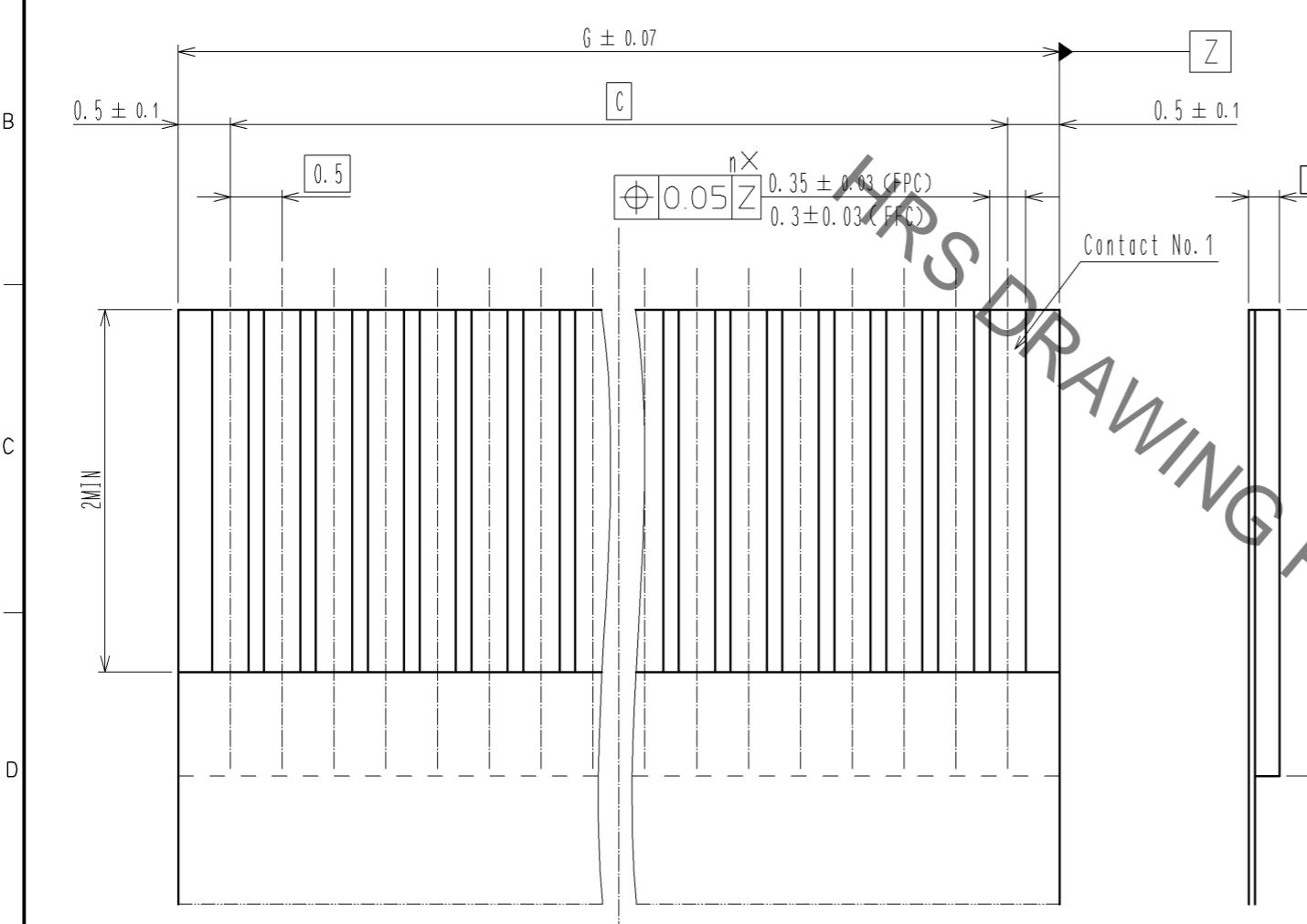
NUMBER OF CONTACTS: ODD NUMBER



HRS	DRAWING NO.	EDC3-159266-03
	PART NO.	FH12-**S-0.5SVA(54)
	CODE NO.	CL586
		2/5

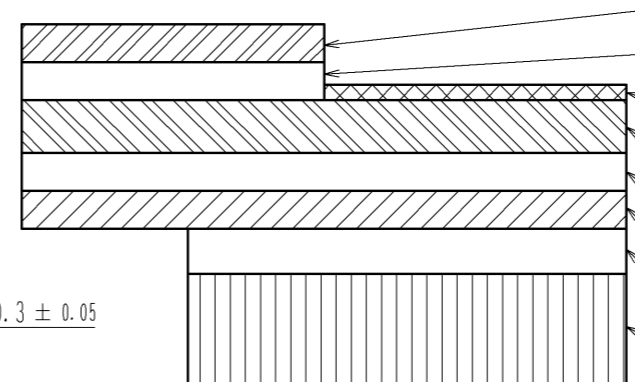
Jul.1.2020 Copyright 2020 HIROSE ELECTRIC CO., LTD. All Rights Reserved.
In case of consideration for using Automotive equipment / device which demand high reliability, kindly contact our sales window correspondents.

RECOMMENDED FPC/FFC (15:1)



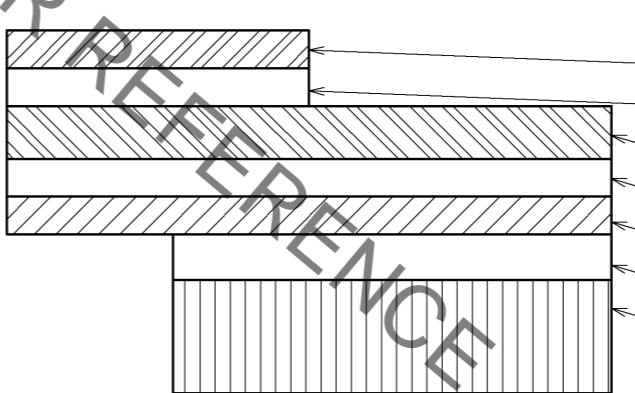
$\triangleright 7$ THICKNESS OF SUPPORTING TAPE SHALL BE 0.188(7.5MIL) MIN.

FPC CONFIGURATION (REFERENCE EXAMPLE) (SCALE:FREE)



MATERIAL NAME	MATERIAL	THICKNESS(μm)
COVERING FILM LAYER	POLYIMIDE 1mil thick.	(25)
COVER ADHESIVE		(25)
SURFACE TREATMENT	NICKEL UNDERCOAT 1 to 5μm + GOLD PLATING 0.2μm	3
COPPER FOIL	CU 1 oz	35
BASE ADHESIVE	HEAT-HARDENED ADHESIVE	25
BASE FILM	POLYIMIDE 1mil thick	25
REINFORCEMENT MATERIAL ADHESIVE	HEAT-HARDENED ADHESIVE	30
STIFFENER FILM	POLYIMIDE 7mil thick	175

FFC CONFIGURATION (REFERENCE EXAMPLE) (SCALE:FREE)



MATERIAL NAME	MATERIAL	THICKNESS(μm)
POLYESTER FILM		(12)
ADHESIVE	THERMOPLASTIC POLYESTER	(30)
GOLD PLATED SOFT COPPER FILM		35
ADHESIVE	POLYESTER	30
POLYESTER		12
ADHESIVE	POLYESTER	30
STIFFENER FILM	POLYESTER	188

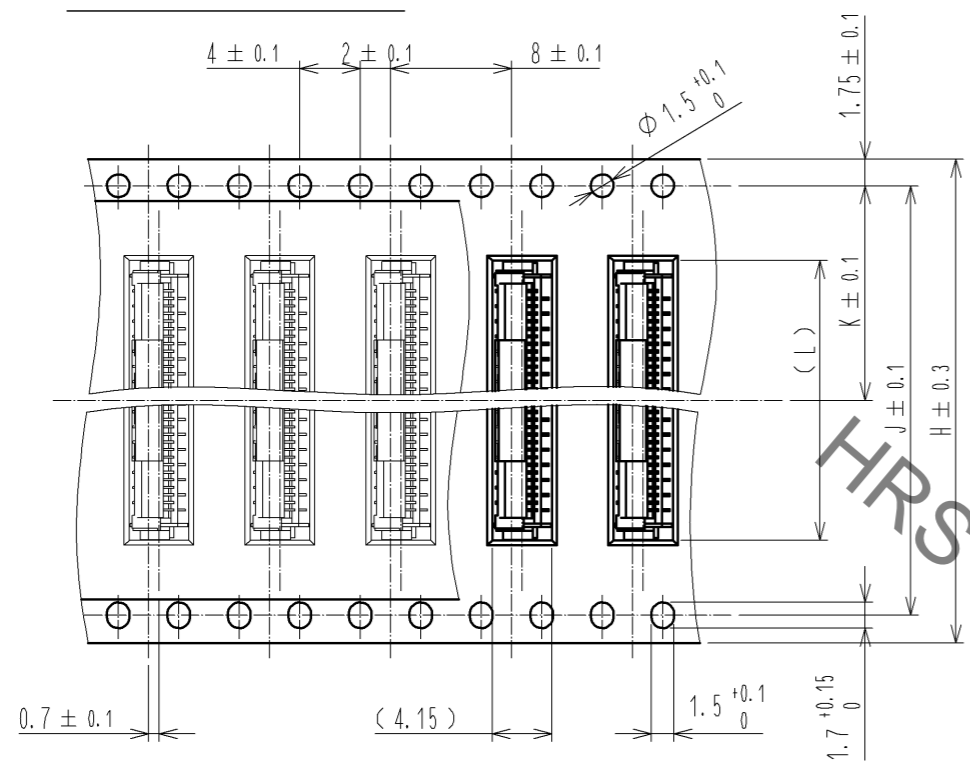
HRS	DRAWING NO.	EDC3-159266-03
	PART NO.	FH12-**S-0.5SVA(54)
	CODE NO.	CL586

3/5

Jul.1.2020 Copyright 2020 HIROSE ELECTRIC CO., LTD. All Rights Reserved.
 In case of consideration for using Automotive equipment / device which demand high reliability, kindly contact our sales window correspondents.

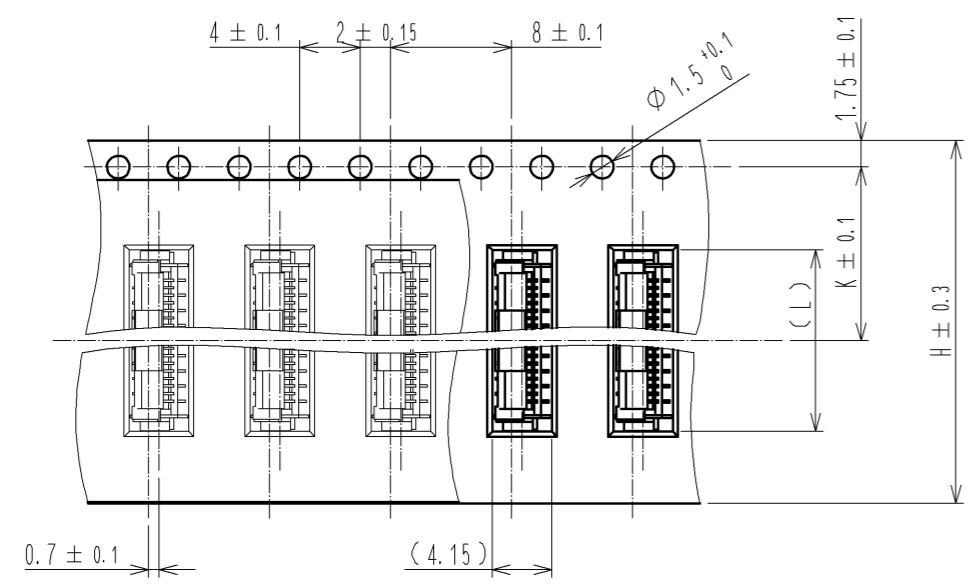
EMBOSSED CARRIER TAPE DIMENSION (2:1)

TAPE WIDTH : 32mm MIN

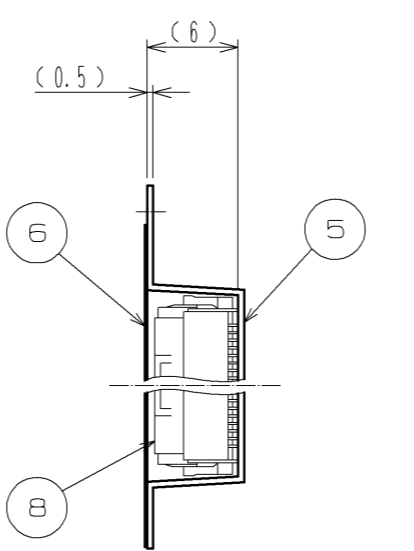
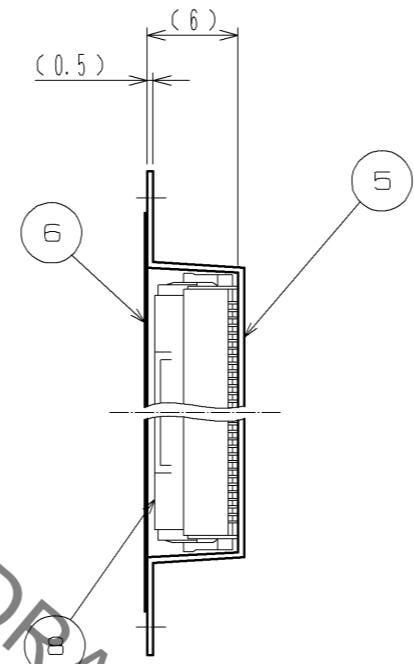


DIRECTION OF UNREELING

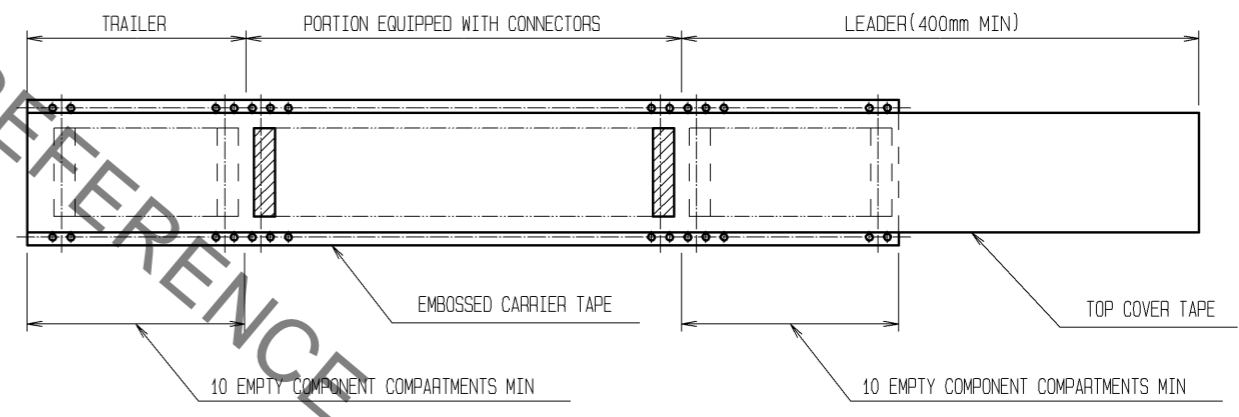
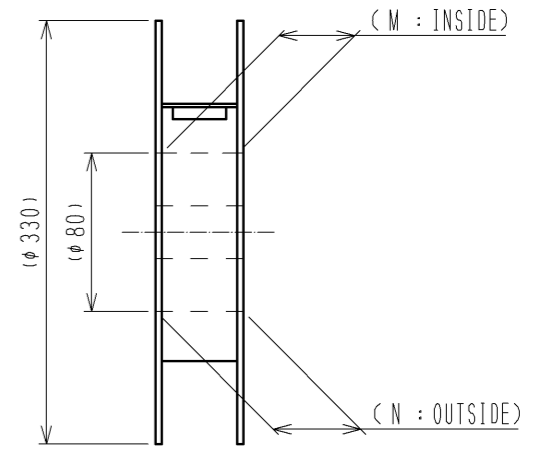
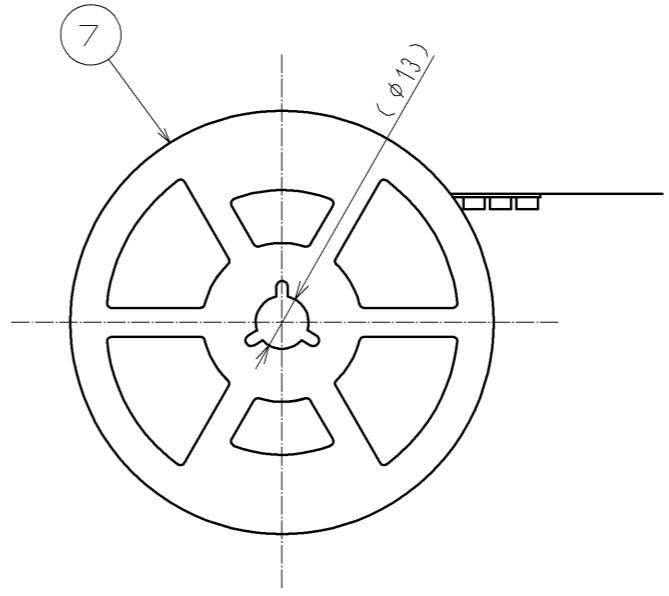
TAPE WIDTH : 24mm MAX



DIRECTION OF UNREELING



REEL DIMENSION(SHOW AS BELOW)(FREE)



NOTE 8 1REEL : 1000 CONNECTORS.

DRAWING FOR PACKING

HRS	DRAWING NO.	EDC3-159266-03
	PART NO.	FH12-**S-0.5SVA(54)
	CODE NO.	CL586
		△ 4/5

Jul.1.2020 Copyright 2020 HIROSE ELECTRIC CO., LTD. All Rights Reserved.
 In case of consideration for using Automotive equipment / device which demand high reliability, kindly contact our sales window correspondents.

PART NO.	CODE NO.	NUMBER OF CONTACTS	DIMENSION TABLE OF CONNECTOR, FPC, FFC, PCB MOUNTING PATTERN AND STENCIL PATTERN							DIMENSION TABLE OF DRAWING FOR PACKING					
			A	B	C	D	E	F	G	H	J	K	L	M	N
FH12- 6S-0.5SVA(54)	CL586-0756-4-54	6	6.4	4.9	2.5	4.5	6.2	2	3.5	16	—	7.5	6.5	17.4	21.4
FH12-10S-0.5SVA(54)	CL586-0806-0-54	10	8.4	6.9	4.5	6.5	8.2	4	5.5	16	—	7.5	8.5	17.4	21.4
FH12-12S-0.5SVA(54)	CL586-0757-7-54	12	9.4	7.9	5.5	7.5	9.2	4	6.5	16	—	7.5	9.5	17.4	21.4
FH12-13S-0.5SVA(54)	CL586-0807-3-54	13	9.9	8.4	6	8	9.7	4	7	24	—	11.5	10	25.4	29.4
FH12-15S-0.5SVA(54)	CL586-0808-6-54	15	10.9	9.4	7	9	10.7	4	8	24	—	11.5	11	25.4	29.4
FH12-16S-0.5SVA(54)	CL586-0809-9-54	16	11.4	9.9	7.5	9.5	11.2	4	8.5	24	—	11.5	11.5	25.4	29.4
FH12-17S-0.5SVA(54)	CL586-0810-8-54	17	11.9	10.4	8	10	11.7	4	9	24	—	11.5	12	25.4	29.4
FH12-18S-0.5SVA(54)	CL586-0811-0-54	18	12.4	10.9	8.5	10.5	12.2	4	9.5	24	—	11.5	12.5	25.4	29.4
FH12-20S-0.5SVA(54)	CL586-0812-3-54	20	13.4	11.9	9.5	11.5	13.2	4	10.5	24	—	11.5	13.5	25.4	29.4
FH12-22S-0.5SVA(54)	CL586-0813-6-54	22	14.4	12.9	10.5	12.5	14.2	8	11.5	24	—	11.5	14.5	25.4	29.4
FH12-24S-0.5SVA(54)	CL586-0814-9-54	24	15.4	13.9	11.5	13.5	15.2	8	12.5	24	—	11.5	15.5	25.4	29.4
FH12-26S-0.5SVA(54)	CL586-0815-1-54	26	16.4	14.9	12.5	14.5	16.2	8	13.5	24	—	11.5	16.5	25.4	29.4
FH12-30S-0.5SVA(54)	CL586-0750-8-54	30	18.4	16.9	14.5	16.5	18.2	8	15.5	32	28.4	14.2	18.5	33.4	37.4
FH12-32S-0.5SVA(54)	CL586-0816-4-54	32	19.4	17.9	15.5	17.5	19.2	8	16.5	32	28.4	14.2	19.5	33.4	37.4
FH12-33S-0.5SVA(54)	CL586-0818-0-54	33	19.9	18.4	16	18	19.7	8	17	32	28.4	14.2	20	33.4	37.4
FH12-34S-0.5SVA(54)	CL586-0817-7-54	34	20.4	18.9	16.5	18.5	20.2	8	17.5	44	40.4	20.2	20.5	45.4	49.4
FH12-36S-0.5SVA(54)	CL586-0819-2-54	36	21.4	19.9	17.5	19.5	21.2	8	18.5	44	40.4	20.2	21.5	45.4	49.4
FH12-40S-0.5SVA(54)	CL586-0804-5-54	40	23.4	21.9	19.5	21.5	23.2	8	20.5	44	40.4	20.2	23.5	45.4	49.4
FH12-45S-0.5SVA(54)	CL586-0820-1-54	45	25.9	24.4	22	24	25.7	8	23	44	40.4	20.2	26	45.4	49.4
FH12-49S-0.5SVA(54)	CL586-0821-4-54	49	27.9	26.4	24	26	27.7	8	25	44	40.4	20.2	28	45.4	49.4
FH12-50S-0.5SVA(54)	CL586-0805-8-54	50	28.4	26.9	24.5	26.5	28.2	8	25.5	44	40.4	20.2	28.5	45.4	49.4
FH12-60S-0.5SVA(54)	CL586-0749-9-54	60	33.4	31.9	29.5	31.5	33.2	8	30.5	56	52.4	26.2	33.5	57.4	61.4

HRS	DRAWING NO.	EDC3-159266-03
	PART NO.	FH12-**S-0.5SVA(54)
	CODE NO.	CL586
		△ 5/5

Mouser Electronics

Authorized Distributor

Click to View Pricing, Inventory, Delivery & Lifecycle Information:

[Hirose Electric:](#)

[FH12-10S-0.5SVA\(54\)](#)