

4

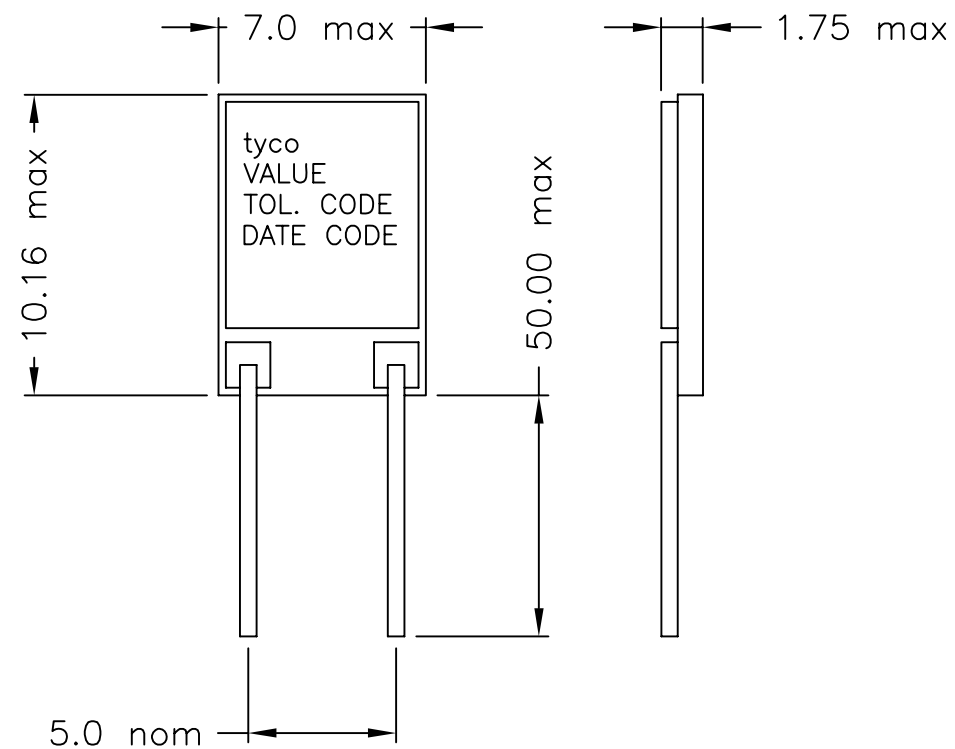
3

2

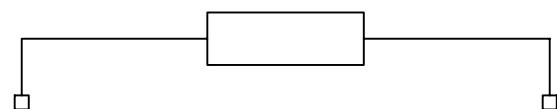
1

THIS DRAWING IS UNPUBLISHED. RELEASED FOR PUBLICATION NOV ,2005. ALL RIGHTS RESERVED. © COPYRIGHT 2005 BY TYCO ELECTRONICS CORPORATION.

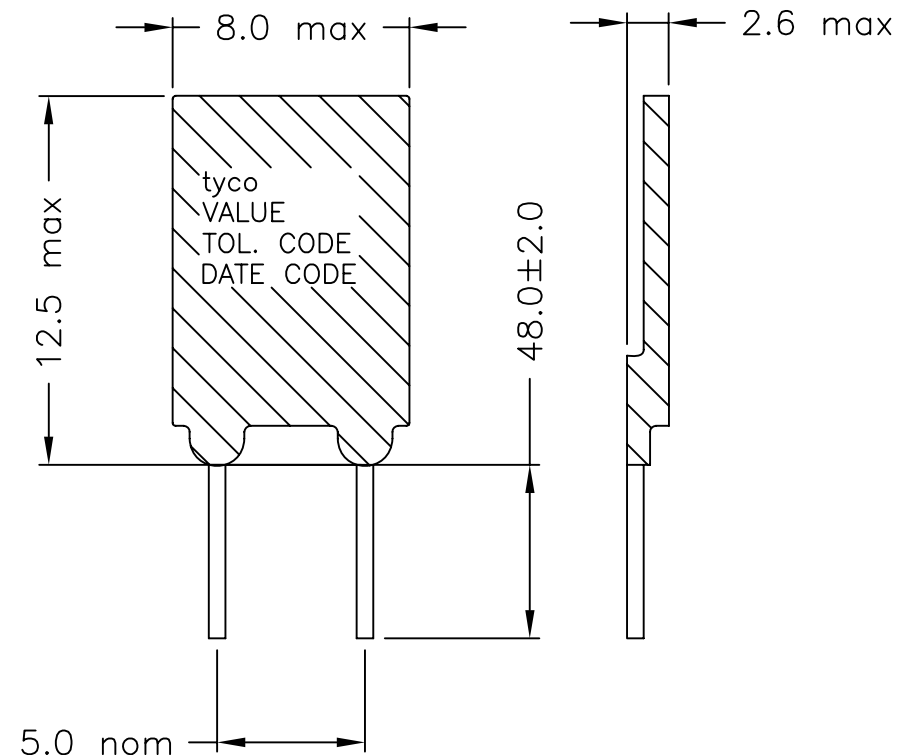
LOC		DIST		REVISIONS			
E	B	P	LTR	DESCRIPTION	DATE	DWN	APVD
		C		ECR-06-002357	30JAN06	DK	JC



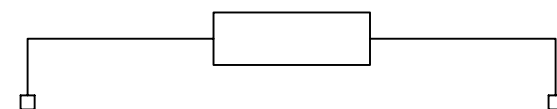
DESCRIPTION: THICK FILM RESISTOR
 LEAD MATERIAL: 0.56 DIA T.C.W.
 HYBRID PROTECTION: SCREEN PRINTED SILICONE COATING
 MARKING: AS SHOWN (TO NON RESISTOR FACE)



RATED DISSIPATION - AT 20°C 0.8W*
 - AT 70°C 0.4W
 OHMIC RANGE 1K - 100K
 MAX WORKING VOLTAGE 240V DC
 TCR 20 - 70°C ±300ppm/°C
 VCR 100 - 1000V DC ΔR<3%
 STABILITY - 100h AT 20°C 0.8W ΔR<2%



DESCRIPTION: THICK FILM HV. RESISTOR
 LEAD MATERIAL: 0.56 DIA T.C.W.
 HYBRID PROTECTION: CONFORMAL EPOXY COATING
 MARKING: AS SHOWN (TO NON RESISTOR FACE)



RATED DISSIPATION - AT 20°C 0.8W*
 - AT 70°C 0.4W
 OHMIC RANGE 1K - 120M*
 MAX WORKING VOLTAGE 1000V DC
 TCR 20 - 70°C ±300ppm/°C
 VCR 100 - 1000V DC ΔR<3%
 STABILITY - 100h AT 20°C 0.8W ΔR<2%

* NOTE: CRITICAL VALUE IS 1.25M. MAX VOLTS AT 1K IS 280V DC

RoHS Compliant

FOR A SPECIFIC PN FOR A RESISTANCE VALUE AND TOLERANCE, PLEASE REFER TO DMF.

THIS DRAWING IS A CONTROLLED DOCUMENT.		DWN	DAVE KENNEDY	01NOV2005	tyco Electronics		Tyco Electronics Corporation Dorcan, Swindon, SN3 5HH			
DIMENSIONS: MM		CHK	J CATCHPOLE	02NOC05	NAME HBA SERIES RESISTOR					
TOLERANCES UNLESS OTHERWISE SPECIFIED:		APVD	J CATCHPOLE	02NOV05	PRODUCT SPEC					
0 PLC ± -		APPLICATION SPEC		SIZE				CAGE CODE	DRAWING NO	RESTRICTED TO
1 PLC ± -		-		A3		00779	C=1625960		-	
2 PLC ± -		-		CUSTOMER DRAWING		SCALE		SHEET	OF	REV
3 PLC ± -		-		-		NTS		1	1	C
4 PLC ± -		-		-		-		-		-
ANGLES ± -		-		-		-		-		-
MATERIAL		FINISH		WEIGHT		-		-		-

Mouser Electronics

Authorized Distributor

Click to View Pricing, Inventory, Delivery & Lifecycle Information:

[TE Connectivity:](#)

[HBA10MFZRE](#)