

REV.	DESCRIPTION	DRAWN	CHECKED	APPROVED
A	NEW RELEASE	LJH 03/30/06'	~	LJC 09/20/05'
B	整理图面	YCH 07/27/07'	~	

NOTES:

- MATERIAL
 - INSULATOR:THERMOPLASTIC(UL 94V-0).
 - CONTACT: COPPER ALLOY.
 - CONTACT PLATED: SEE ORDERING INFORMATION.
- SPECIFICATION
 - TEMPERATURE: -20~+105°C.
 - CONTACT RESISTANCE: 20mΩ max.
 - INSULATION RESISTANCE: 1000MΩ min.
 - DIELECTRIC WITHSTANDING VOLTAGE: AC 500V PER MINUTE.

- PART NUMBER: DS1010
- PRODUCT NUMBER CODE:

DS1010 - X X X X
 Central support
 S: W/ central support
 X: W/O central support
 Width dim.D
 N: 10.16mm
 W: 15.24mm
 D: 19.05mm
 Contact plating
 T1: Tin
 No.OF CONTACTS
 24 28 30 32 40
 42 48 52 56 64
 Series No.
 DS1010

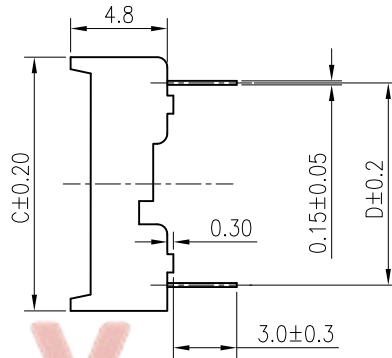
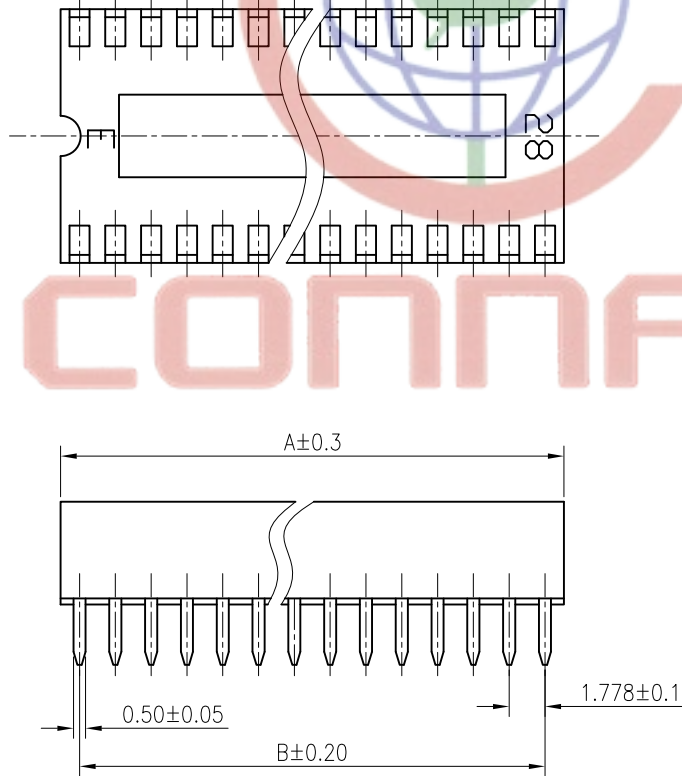



Table A:

Position	Dimension			
	A	B	C	D
24	21.34	19.56	12.65	10.16
28	24.89	23.11	12.65	10.16
30	26.67	24.89	12.65	10.16
32	27.45	26.67	12.65	10.16
40	35.56	33.78	17.73	15.24
42	37.34	35.56	17.73	15.24
48	42.67	40.89	17.73	15.24
52	46.23	44.45	17.73	15.24
56	49.78	48.01	17.73	15.24
64	56.90	55.12	21.54	19.05



GENERAL TOLERANCE		ANGLE TOLERANCE		PROJECTION	TITLE
X.	±0.60	X.	±5°	⊕	IC SOCKET PITCH 1.778mm(0.070)
.X	±0.38	.X	±3°	mm	
.XX	±0.25	.XX	±2°		SHEET SIZE A4
DRAWING TYPE		CUSTOMER		SERIES DS1010 SERIES	
SCALE		1:1	SHEET 1 OF 1		
DRAWING NO.		C-DS1010-XXXX			


晨翔电子有限公司
CONNFLY CONNFLY ELECTRONIC CO. LTD