

## SN65HVD1040A-Q1 EMC-Optimized High-Speed CAN Transceiver

### 1 Features

- Qualified for Automotive Applications
- AEC-Q100 Test Guidance With the Following:
  - Device Temperature Grade 0: –40°C to +150°C Ambient Operating Temperature
  - Device HBM ESD Classification Level:
    - 3A Level for All Pins Except 5, 6, and 7
    - 3B Level for Pins 5, 6 and 7
  - Device CDM ESD Classification Level C6
  - Device MM ESD Classification Level M3
- Improved Drop-In Replacement for TJA1040
- Meets or Exceeds the Requirements of ISO 11898-5
- GIFT/ICT Compliant
- ESD Protection up to ±12 kV (Human-Body Model) on Bus Pins
- Low-Current Standby Mode With Bus Wake-Up, <12 μA Maximum
- High Electromagnetic Compliance (EMC)
- Bus-Fault Protection of –27 V to 40 V
- Dominant Time-Out Function
- Thermal Shutdown Protection
- SPLIT Voltage Source for Common-Mode Stabilization of Bus Through Split Termination
- Digital Inputs Compatible With 3.3-V and 5-V Microprocessors.
- Power-Up and Power-Down Glitch-Free Bus Inputs and Outputs

- High Input Impedance With Low  $V_{CC}$
- Monotonic Outputs During Power Cycling

### 2 Applications

- GMW3122 Dual-Wire CAN Physical Layers
- SAE J2284 High-Speed CAN for Automotive Applications
- SAE J1939 Standard Data Bus Interface
- ISO 11783 Standard Data Bus Interface
- NMEA 2000 Standard Data Bus Interface

### 3 Description

The SN65HVD1040A device meets or exceeds the specifications of the ISO 11898 standard for use in applications employing a Controller Area Network (CAN). The device is qualified for use in automotive applications.

As a CAN transceiver, this device provides differential transmit capability to the bus and differential receive capability to a CAN controller at signaling rates up to 1 megabit per second (Mbps) <sup>(1)</sup>

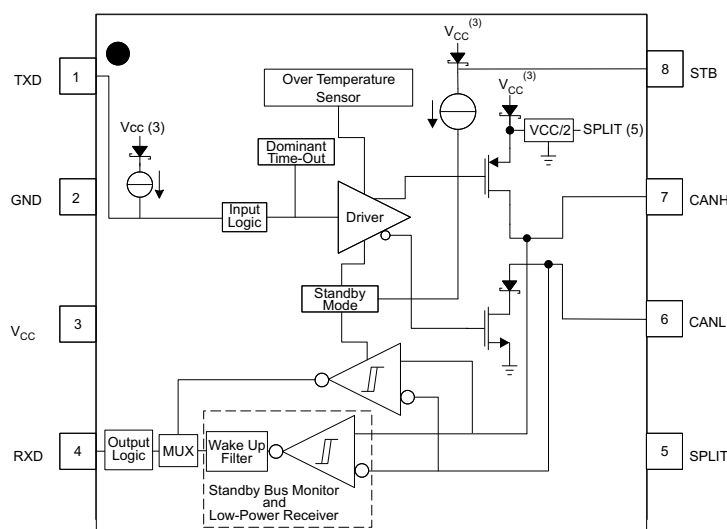
#### Device Information (a)

PART NUMBER	PACKAGE	BODY SIZE (NOM)
SN65HVD1040A-Q1	SOIC (8)	4.90 mm × 3.91 mm

(a) For all available packages, see the orderable addendum at the end of the data sheet.

(1) The signaling rate of a line is the number of voltage transitions that are made per second, expressed in the units bps (bits per second).

#### Functional Block Diagram



Copyright © 2016, Texas Instruments Incorporated



## Table of Contents

<b>1 Features</b> ..... 1 <b>2 Applications</b> ..... 1 <b>3 Description</b> ..... 1 <b>4 Revision History</b> ..... 2 <b>5 Description (continued)</b> ..... 3 <b>6 Pin Configuration and Functions</b> ..... 4 <b>7 Specifications</b> ..... 5 7.1 Absolute Maximum Ratings ..... 5 7.2 ESD Ratings ..... 5 7.3 Recommended Operating Conditions ..... 5 7.4 Thermal Information ..... 6 7.5 Electrical Characteristics ..... 6 7.6 Power Dissipation Characteristics ..... 7 7.7 Switching Characteristics ..... 8 7.8 Typical Characteristics ..... 9 <b>8 Parameter Measurement Information</b> ..... 10 <b>9 Detailed Description</b> ..... 14 9.1 Overview ..... 14	9.2 Functional Block Diagram ..... 14 9.3 Feature Description ..... 14 9.4 Device Functional Modes ..... 17 <b>10 Application and Implementation</b> ..... 19 10.1 Application Information ..... 19 10.2 Typical Application ..... 20 <b>11 Power Supply Recommendations</b> ..... 23 <b>12 Layout</b> ..... 23 12.1 Layout Guidelines ..... 23 12.2 Layout Example ..... 24 12.3 ESD Protection ..... 24 <b>13 Device and Documentation Support</b> ..... 25 13.1 Receiving Notification of Documentation Updates ..... 25 13.2 Community Resource ..... 25 13.3 Trademarks ..... 25 13.4 Electrostatic Discharge Caution ..... 25 13.5 Glossary ..... 25 <b>14 Mechanical, Packaging, and Orderable Information</b> ..... 25
---	---

## 4 Revision History

NOTE: Page numbers for previous revisions may differ from page numbers in the current version.

Changes from Revision B (September 2011) to Revision C	Page
<ul style="list-style-type: none"> <li>• Added <i>ESD Ratings</i> table, <i>Feature Description</i> section, <i>Device Functional Modes</i>, <i>Application and Implementation</i> section, <i>Power Supply Recommendations</i> section, <i>Layout</i> section, <i>Device and Documentation Support</i> section, and <i>Mechanical, Packaging, and Orderable Information</i> section ..... 1</li> <li>• Changed values in the <i>Thermal Information</i> table to align with JEDEC standards ..... 6</li> </ul>	
Changes from Revision A (January 2011) to Revision B	Page
<ul style="list-style-type: none"> <li>• Changed the <i>Driver Function Table</i> foot note to include: Y = weak pull down to GND ..... 17</li> </ul>	
Changes from Original (June 2008) to Revision A	Page
<ul style="list-style-type: none"> <li>• Changed <math>V_{CC}</math> Supply voltage range From: -0.3 V to 7 V To: -0.3 V to 6 V ..... 5</li> <li>• Changed <math>V_I</math> Voltage input range (TXD, STB) From: -0.5 V to 6 V To: -0.3 V to 6 V ..... 5</li> </ul>	

## 5 Description (continued)

Designed for operation in especially harsh environments, the SN65HVD1040A-Q1 features cross-wire, overvoltage, and loss of ground protection from –27 V to 40 V, overtemperature protection, a –12-V to 12-V common-mode range, and can withstand voltage transients according to ISO 7637.

STB (pin 8) provides two different modes of operation: high-speed mode or low-current standby mode. The high-speed mode of operation is selected by connecting STB (pin 8) to ground.

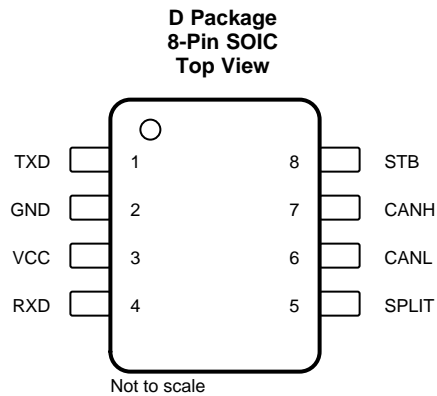
If a high logic level is applied to the STB pin of the SN65HVD1040A-Q1, the device enters a low-current standby mode, while the receiver remains active in a low-power bus-monitor standby mode.

In the low-current standby mode, a dominant bit greater than 5  $\mu$ s on the bus is passed by the bus-monitor circuit to the receiver output. The local protocol controller may then reactivate the device when it needs to transmit to the bus.

A dominant time-out circuit in the SN65HVD1040A-Q1 prevents the driver from blocking network communication with a hardware or software failure. The time-out circuit is triggered by a falling edge on TXD (pin 1). If no rising edge is seen before the time-out constant of the circuit expires, the driver is disabled. The circuit is then reset by the next rising edge on TXD.

SPLIT (pin 5) is available as a  $V_{CC}/2$  common-mode bus voltage bias for a split-termination network (see [Application and Implementation](#)).

## 6 Pin Configuration and Functions



### Pin Functions

PIN		TYPE	DESCRIPTION
NO.	NAME		
1	TXD	I	CAN transmit data input (low for dominant bus state, high for recessive bus state)
2	GND	GND	Ground connection
3	V <sub>CC</sub>	Supply	Transceiver 5-V supply voltage input
4	RXD	O	CAN receive data output (low in dominant bus state, high in recessive bus state)
5	SPLIT	O	Common-mode stabilization output
6	CANL	I/O	Low-level CAN bus line
7	CANH	I/O	High-level CAN bus line
8	STB	I	Standby mode select pin (active high)
—	NC	NC	No connect

## 7 Specifications

### 7.1 Absolute Maximum Ratings

over operating free-air temperature range (unless otherwise noted)<sup>(1)(2)</sup>

		MIN	MAX	UNIT
V <sub>CC</sub>	Supply voltage	-0.3	6	V
	Voltage at bus terminals (CANH, CANL, SPLIT)	-27	40	V
I <sub>O</sub>	Receiver output current		20	mA
V <sub>I</sub>	Voltage input, ISO 7637 transient pulse <sup>(3)</sup> (CANH, CANL)	-150	100	V
V <sub>I</sub>	Voltage input (TXD, STB)	-0.3	6	V
T <sub>J</sub>	Junction temperature	-40	150	°C
T <sub>stg</sub>	Storage temperature	-40	150	°C

- Stresses beyond those listed under *Absolute Maximum Ratings* may cause permanent damage to the device. These are stress ratings only, which do not imply functional operation of the device at these or any other conditions beyond those indicated under *Recommended Operating Conditions*. Exposure to absolute-maximum-rated conditions for extended periods may affect device reliability.
- All voltage values, except differential I/O bus voltages, are with respect to network ground terminal.
- Tested in accordance with ISO 7637 test pulses 1, 2, 3a, 3b per IBEE system level test (Pulse 1 = -100 V, Pulse 2 = 100 V, Pulse 3a = -150 V, Pulse 3b = 100 V). If dc may be coupled with AC transients, externally protect the bus pins within the absolute maximum voltage range at any bus terminal. This device has been tested with DC bus shorts to +40 V with leading common-mode chokes. If common-mode chokes are used in the system and the bus lines may be shorted to DC, ensure that the choke type and value in combination with the node termination and shorting voltage either does not create inductive flyback outside of voltage maximum specification or use an external transient-suppression circuit to protect the transceiver from the inductive transients.

### 7.2 ESD Ratings

			VALUE	UNIT	
V <sub>(ESD)</sub>	Electrostatic discharge	Human-body model (HBM), per AEC Q100-002 <sup>(1)</sup>	All pins except 5, 6, and 7	±4000	V
			Pins 6 and 7 <sup>(2)</sup>	±12000	
			Pin 5 <sup>(3)</sup>	±10000	
		Charged-device model (CDM), per AEC Q100-011		±1500	
		Machine model (MM) <sup>(4)</sup>		±200	

- AEC Q100-002 indicates that HBM stressing shall be in accordance with the ANSI/ESDA/JEDEC JS-001 specification.
- Test method based upon JEDEC Standard 22 Test Method A114F and AEC-Q100-002, CANH and CANL bus pins stressed with respect to each other and GND.
- Test method based upon JEDEC Standard 22 Test Method A114F and AEC-Q100-002, SPLIT pin stressed with respect to GND.
- Tested in accordance JEDEC Standard 22 Test Method A115A and AEC-Q100-003.

### 7.3 Recommended Operating Conditions

			MIN	MAX	UNIT
V <sub>CC</sub>	Supply voltage		4.75	5.25	V
V <sub>I</sub> or V <sub>IC</sub>	Voltage at any bus terminal (separately or common mode)		-12	12	V
V <sub>IH</sub>	High-level input voltage	TXD, STB	2	5.25	V
V <sub>IL</sub>	Low-level input voltage	TXD, STB	0	0.8	V
V <sub>ID</sub>	Differential input voltage		-6	6	V
I <sub>OH</sub>	High-level output current	Driver	-70		mA
		Receiver (RXD)	-2		
I <sub>OL</sub>	Low-level output current	Driver	70		mA
		Receiver (RXD)	2		
T <sub>A</sub>	Operating free-air temperature range		-40	125	°C
T <sub>J</sub>	Junction temperature		-40	150	°C

## 7.4 Thermal Information

THERMAL METRIC <sup>(1)</sup>		SN65HVD1040A-Q1		UNIT
		D (SOIC)		
		8 PINS		
R <sub>θJA</sub>	Junction-to-ambient thermal resistance	Low-K thermal resistance <sup>(2)</sup>	140	°C/W
		High-K thermal resistance <sup>(3)</sup>	112	°C/W
R <sub>θJC(top)</sub>	Junction-to-case (top) thermal resistance		56	°C/W
R <sub>θJB</sub>	Junction-to-board thermal resistance		50	°C/W
Ψ <sub>JT</sub>	Junction-to-top characterization parameter		13	°C/W
Ψ <sub>JB</sub>	Junction-to-board characterization parameter		55	°C/W
R <sub>θJC(bot)</sub>	Junction-to-case (bottom) thermal resistance		—	°C/W

- (1) For more information about traditional and new thermal metrics, see the application report, [Semiconductor and IC Package Thermal Metrics](#).
- (2) The junction-to-ambient thermal resistance under natural convection is obtained in a simulation on a JEDEC-standard, Low-K board, as specified in JESD51-3, in an environment described in JESD51-2a.
- (3) The junction-to-ambient thermal resistance under natural convection is obtained in a simulation on a JEDEC-standard, High-K board, as specified in JESD51-7, in an environment described in JESD51-2a.

## 7.5 Electrical Characteristics

over recommended operating conditions including operating free-air temperature range (unless otherwise noted)

PARAMETER		TEST CONDITIONS	MIN	TYP <sup>(1)</sup>	MAX	UNIT		
<b>SUPPLY</b>								
I <sub>CC</sub>	5-V supply current	Standby mode	STB at V <sub>CC</sub> , V <sub>I</sub> = V <sub>CC</sub>		6	12	μA	
		Dominant	V <sub>I</sub> = 0 V, 60-Ω load, STB at 0 V		50	70	mA	
		Recessive	V <sub>I</sub> = V <sub>CC</sub> , No load, STB at 0 V		6	10		
UV <sub>VCC</sub>	Undervoltage reset threshold		2.8		4	V		
<b>DRIVER</b>								
V <sub>O(D)</sub>	Bus output voltage (dominant)	CANH	V <sub>I</sub> = 0 V, STB at 0 V, R <sub>L</sub> = 60 Ω, See <a href="#">Figure 3</a> and <a href="#">Figure 15</a>		2.9	3.4	4.5	V
		CANL			0.8		1.75	
V <sub>O(R)</sub>	Bus output voltage (recessive)		V <sub>I</sub> = 3 V, STB at 0 V, R <sub>L</sub> = 60 Ω, See <a href="#">Figure 3</a> and <a href="#">Figure 15</a>		2	2.5	3	V
V <sub>O</sub>	Bus output voltage (standby mode)		STB at V <sub>CC</sub> , R <sub>L</sub> = 60 Ω, See <a href="#">Figure 3</a> and <a href="#">Figure 15</a>		-0.1		0.1	V
V <sub>OD(D)</sub>	Differential output voltage (dominant)		V <sub>I</sub> = 0 V, R <sub>L</sub> = 60 Ω, STB at 0 V, See <a href="#">Figure 3</a> , <a href="#">Figure 15</a> , and <a href="#">Figure 4</a>		1.5		3	V
			V <sub>I</sub> = 0 V, R <sub>L</sub> = 45 Ω, STB at 0 V, See <a href="#">Figure 3</a> , <a href="#">Figure 15</a> , and <a href="#">Figure 4</a>		1.4		3	
V <sub>OD(R)</sub>	Differential output voltage (recessive)		V <sub>I</sub> = 3 V, STB at 0 V, R <sub>L</sub> = 60 Ω, See <a href="#">Figure 3</a> and <a href="#">Figure 15</a>		-0.012		0.012	V
			V <sub>I</sub> = 3 V, STB at 0 V, No load		-0.5		0.05	
V <sub>SYM</sub>	Output symmetry (dominant or recessive) (V <sub>O(CANH)</sub> + V <sub>O(CANL)</sub> )		STB at 0 V, R <sub>L</sub> = 60 Ω, See <a href="#">Figure 14</a>		0.9 V <sub>CC</sub>	V <sub>CC</sub>	1.1 V <sub>CC</sub>	V
V <sub>OC(ss)</sub>	Steady-state common-mode output voltage		STB at 0 V, R <sub>L</sub> = 60 Ω, See <a href="#">Figure 9</a>		2	2.5	3	V
ΔV <sub>OC(ss)</sub>	Change in steady-state common-mode output voltage		STB at 0 V, R <sub>L</sub> = 60 Ω, See <a href="#">Figure 9</a>			30		mV
V <sub>IH</sub>	High-level input voltage, TXD input				2			V
V <sub>IL</sub>	Low-level input voltage, TXD input						0.8	V
I <sub>IH</sub>	High-level input current, TXD input		V <sub>I</sub> at V <sub>CC</sub>		-2		2	μA
I <sub>IL</sub>	Low-level input current, TXD input		V <sub>I</sub> at 0 V		-50		-10	μA
I <sub>O(off)</sub>	Power-off TXD output current		V <sub>CC</sub> at 0 V, TXD at 5 V				1	μA

- (1) All typical values are at 25°C with a 5-V supply.

## Electrical Characteristics (continued)

over recommended operating conditions including operating free-air temperature range (unless otherwise noted)

PARAMETER	TEST CONDITIONS	MIN	TYP <sup>(1)</sup>	MAX	UNIT			
$I_{OS(ss)}$	Short-circuit steady-state output current, Dominant	$V_{CANH} = -12\text{ V}$ , CANL open, TXD = low, See <a href="#">Figure 12</a>	-120	-85		mA		
		$V_{CANH} = 12\text{ V}$ , CANL open, TXD = low, See <a href="#">Figure 12</a>		0.4	1			
		$V_{CANL} = -12\text{ V}$ , CANH open, TXD = low, See <a href="#">Figure 12</a>	-1	-0.6				
		$V_{CANL} = 12\text{ V}$ , CANH open, TXD = low, See <a href="#">Figure 12</a>		75	120			
		$V_{CANH} = 0\text{ V}$ , CANL open, TXD = low, See <a href="#">Figure 12</a>	-100	-75				
		$V_{CANL} = 32\text{ V}$ , CANH open, TXD = low, See <a href="#">Figure 12</a>		75	125			
$I_{OS(ss)}$	Short-circuit steady-state output current, Recessive	$-20\text{ V} \leq V_{CANH} \leq 32\text{ V}$ , CANL open, TXD = high, See <a href="#">Figure 12</a>	-10		10	mA		
		$-20\text{ V} \leq V_{CANL} \leq 32\text{ V}$ , CANH open, TXD = high, See <a href="#">Figure 12</a>	-10		10			
$C_O$	Output capacitance	See receiver input capacitance						
<b>RECEIVER</b>								
$V_{IT+}$	Positive-going input threshold voltage, high-speed mode	STB at 0 V, See <a href="#">Table 1</a>			800	900	mV	
$V_{IT-}$	Negative-going input threshold voltage, high-speed mode	STB at 0 V, See <a href="#">Table 1</a>			500	650	mV	
$V_{hys}$	Hysteresis voltage ( $V_{IT+} - V_{IT-}$ )				100	125	mV	
$V_{IT}$	Input threshold voltage, standby mode	STB at $V_{CC}$			500	1150	mV	
$V_{OH}$	High-level output voltage	$I_O = -2\text{ mA}$ , See <a href="#">Figure 7</a>			4	4.6	V	
$V_{OL}$	Low-level output voltage	$I_O = 2\text{ mA}$ , See <a href="#">Figure 7</a>			0.2	0.4	V	
$I_{I(off)}$	Power-off bus input current (unpowered bus leakage current)	CANH = CANL = 5 V, $V_{CC}$ at 0 V, TXD at 0 V				3	$\mu\text{A}$	
$I_{O(off)}$	Power-off RXD leakage current	$V_{CC}$ at 0 V, RXD at 5 V				20	$\mu\text{A}$	
$C_I$	Input capacitance to ground (CANH or CANL)	TXD at 3 V, $V_I = 0.4 \sin(4E6\pi t) + 2.5\text{ V}$				13	pF	
$C_{ID}$	Differential input capacitance	TXD at 3 V, $V_I = 0.4 \sin(4E6\pi t)$				6	pF	
$R_{ID}$	Differential input resistance	TXD at 3 V, STB at 0 V			30	80	k $\Omega$	
$R_{IN}$	Input resistance (CANH or CANL)	TXD at 3 V, STB at 0 V			15	30	40	k $\Omega$
$R_{I(m)}$	Input resistance matching [ $1 - (R_{IN(CANH)} / R_{IN(CANL)})$ ] $\times$ 100%	$V_{(CANH)} = V_{(CANL)}$			-3%	0%	3%	
<b>STB PIN</b>								
$V_{IH}$	High-level input voltage, STB input				2		V	
$V_{IL}$	Low-level input voltage, STB input					0.8	V	
$I_{IH}$	High-level input current	STB at 2 V			-10	0	$\mu\text{A}$	
$I_{IL}$	Low-level input current	STB at 0.8 V			-10	0	$\mu\text{A}$	
<b>SPLIT PIN</b>								
$V_O$	Output voltage	$-500\text{ }\mu\text{A} < I_O < 500\text{ }\mu\text{A}$			$0.3 \times V_{CC}$	$0.5 \times V_{CC}$	$0.7 \times V_{CC}$	V
$I_{O(stb)}$	Leakage current, standby mode	STB at 2 V, $-12\text{ V} \leq V_O \leq 12\text{ V}$			-5		5	$\mu\text{A}$

## 7.6 Power Dissipation Characteristics

over recommended operating conditions,  $T_A = -40^\circ\text{C}$  to  $125^\circ\text{C}$  (unless otherwise noted)

PARAMETER	TEST CONDITIONS	MIN	TYP	MAX	UNIT		
$P_D$	Average power dissipation	$V_{CC} = 5\text{ V}$ , $T_J = 27^\circ\text{C}$ , $R_L = 60\text{ }\Omega$ , STB at 0 V, Input to TXD at 500 kHz, 50% duty cycle square wave, $C_L$ at RXD = 15 pF				112	mW
		$V_{CC} = 5.5\text{ V}$ , $T_J = 130^\circ\text{C}$ , $R_L = 45\text{ }\Omega$ , STB at 0 V, Input to TXD at 500 kHz, 50% duty cycle square wave, $C_L$ at RXD = 15 pF				170	

## Power Dissipation Characteristics (continued)

 over recommended operating conditions,  $T_A = -40^{\circ}\text{C}$  to  $125^{\circ}\text{C}$  (unless otherwise noted)

	TEST CONDITIONS	MIN	TYP	MAX	UNIT
Thermal shutdown temperature			185		$^{\circ}\text{C}$

## 7.7 Switching Characteristics

over operating free-air temperature range (unless otherwise noted)

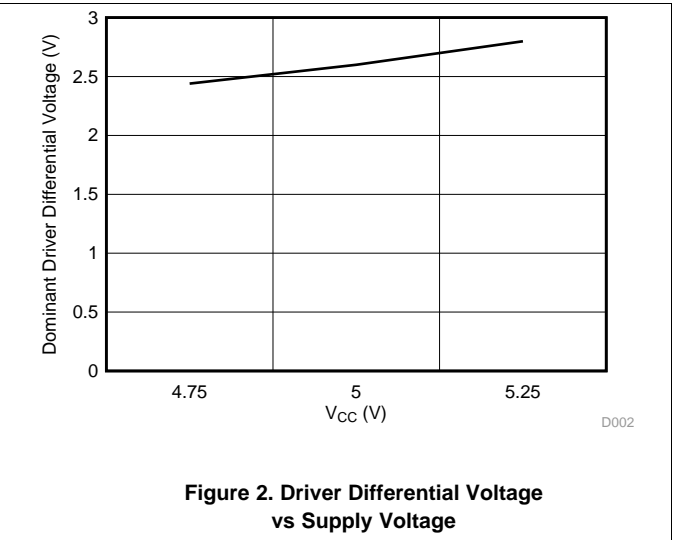
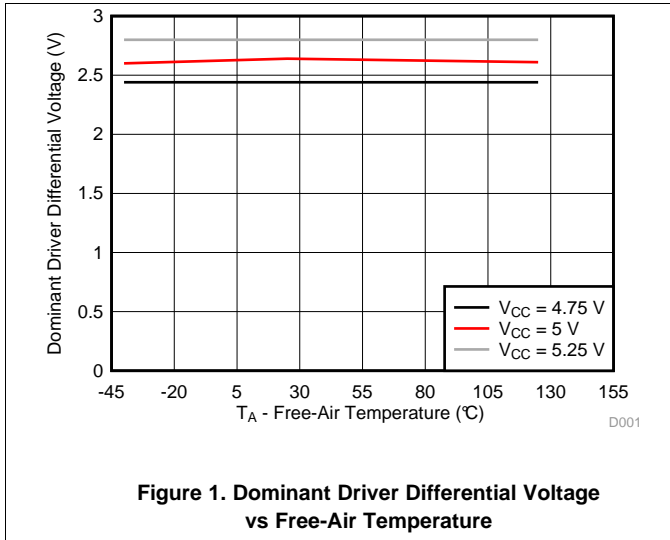
PARAMETER	TEST CONDITIONS	MIN	TYP	MAX	UNIT	
<b>DEVICE SWITCHING CHARACTERISTICS</b>						
$t_{d(\text{LOOP1})}$	Total loop delay, driver input to receiver output, recessive to dominant	STB at 0 V, see <a href="#">Figure 10</a>	90	230	ns	
$t_{d(\text{LOOP2})}$	Total loop delay, driver input to receiver output, dominant to recessive	STB at 0 V, see <a href="#">Figure 10</a>	90	230	ns	
<b>DRIVER SWITCHING CHARACTERISTICS</b>						
$t_{\text{PLH}}$	Propagation delay time, low-to-high level output	STB at 0 V, see <a href="#">Figure 5</a>	25	65	120	ns
$t_{\text{PHL}}$	Propagation delay time, high-to-low level output	STB at 0 V, see <a href="#">Figure 5</a>	25	45	120	ns
$t_r$	Differential output signal rise time	STB at 0 V, see <a href="#">Figure 5</a>	25		ns	
$t_f$	Differential output signal fall time	STB at 0 V, see <a href="#">Figure 5</a>	45		ns	
$t_{\text{en}}$	Enable time from standby mode to normal mode and transmission of dominant	See <a href="#">Figure 8</a>		10	$\mu\text{s}$	
$t_{(\text{dom})}$	Dominant time-out <sup>(1)</sup>	$\downarrow V_I$ , see <a href="#">Figure 11</a>	300	450	700	$\mu\text{s}$
<b>RECEIVER SWITCHING CHARACTERISTICS</b>						
$t_{\text{PLH}}$	Propagation delay time, low-to-high-level output	STB at 0 V, see <a href="#">Figure 7</a>	60	90	130	ns
$t_{\text{PHL}}$	Propagation delay time, high-to-low-level output	STB at 0 V, see <a href="#">Figure 7</a>	45	70	130	ns
$t_r$	Output signal rise time	STB at 0 V, see <a href="#">Figure 7</a>	8		ns	
$t_f$	Output signal fall time	STB at 0 V, see <a href="#">Figure 7</a>	8		ns	
$t_{\text{BUS}}$	Dominant time required on bus for wakeup from standby	STB at $V_{\text{CC}}$ , see <a href="#">Figure 13</a>	1.5	5	$\mu\text{s}$	

- (1) The TXD dominant time-out ( $t_{(\text{dom})}$ ) disables the driver of the transceiver once the TXD has been dominant longer than  $t_{(\text{dom})}$ , which releases the bus lines to recessive, preventing a local failure from locking the bus dominant. The driver may only transmit dominant again after TXD has been returned HIGH (recessive). While this protects the bus from local faults, locking the bus dominant, it limits the minimum data rate possible. The CAN protocol allows a maximum of eleven successive dominant bits (on TXD) for the worst case, where 5 successive dominant bits are followed immediately by an error frame. This, along with the  $t_{(\text{dom})}$  minimum, limits the minimum bit rate. The minimum bit rate may be calculated by:

$$\text{Minimum Bit Rate} = 11 / t_{(\text{dom})} = 11 \text{ bits} / 300 \mu\text{s} = 37 \text{ kbps}$$



### 7.8 Typical Characteristics



## 8 Parameter Measurement Information

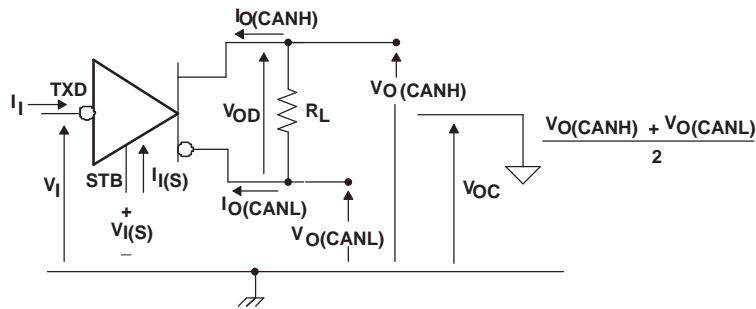


Figure 3. Driver Voltage, Current, and Test Definition

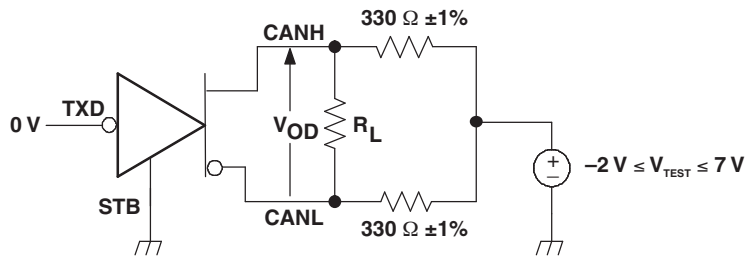


Figure 4. Driver  $V_{OD}$  Test Circuit

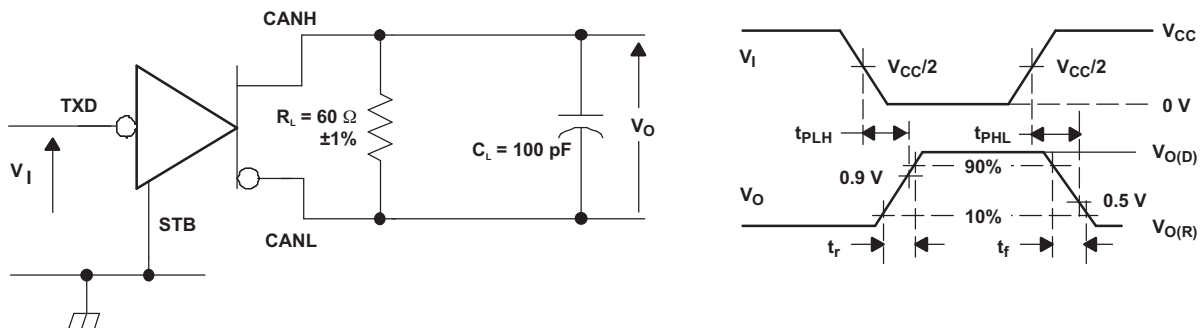


Figure 5. Driver Test Circuit and Voltage Waveforms

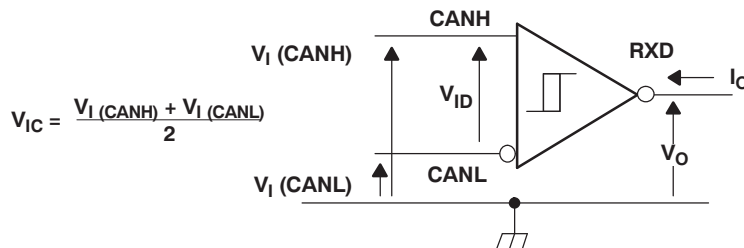
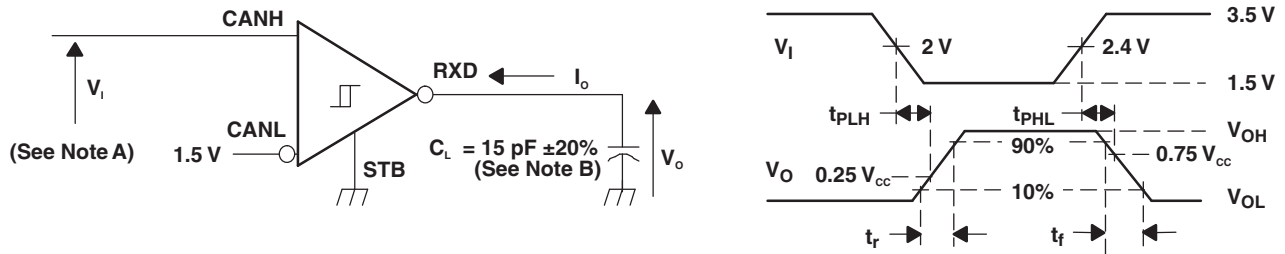


Figure 6. Receiver Voltage and Current Definitions

Parameter Measurement Information (continued)

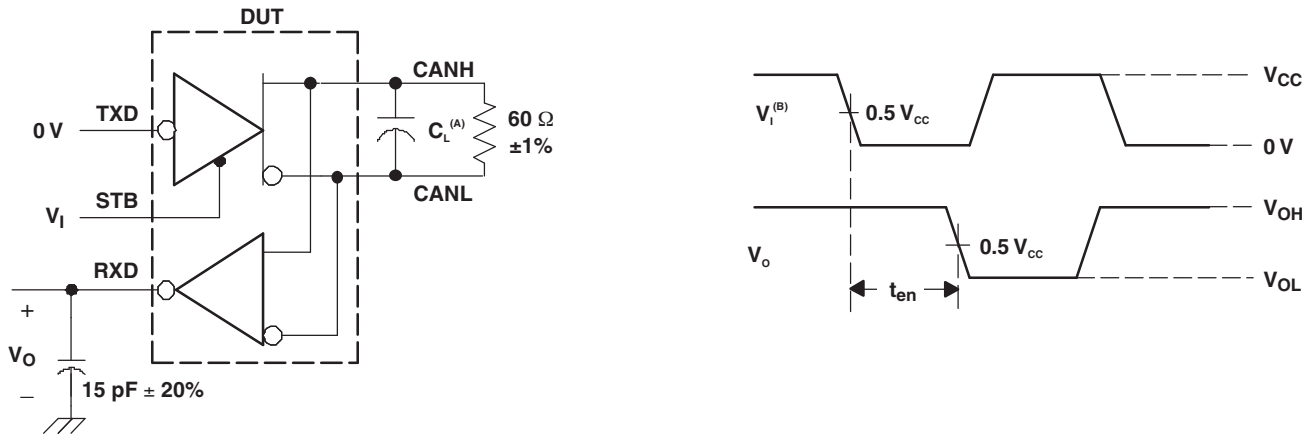


- A. The input pulse is supplied by a generator having the following characteristics: PRR ≤ 125 kHz, 50% duty cycle,  $t_r \leq 6$  ns,  $t_f \leq 6$  ns,  $Z_O = 50 \Omega$ .
- B.  $C_L$  includes instrumentation and fixture capacitance within  $\pm 20\%$ .

Figure 7. Receiver Test Circuit and Voltage Waveforms

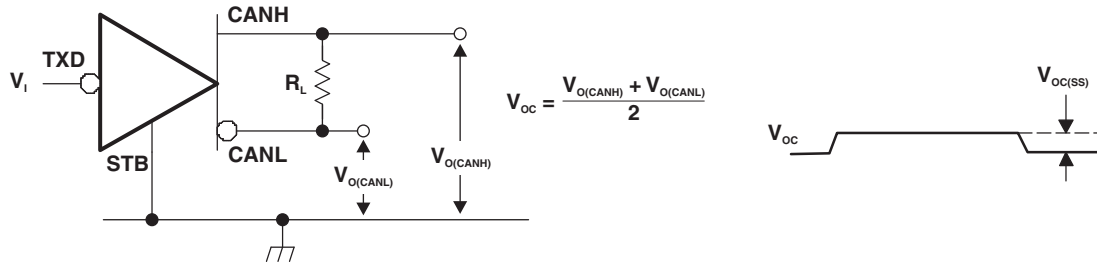
Table 1. Differential Input Voltage Threshold Test

INPUT			OUTPUT R
V <sub>CANH</sub>	V <sub>CANL</sub>	V <sub>ID</sub>	
-11.1 V	-12 V	900 mV	V <sub>OL</sub>
12 V	11.1 V	900 mV	
-6 V	-12 V	6 V	
12 V	6 V	6 V	
-11.5 V	-12 V	500 mV	V <sub>OH</sub>
12 V	11.5 V	500 mV	
-12 V	-6 V	6 V	
6 V	12 V	6 V	
Open	Open	X	H



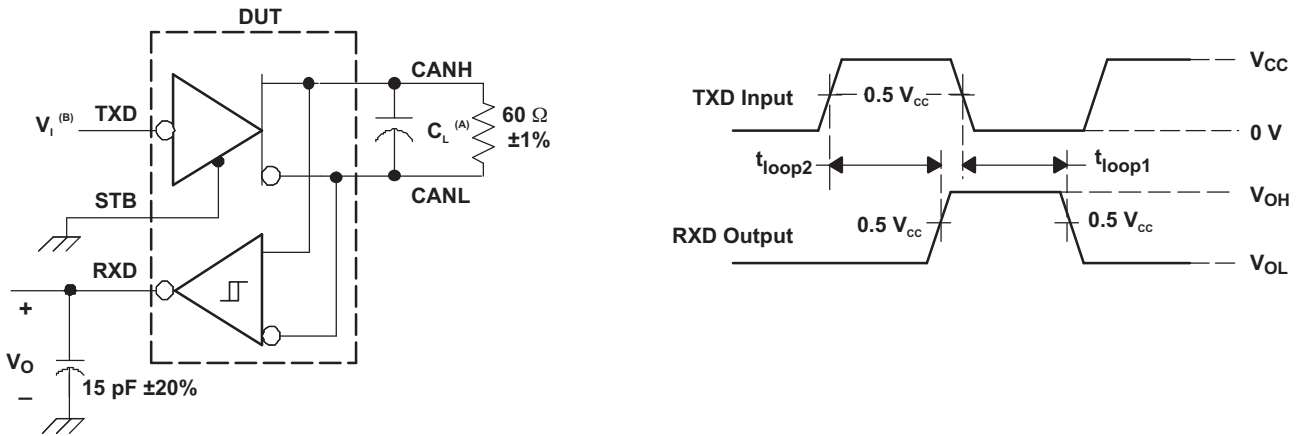
- A.  $C_L = 100$  pF and includes instrumentation and fixture capacitance within  $\pm 20\%$ .
- B. All  $V_I$  input pulses are supplied by a generator having the following characteristics:  $t_r$  or  $t_f \leq 6$  ns, pulse repetition rate (PRR) = 125 kHz, 50% duty cycle.

Figure 8.  $t_{en}$  Test Circuit and Waveforms



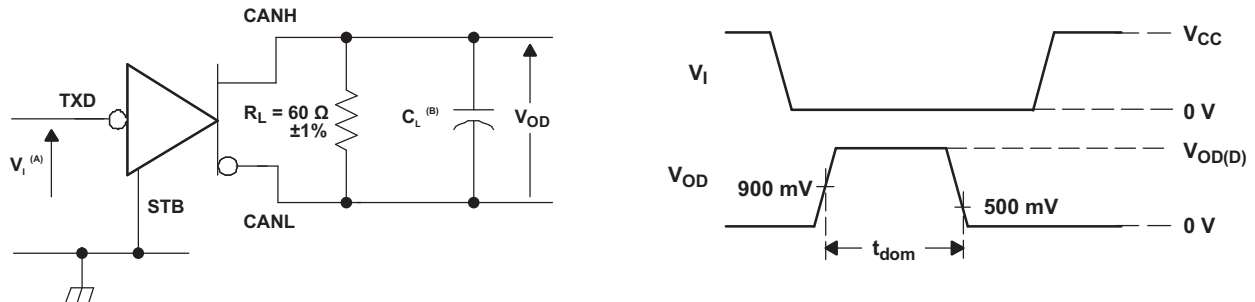
NOTE: All  $V_I$  input pulses are from 0 V to  $V_{CC}$  and supplied by a generator having the following characteristics:  $t_r$  or  $t_f \leq 6$  ns, pulse repetition rate (PRR) = 125 kHz, 50% duty cycle.

Figure 9. Common-Mode Output Voltage Test and Waveforms



- A.  $C_L = 100$  pF and includes instrumentation and fixture capacitance within  $\pm 20\%$ .
- B. All  $V_I$  input pulses are from 0 V to  $V_{CC}$  and supplied by a generator having the following characteristics:  $t_r$  or  $t_f \leq 6$  ns, pulse repetition rate (PRR) = 125 kHz, 50% duty cycle.

Figure 10.  $t_{(LOOP)}$  Test Circuit and Waveforms



- A. All  $V_I$  input pulses are from 0 V to  $V_{CC}$  and supplied by a generator having the following characteristics:  $t_r$  or  $t_f \leq 6$  ns, pulse repetition rate (PRR) = 500 Hz, 50% duty cycle.
- B.  $C_L = 100$  pF includes instrumentation and fixture capacitance within  $\pm 20\%$ .

Figure 11. Dominant Time-Out Test Circuit and Waveforms

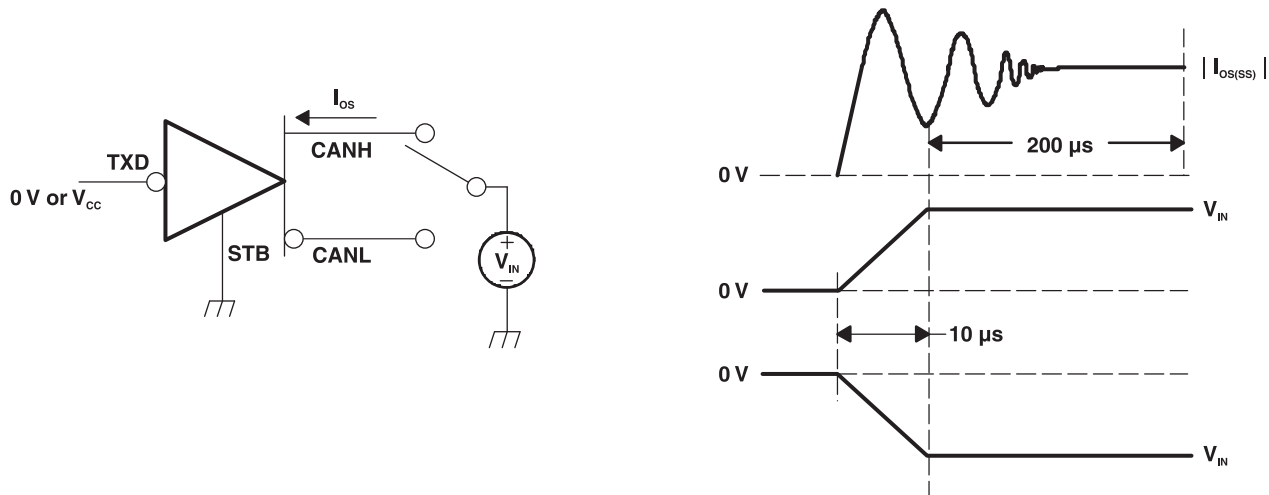
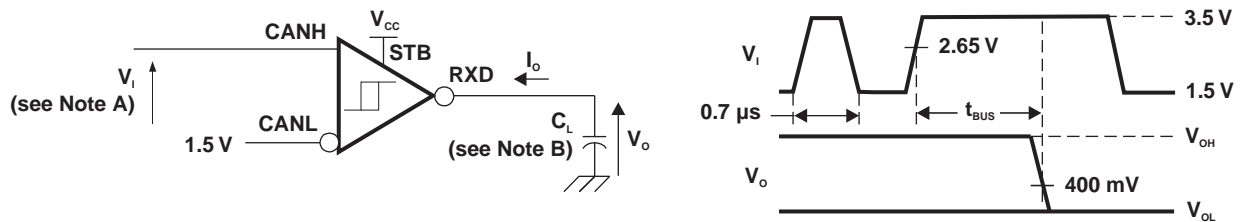
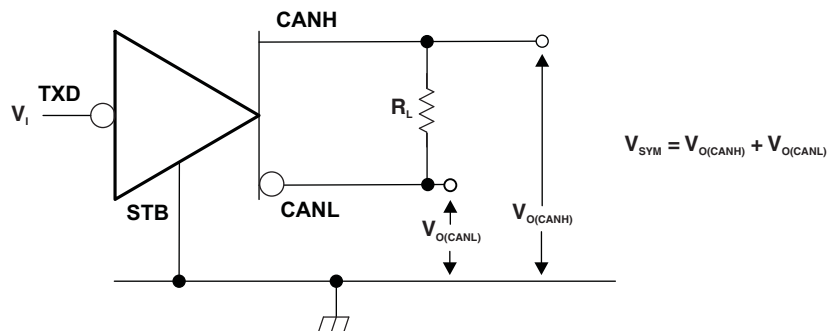


Figure 12. Driver Short-Circuit Current Test and Waveforms



- A. For  $V_I$  bit width  $\leq 0.7 \mu\text{s}$ ,  $V_O = V_{OH}$ . For  $V_I$  bit width  $\geq 5 \mu\text{s}$ ,  $V_O = V_{OL}$ .  $V_I$  input pulses are supplied from a generator with the following characteristics:  $t_r/t_f < 6 \text{ ns}$ .
- B.  $C_L = 15 \text{ pF}$  and includes instrumentation and fixture capacitance within  $\pm 20\%$ .

Figure 13.  $t_{BUS}$  Test Circuit and Waveforms



- A. All  $V_I$  input pulses are from  $0 \text{ V}$  to  $V_{CC}$  and supplied by a generator having the following characteristics:  $t_r/t_f \leq 6 \text{ ns}$ , pulse repetition rate (PRR) =  $250 \text{ kHz}$ , 50% duty cycle.

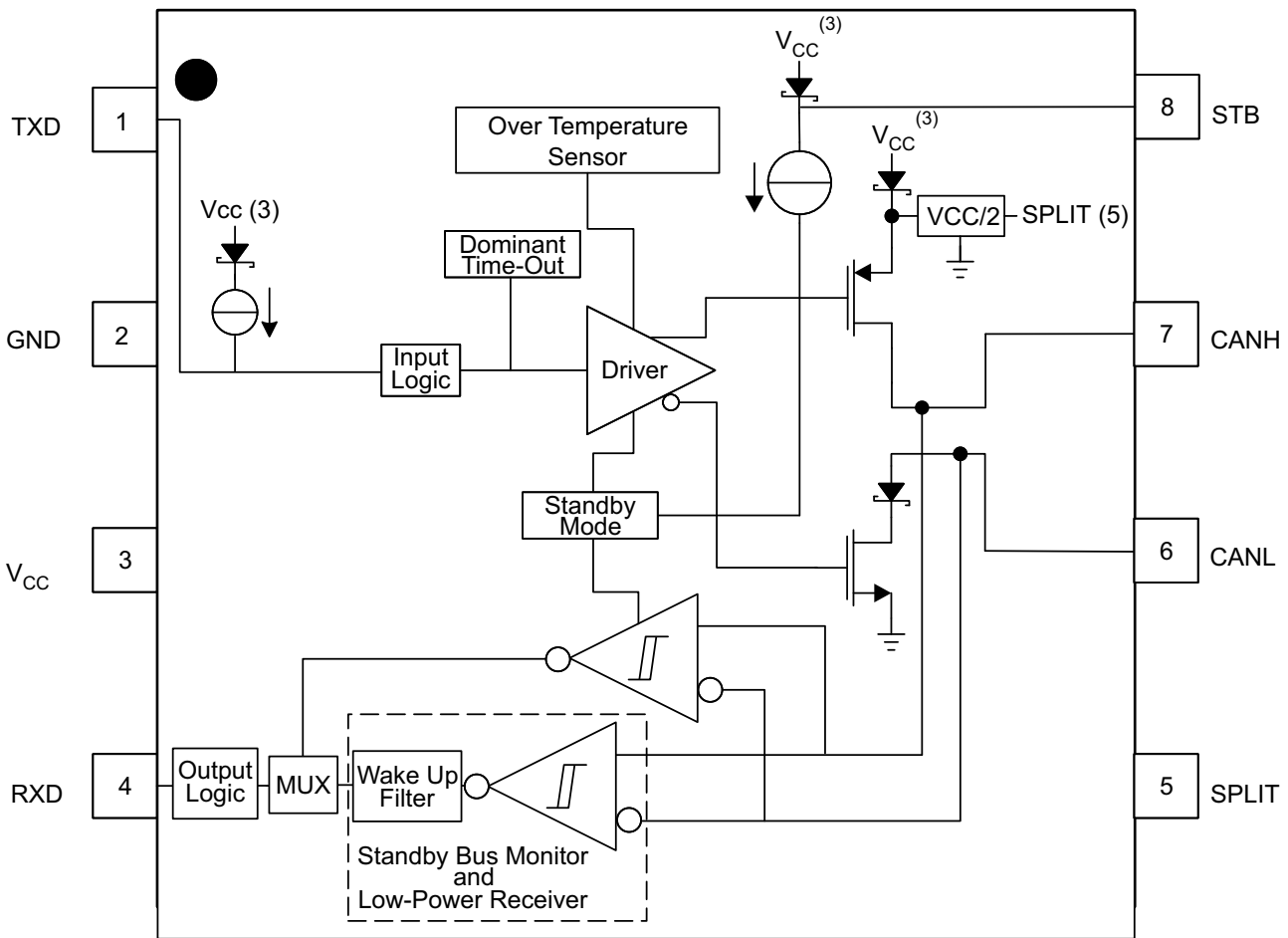
Figure 14. Driver Output Symmetry Test Circuit

## 9 Detailed Description

### 9.1 Overview

The SN65HVD1040A-Q1 CAN transceiver is compatible with the ISO 11898-2 high-speed CAN (Controller Area Network) physical layer standard. The device is designed to interface between the differential bus lines in controller area network and the CAN protocol controller at data rates up to 1 Mbps.

### 9.2 Functional Block Diagram



Copyright © 2016, Texas Instruments Incorporated

### 9.3 Feature Description

#### 9.3.1 Operating Modes

The device has two main operating modes: normal mode and standby mode. Operating mode selection is made through the STB input pin.

Table 2. Operating Modes

STB PIN	MODE	DRIVER	RECEIVER	RXD PIN
LOW	NORMAL	Enabled (On)	Enabled (On)	Mirrors CAN bus
HIGH	STANDBY	Disabled (Off)	Low-power wake-up receiver and bus monitor enabled (On)	Low = wake-up request received High = no wake-up request received

### 9.3.1.1 Bus States by Mode

The CAN bus has three valid states during powered operation depending on the mode of the device. In normal mode the bus may be dominant (logic low) where the bus lines are driven differentially apart or recessive (logic high) where the bus lines are biased to  $V_{CC}/2$  through the high-ohmic internal input resistors  $R_{IN}$  of the receiver. The third state is low-power standby mode where the bus lines are biased to GND through the high-ohmic internal input resistors  $R_{IN}$  of the receiver.

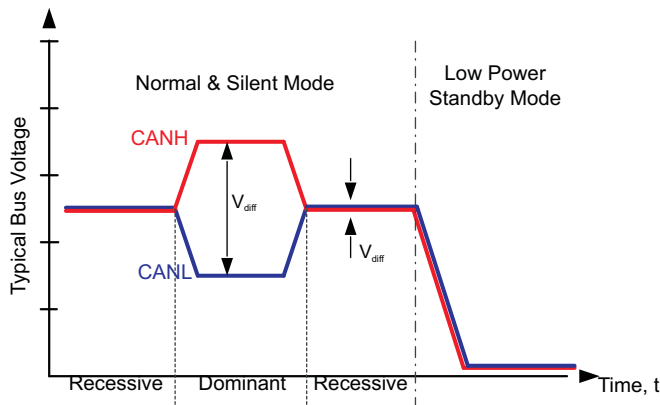


Figure 15. Bus States (Physical Bit Representation)

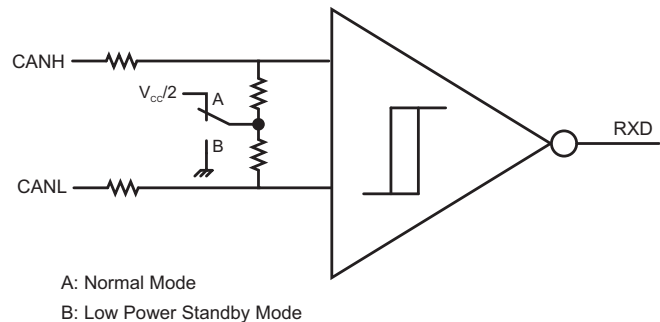


Figure 16. Simplified Common-Mode Bias and Receiver Implementation

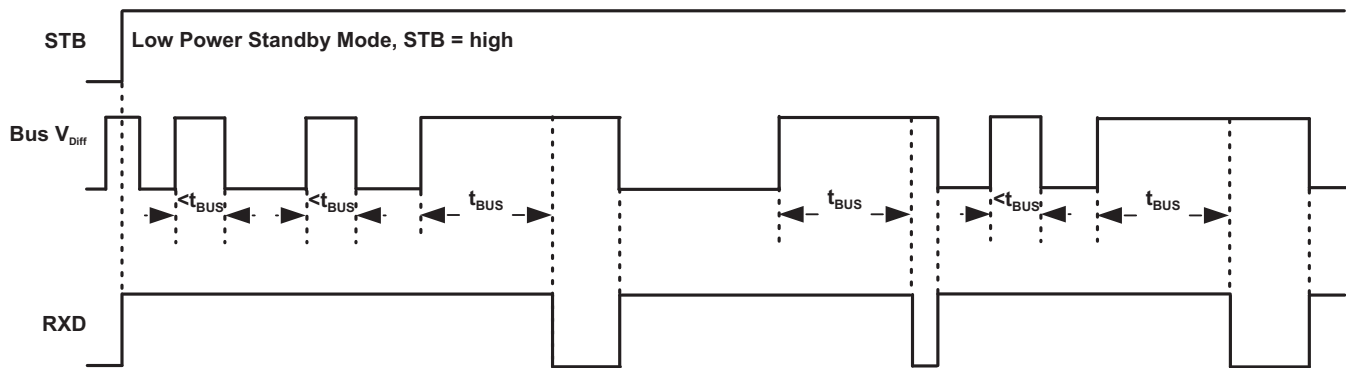
### 9.3.1.2 Normal Mode

This is the normal operating mode of the device. It is selected by setting STB low. The CAN driver and receiver are fully operational and CAN communication is bidirectional. The driver is translating a digital input on TXD to a differential output on CANH and CANL. The receiver is translating the differential signal from CANH and CANL to a digital output on RXD. In recessive state the bus pins are biased to  $0.5 \times V_{CC}$ . In dominant state the bus pins (CANH and CANL) are driven differentially apart. Logic high is equivalent to recessive on the bus and logic low is equivalent to a dominant (differential) signal on the bus.

The SPLIT pin is biased to  $0.5 \times V_{CC}$  for bus common-mode bus voltage bias stabilization in split termination network applications (see [Application and Implementation](#)).

### 9.3.1.3 Standby Mode and RXD Wake-Up Request

This is the low-power mode of the device. It is selected by setting STB high. The CAN driver and main receiver are turned off and bidirectional CAN communication is not possible. The low-power receiver and bus monitor are enabled to allow for wake-up requests through the bus. A wake-up request will be output to RXD (driven low) for any dominant bus transmissions longer than the filter time  $t_{BUS}$ . The local protocol controller (MCU) should monitor RXD for transitions and then reactivate the device to normal mode based on the wake-up request. The CAN bus pins are weakly pulled to GND and the SPLIT pin is off (floating).



**Figure 17. Standby Mode Low-Power Receiver and Bus Monitor Behavior**

## 9.3.2 Protection Features

### 9.3.2.1 TXD Dominant State Time-Out

During normal mode (the only mode in which the CAN driver is active) the TXD dominant time-out circuit prevents the transceiver from blocking network communication in event of a hardware or software failure where TXD is held dominant longer than the time-out period  $t_{DST}$ . The dominant time-out circuit is triggered by a falling edge on TXD. If no rising edge is seen before the time-out constant of the circuit expires ( $t_{DST}$ ), the CAN bus driver is disabled, thus freeing the bus for communication between other network nodes. The CAN driver is re-activated when a recessive signal is seen on the TXD pin, thus clearing the dominant state time-out. The CAN bus pins are biased to recessive level during a TXD dominant state time-out and SPLIT remains on.

#### NOTE

The maximum dominant TXD time allowed by the TXD Dominant state time-out limits the minimum possible data rate of the device. The CAN protocol allows a maximum of 11 successive dominant bits (on TXD) for the worst case, where 5 successive dominant bits are followed immediately by an error frame. This, along with the  $t_{(dom)}$  minimum, limits the minimum bit rate. The minimum bit rate may be calculated by: Minimum Bit Rate =  $11/t_{(dom)}$

### 9.3.2.2 Thermal Shutdown

If the junction temperature of the device exceeds the thermal shutdown threshold the device turns off the CAN driver circuits, including the SPLIT pin. This condition is cleared when the temperature drops below the thermal shutdown temperature of the device.

### 9.3.2.3 Undervoltage Lockout and Unpowered Device

The device has undervoltage detection and lockout on the  $V_{CC}$  supply. If an undervoltage condition is detected on  $V_{CC}$ , the device protects the bus.

The TXD pin is pulled up to  $V_{CC}$  to force a recessive input level if the pin floats. The STB is pulled up to  $V_{CC}$  to force the device in standby mode (low power) if the pin floats.

The bus pins (CANH, CANL, and SPLIT) all have extremely low leakage currents when the device is unpowered so it does not load down the bus but be an *ideal passive* load to the bus. This is critical, especially if some nodes of the network are unpowered while the rest of the network remains in operation.



## 9.4 Device Functional Modes

Table 3 and Table 4 lists the functions of this device.

**Table 3. Driver Function Table<sup>(1)</sup>**

INPUTS		OUTPUTS		BUS STATE
TXD	STB	CANH	CANL	
L	L	H	L	Dominant
H	L	Z	Z	Recessive
Open	L	Z	Z	Recessive
X	H or Open	Y	Y	Recessive

(1) H = high level, L = low level, X = irrelevant, Y = weak pulldown to GND, ? = indeterminate, Z = high impedance

**Table 4. Receiver Function Table**

DIFFERENTIAL INPUTS $V_{ID} = V(\text{CANH}) - V(\text{CANL})$	STB	OUTPUT RXD	BUS STATE
$V_{ID} \geq 0.9 \text{ V}$	L	L	Dominant
$V_{ID} \geq 1.15 \text{ V}$	H or Open	L	Dominant
$0.5 \text{ V} < V_{ID} < 0.9 \text{ V}$	X	?	?
$V_{ID} \leq 0.5 \text{ V}$	X	H	Recessive
Open	X	H	Recessive

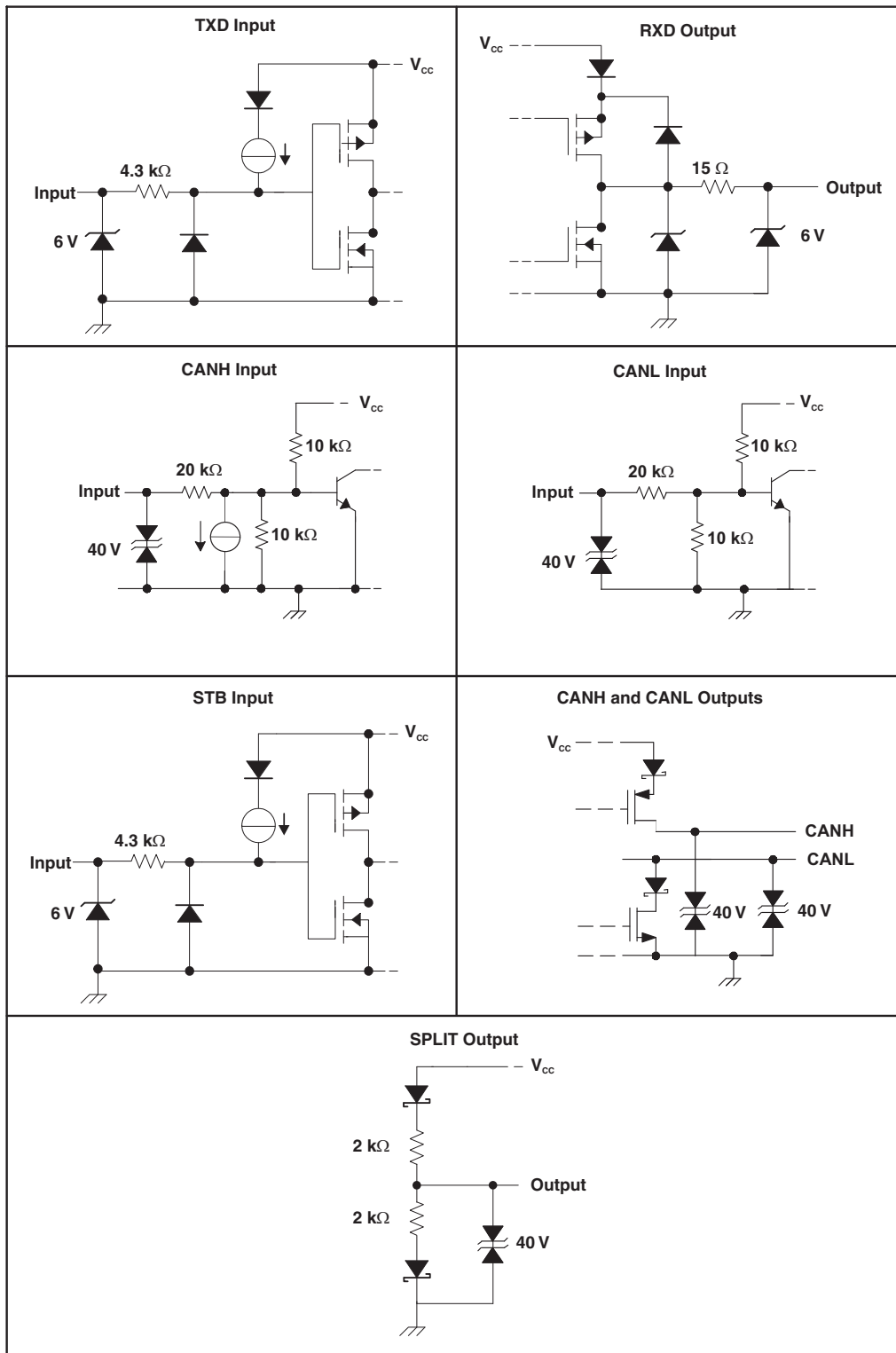


Figure 18. Equivalent Input and Output Schematic Diagrams

## 10 Application and Implementation

### NOTE

Information in the following applications sections is not part of the TI component specification, and TI does not warrant its accuracy or completeness. TI's customers are responsible for determining suitability of components for their purposes. Customers should validate and test their design implementation to confirm system functionality.

### 10.1 Application Information

#### 10.1.1 Using With 3.3-V Microcontrollers

The input level threshold for the digital input pins of this device are 3.3-V compatible; however, a few application considerations must be taken if using this device with 3.3-V microcontrollers. Both TXD and STB input pins have internal pullup sources to  $V_{CC}$ . Some microcontroller vendors recommend using an open-drain configuration on their I/O pins in this case even though the pullup limits the current. Take care of the application level so that TXD and STB have sufficient pullup to meet system timing requirements for CAN. The internal pullup on TXD especially may not be sufficient to overcome the parasitic capacitances and allow for adequate CAN timing; thus, an additional external pullup may be required. Also take care of the RXD pin of the microcontroller as the RXD output of this device drives the full  $V_{CC}$  range (5 V). If the microcontroller RXD input pin is not 5-V tolerant, this must be addressed at the application level. Other options include using a CAN transceiver from TI with I/O level adapting or a 3.3-V CAN transceiver.

#### 10.1.2 Using SPLIT With Split Termination

The SPLIT pin voltage output provides  $0.5 \times V_{CC}$  in normal mode. The circuit may be used by the application to stabilize the common-mode voltage of the bus by connecting it to the center tap of split termination for the CAN network (see [Figure 19](#) and [Figure 20](#)). This pin provides a stabilizing recessive voltage drive to offset leakage currents of unpowered transceivers or other bias imbalances that might bring the network common-mode voltage away from  $0.5 \times V_{CC}$ . Using this feature in a CAN network improves electromagnetic emissions behavior of the network by eliminating fluctuations in the bus common-mode voltage levels at the start of message transmissions.

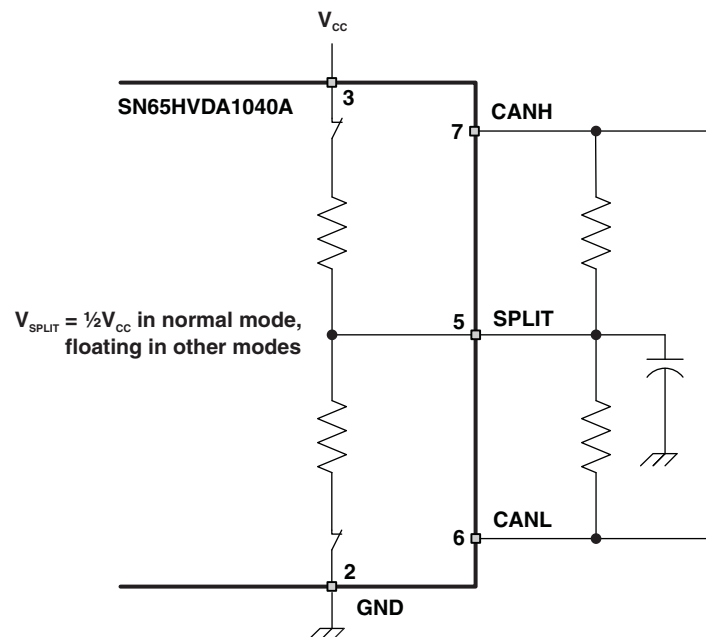


Figure 19. Split Pin Stabilization Circuitry and Application

## 10.2 Typical Application

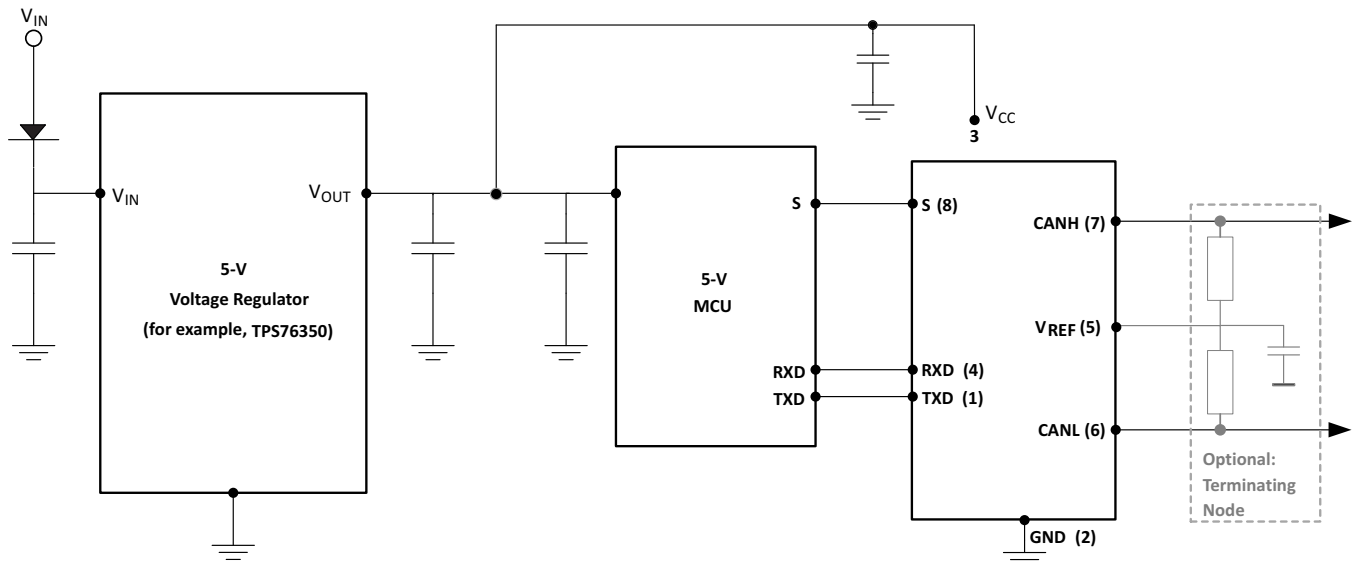


Figure 20. Typical Application Using Split Termination for Stabilization Diagram

### 10.2.1 Design Requirements

#### 10.2.1.1 Bus Loading, Length, and Number of Nodes

The ISO 11898 Standard specifies up to 1-Mbps data rate, maximum bus length of 40 meters, maximum drop line (stub) length of 0.3 meters, and a maximum of 30 nodes to a bus. However, with careful network design, the system may have longer cables, longer stub lengths, and many more nodes to a bus. Many CAN organizations and standards have scaled the use of CAN for applications outside the original ISO 11898 standard. They have made system-level trade-offs for data rate, cable length, and parasitic loading of the bus. Examples of some of these specifications are ARINC825, CANopen, CAN Kingdom, DeviceNet, and NMEA200.

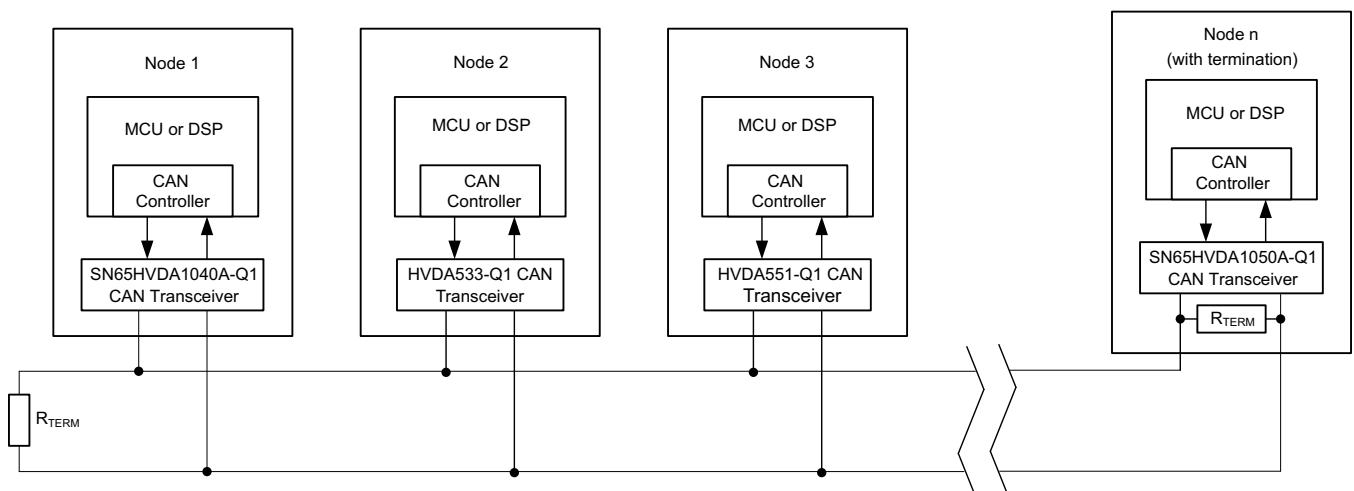


Figure 21. Typical CAN Bus Drawing

## Typical Application (continued)

A high number of nodes requires a transceiver with high input impedance and wide common-mode range such as the SN65HVD1040A-Q1 CAN transceiver. ISO 11898-2 specifies the driver differential output with a 60-Ω load (two 120-Ω termination resistors in parallel) and the differential output must be greater than 1.5 V. The SN65HVD1040A-Q1 device is specified to meet the 1.5-V requirement with a 60-Ω load, and additionally specified with a differential output voltage minimum of 1.2 V across a common-mode range of -2 V to 7 V through a 330-Ω coupling network. This network represents the bus loading of 90 SN65HVD1040A-Q1 transceivers based on their minimum differential input resistance of 30 kΩ. Therefore, the SN65HVD1040A-Q1 supports up to 90 transceivers on a single bus segment with margin to the 1.2-V minimum differential input voltage requirement at each node.

For CAN network design, margin must be given for signal loss across the system and cabling, parasitic loadings, network imbalances, ground offsets, and signal integrity, thus a practical maximum number of nodes may be lower. Bus length may also be extended beyond the original ISO 11898 standard of 40 meters by careful system design and data rate tradeoffs. For example, CANopen network design guidelines allow the network to be up to 1-km with changes in the termination resistance, cabling, less than 64 nodes and significantly lowered data rate.

This flexibility in CAN network design is one of the key strengths of the various extensions and additional standards that have been built on the original ISO 11898 CAN standard.

### 10.2.1.2 CAN Termination

The ISO 11898 standard specifies the interconnect to be a twisted pair cable (shielded or unshielded) with 120-Ω characteristic impedance ( $Z_0$ ). Resistors equal to the characteristic impedance of the line must be used to terminate both ends of the cable to prevent signal reflections. Unterminated drop lines (stubs) connecting nodes to the bus must be kept as short as possible to minimize signal reflections. The termination may be on the cable or in a node, but if nodes may be removed from the bus the termination must be carefully placed so that it is not removed from the bus.

Termination is typically a 120-Ω resistor at each end of the bus. If filtering and stabilization of the common-mode voltage of the bus is desired, then split termination may be used (see [Figure 22](#) and [Using SPLIT With Split Termination](#)).

Take care when determining the power ratings of the termination resistors. A typical worst-case fault condition is if the system power supply and ground were shorted across the termination resistance which would result in much higher current through the termination resistance than the current limit of the CAN transceiver.

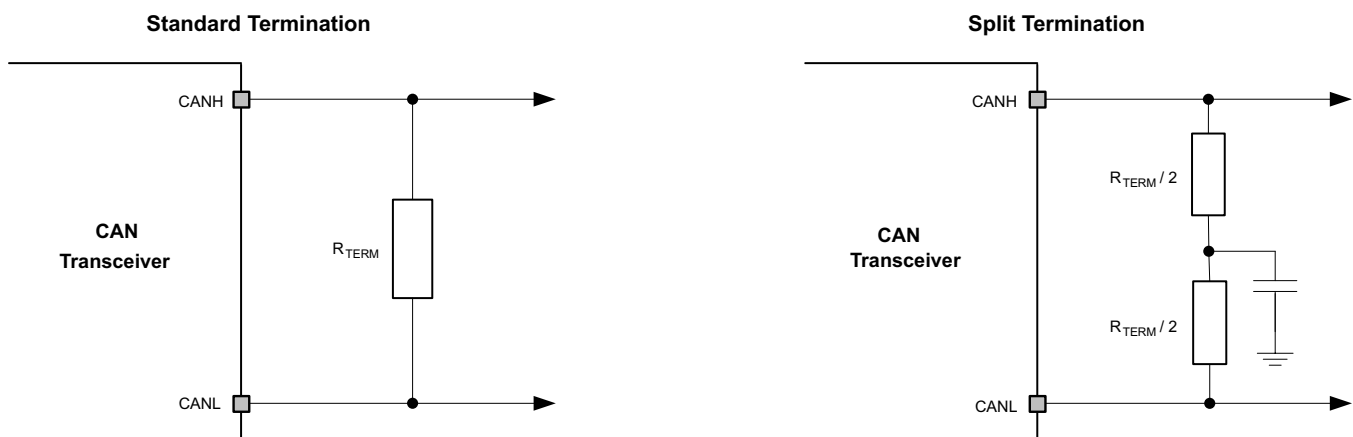


Figure 22. CAN Termination Schematic

### 10.2.1.3 Loop Propagation Delay

Transceiver loop delay is a measure of the overall device propagation delay, consisting of the delay from the driver input (the TXD pin) to the differential outputs (the CANH and CANL pins), plus the delay from the receiver inputs (the CANH and CANL) to its output (the RXD pin). A typical loop delay for the SN65HVD1040A-Q1 transceiver is displayed in [Figure 24](#) and [Figure 25](#).

## Typical Application (continued)

### 10.2.2 Detailed Design Procedure

#### 10.2.2.1 Transient Voltage Suppressor (TVS) Diodes

Transient voltage suppressors are the preferred protection components for a CAN bus due to their low capacitance, which allows them to be designed into every node of a multinode network without requiring a reduction in data rate. With response times of a few picoseconds and power ratings of up to several kilowatts, TVS diodes present the most effective protection against ESD, burst, and surge transients.

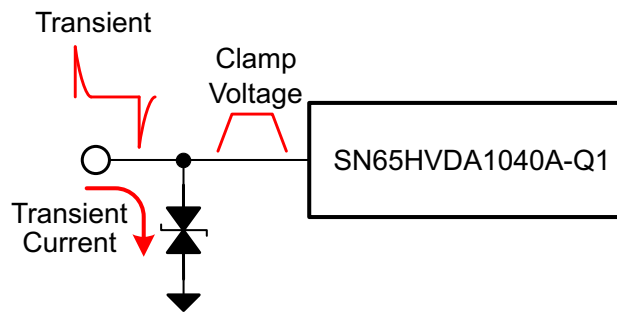
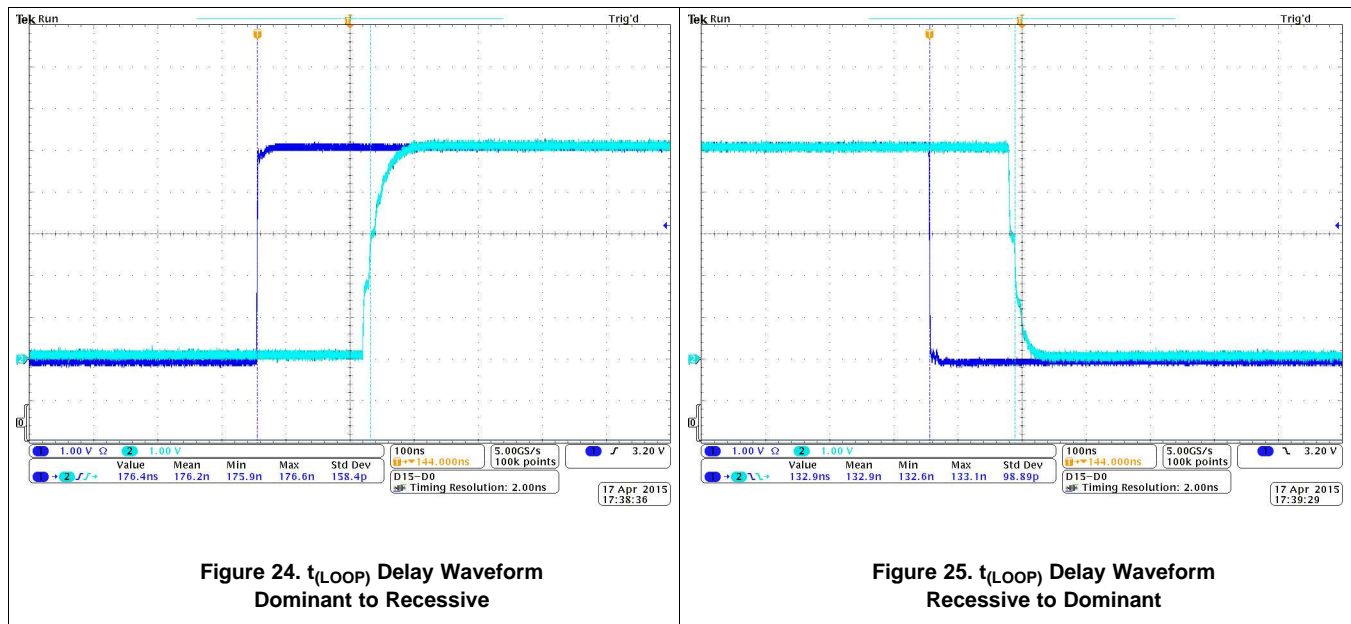


Figure 23. Transient Voltage Suppressor (TVS) Diodes Schematic

### 10.2.3 Application Curves



## 11 Power Supply Recommendations

To ensure reliable operation at all data rates and supply voltages, each supply must be decoupled with a 100-nF ceramic capacitor located as close as possible to the  $V_{CC}$  supply pins as possible. The TPS76350 device is a linear voltage regulator suitable for the 5-V supply rail.

## 12 Layout

### 12.1 Layout Guidelines

For the PCB design to be successful, start with design of the protection and filtering circuitry. Because ESD and EFT transients have a wide frequency bandwidth from approximately 3-MHz to 3-GHz, high-frequency layout techniques must be applied during PCB design. On-chip IEC ESD protection is good for laboratory and portable equipment but is usually not sufficient for EFT and surge transients occurring in industrial environments. Therefore, robust and reliable bus node design requires the use of external transient protection devices at the bus connectors. Placement at the connector also prevents these harsh transient events from propagating further into the PCB and system.

Use  $V_{CC}$  and ground planes to provide low inductance.

---

#### NOTE

High-frequency current follows the path of least inductance and not the path of least resistance.

---

Design the bus protection components in the direction of the signal path. Do not force the transient current to divert from the signal path to reach the protection device. An example placement of the Transient Voltage Suppression (TVS) device indicated as D1 (either bidirectional diode or varistor solution) and bus filter capacitors C5 and C7 are shown in [Figure 26](#).

The bus transient protection and filtering components must be placed as close to the bus connector, J1, as possible. This prevents transients, ESD and noise from penetrating onto the board and disturbing other devices.

Bus termination: [Figure 22](#) shows split termination. This is where the termination is split into two resistors, R5 and R6, with the center or split tap of the termination connected to ground through capacitor C6. Split termination provides common-mode filtering for the bus. When termination is placed on the board instead of directly on the bus, take care to ensure the terminating node is not removed from the bus as this causes signal integrity issues if the bus is not properly terminated on both ends.

Bypass and bulk capacitors should be placed as close as possible to the supply pins of transceiver, examples include C2 and C3 ( $V_{CC}$ ).

Use at least two vias for  $V_{CC}$  and ground connections of bypass capacitors and protection devices to minimize trace and via inductance.

To limit current of digital lines, serial resistors may be used. Examples are R1, R2, R3, and R4.

To filter noise on the digital IO lines, a capacitor may be used close to the input side of the IO as shown by C1 and C4.

Because the internal pullup and pulldown biasing of the device is weak for floating pins, an external 1-k $\Omega$  to 10-k $\Omega$  pullup or pulldown resistor must be used to bias the state of the pin more strongly against noise during transient events.

Pin 1: If an open-drain host processor is used to drive the TXD pin of the device an external pullup resistor between 1 k $\Omega$  and 10 k $\Omega$  must be used to drive the recessive input state of the device.

Pin 5: SPLIT must be connected to the center point of a split termination scheme to help stabilize the common-mode voltage to  $V_{CC}/2$ . If SPLIT is unused it must be left floating.

Pin 8: Is shown assuming the mode pin, STB, is used. If the device is only used in normal mode, R3 is not needed and the pads of C4 could be used for the pulldown resistor to GND.

## 12.2 Layout Example

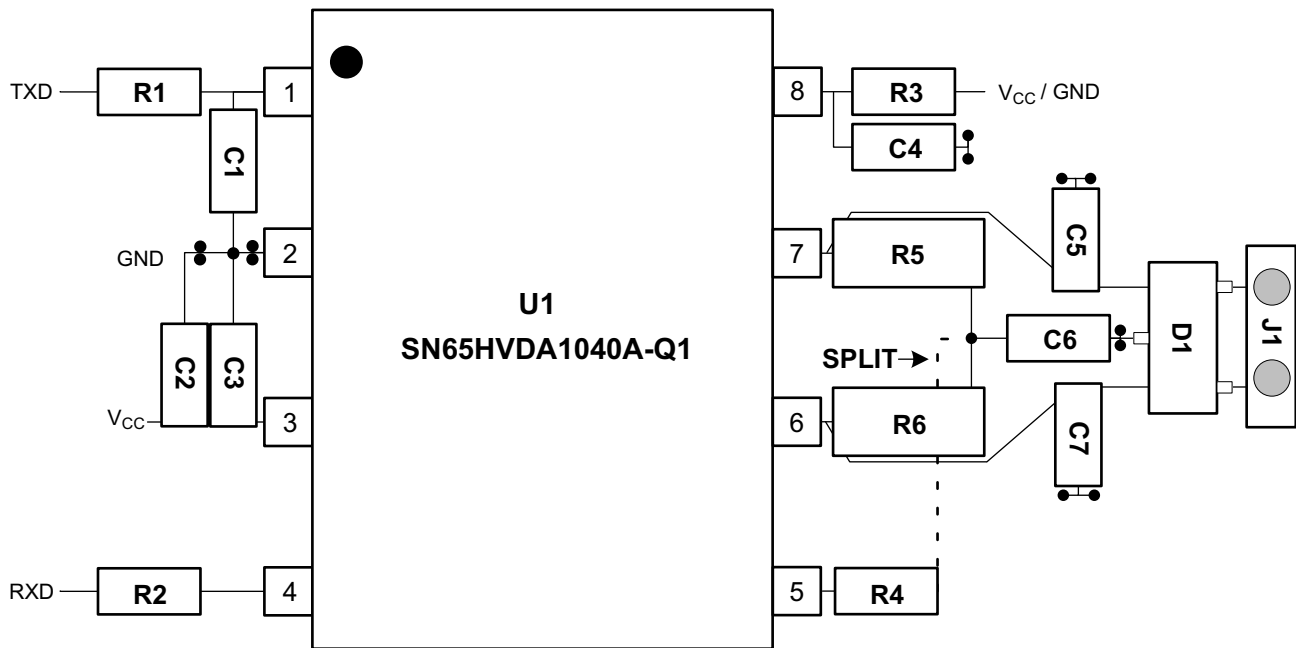


Figure 26. Typical CAN Bus Layout Example

## 12.3 ESD Protection

A typical application that employs a CAN bus network may require some form of ESD, burst, and surge protection to shield the CAN transceiver against unwanted transients that can potentially damage the transceiver. To help shield the SN65HVD1040A-Q1 transceiver against these high-energy transients, transient voltage suppressors can be implemented on the CAN differential bus terminals. These devices help absorb the impact of an ESD, burst, or surge strike.



## 13 Device and Documentation Support

### 13.1 Receiving Notification of Documentation Updates

To receive notification of documentation updates, navigate to the device product folder on ti.com. In the upper right corner, click on *Alert me* to register and receive a weekly digest of any product information that has changed. For change details, review the revision history included in any revised document.

### 13.2 Community Resource

The following links connect to TI community resources. Linked contents are provided "AS IS" by the respective contributors. They do not constitute TI specifications and do not necessarily reflect TI's views; see TI's [Terms of Use](#).

**TI E2E™ Online Community** *TI's Engineer-to-Engineer (E2E) Community*. Created to foster collaboration among engineers. At e2e.ti.com, you can ask questions, share knowledge, explore ideas and help solve problems with fellow engineers.

**Design Support** *TI's Design Support* Quickly find helpful E2E forums along with design support tools and contact information for technical support.

### 13.3 Trademarks

E2E is a trademark of Texas Instruments.  
All other trademarks are the property of their respective owners.

### 13.4 Electrostatic Discharge Caution



This integrated circuit can be damaged by ESD. Texas Instruments recommends that all integrated circuits be handled with appropriate precautions. Failure to observe proper handling and installation procedures can cause damage.

ESD damage can range from subtle performance degradation to complete device failure. Precision integrated circuits may be more susceptible to damage because very small parametric changes could cause the device not to meet its published specifications.

### 13.5 Glossary

[SLYZ022](#) — *TI Glossary*.

This glossary lists and explains terms, acronyms, and definitions.

## 14 Mechanical, Packaging, and Orderable Information

The following pages include mechanical, packaging, and orderable information. This information is the most current data available for the designated devices. This data is subject to change without notice and revision of this document. For browser-based versions of this data sheet, refer to the left-hand navigation.

**PACKAGING INFORMATION**

Orderable Device	Status (1)	Package Type	Package Drawing	Pins	Package Qty	Eco Plan (2)	Lead/Ball Finish (6)	MSL Peak Temp (3)	Op Temp (°C)	Device Marking (4/5)	Samples
SN65HVD1040AQDRQ1	ACTIVE	SOIC	D	8	2500	Green (RoHS & no Sb/Br)	CU NIPDAU	Level-1-260C-UNLIM	-40 to 125	1040AQ	<b>Samples</b>

(1) The marketing status values are defined as follows:

**ACTIVE:** Product device recommended for new designs.

**LIFEBUY:** TI has announced that the device will be discontinued, and a lifetime-buy period is in effect.

**NRND:** Not recommended for new designs. Device is in production to support existing customers, but TI does not recommend using this part in a new design.

**PREVIEW:** Device has been announced but is not in production. Samples may or may not be available.

**OBSOLETE:** TI has discontinued the production of the device.

(2) Eco Plan - The planned eco-friendly classification: Pb-Free (RoHS), Pb-Free (RoHS Exempt), or Green (RoHS & no Sb/Br) - please check <http://www.ti.com/productcontent> for the latest availability information and additional product content details.

**TBD:** The Pb-Free/Green conversion plan has not been defined.

**Pb-Free (RoHS):** TI's terms "Lead-Free" or "Pb-Free" mean semiconductor products that are compatible with the current RoHS requirements for all 6 substances, including the requirement that lead not exceed 0.1% by weight in homogeneous materials. Where designed to be soldered at high temperatures, TI Pb-Free products are suitable for use in specified lead-free processes.

**Pb-Free (RoHS Exempt):** This component has a RoHS exemption for either 1) lead-based flip-chip solder bumps used between the die and package, or 2) lead-based die adhesive used between the die and leadframe. The component is otherwise considered Pb-Free (RoHS compatible) as defined above.

**Green (RoHS & no Sb/Br):** TI defines "Green" to mean Pb-Free (RoHS compatible), and free of Bromine (Br) and Antimony (Sb) based flame retardants (Br or Sb do not exceed 0.1% by weight in homogeneous material)

(3) MSL, Peak Temp. - The Moisture Sensitivity Level rating according to the JEDEC industry standard classifications, and peak solder temperature.

(4) There may be additional marking, which relates to the logo, the lot trace code information, or the environmental category on the device.

(5) Multiple Device Markings will be inside parentheses. Only one Device Marking contained in parentheses and separated by a "~" will appear on a device. If a line is indented then it is a continuation of the previous line and the two combined represent the entire Device Marking for that device.

(6) Lead/Ball Finish - Orderable Devices may have multiple material finish options. Finish options are separated by a vertical ruled line. Lead/Ball Finish values may wrap to two lines if the finish value exceeds the maximum column width.

**Important Information and Disclaimer:** The information provided on this page represents TI's knowledge and belief as of the date that it is provided. TI bases its knowledge and belief on information provided by third parties, and makes no representation or warranty as to the accuracy of such information. Efforts are underway to better integrate information from third parties. TI has taken and continues to take reasonable steps to provide representative and accurate information but may not have conducted destructive testing or chemical analysis on incoming materials and chemicals. TI and TI suppliers consider certain information to be proprietary, and thus CAS numbers and other limited information may not be available for release.

In no event shall TI's liability arising out of such information exceed the total purchase price of the TI part(s) at issue in this document sold by TI to Customer on an annual basis.



## TAPE AND REEL INFORMATION



### QUADRANT ASSIGNMENTS FOR PIN 1 ORIENTATION IN TAPE



\*All dimensions are nominal

Device	Package Type	Package Drawing	Pins	SPQ	Reel Diameter (mm)	Reel Width W1 (mm)	A0 (mm)	B0 (mm)	K0 (mm)	P1 (mm)	W (mm)	Pin1 Quadrant
SN65HVD1040AQDRQ1	SOIC	D	8	2500	330.0	12.4	6.4	5.2	2.1	8.0	12.0	Q1

TAPE AND REEL BOX DIMENSIONS



\*All dimensions are nominal

Device	Package Type	Package Drawing	Pins	SPQ	Length (mm)	Width (mm)	Height (mm)
SN65HVD1040AQDRQ1	SOIC	D	8	2500	367.0	367.0	35.0

D (R-PDSO-G8)

PLASTIC SMALL OUTLINE



- NOTES:
- A. All linear dimensions are in inches (millimeters).
  - B. This drawing is subject to change without notice.
  - $\triangle C$  Body length does not include mold flash, protrusions, or gate burrs. Mold flash, protrusions, or gate burrs shall not exceed 0.006 (0,15) each side.
  - $\triangle D$  Body width does not include interlead flash. Interlead flash shall not exceed 0.017 (0,43) each side.
  - E. Reference JEDEC MS-012 variation AA.

D (R-PDSO-G8)

PLASTIC SMALL OUTLINE



4211283-2/E 08/12

- NOTES:
- A. All linear dimensions are in millimeters.
  - B. This drawing is subject to change without notice.
  - C. Publication IPC-7351 is recommended for alternate designs.
  - D. Laser cutting apertures with trapezoidal walls and also rounding corners will offer better paste release. Customers should contact their board assembly site for stencil design recommendations. Refer to IPC-7525 for other stencil recommendations.
  - E. Customers should contact their board fabrication site for solder mask tolerances between and around signal pads.

## IMPORTANT NOTICE

Texas Instruments Incorporated and its subsidiaries (TI) reserve the right to make corrections, enhancements, improvements and other changes to its semiconductor products and services per JESD46, latest issue, and to discontinue any product or service per JESD48, latest issue. Buyers should obtain the latest relevant information before placing orders and should verify that such information is current and complete. All semiconductor products (also referred to herein as "components") are sold subject to TI's terms and conditions of sale supplied at the time of order acknowledgment.

TI warrants performance of its components to the specifications applicable at the time of sale, in accordance with the warranty in TI's terms and conditions of sale of semiconductor products. Testing and other quality control techniques are used to the extent TI deems necessary to support this warranty. Except where mandated by applicable law, testing of all parameters of each component is not necessarily performed.

TI assumes no liability for applications assistance or the design of Buyers' products. Buyers are responsible for their products and applications using TI components. To minimize the risks associated with Buyers' products and applications, Buyers should provide adequate design and operating safeguards.

TI does not warrant or represent that any license, either express or implied, is granted under any patent right, copyright, mask work right, or other intellectual property right relating to any combination, machine, or process in which TI components or services are used. Information published by TI regarding third-party products or services does not constitute a license to use such products or services or a warranty or endorsement thereof. Use of such information may require a license from a third party under the patents or other intellectual property of the third party, or a license from TI under the patents or other intellectual property of TI.

Reproduction of significant portions of TI information in TI data books or data sheets is permissible only if reproduction is without alteration and is accompanied by all associated warranties, conditions, limitations, and notices. TI is not responsible or liable for such altered documentation. Information of third parties may be subject to additional restrictions.

Resale of TI components or services with statements different from or beyond the parameters stated by TI for that component or service voids all express and any implied warranties for the associated TI component or service and is an unfair and deceptive business practice. TI is not responsible or liable for any such statements.

Buyer acknowledges and agrees that it is solely responsible for compliance with all legal, regulatory and safety-related requirements concerning its products, and any use of TI components in its applications, notwithstanding any applications-related information or support that may be provided by TI. Buyer represents and agrees that it has all the necessary expertise to create and implement safeguards which anticipate dangerous consequences of failures, monitor failures and their consequences, lessen the likelihood of failures that might cause harm and take appropriate remedial actions. Buyer will fully indemnify TI and its representatives against any damages arising out of the use of any TI components in safety-critical applications.

In some cases, TI components may be promoted specifically to facilitate safety-related applications. With such components, TI's goal is to help enable customers to design and create their own end-product solutions that meet applicable functional safety standards and requirements. Nonetheless, such components are subject to these terms.

No TI components are authorized for use in FDA Class III (or similar life-critical medical equipment) unless authorized officers of the parties have executed a special agreement specifically governing such use.

Only those TI components which TI has specifically designated as military grade or "enhanced plastic" are designed and intended for use in military/aerospace applications or environments. Buyer acknowledges and agrees that any military or aerospace use of TI components which have **not** been so designated is solely at the Buyer's risk, and that Buyer is solely responsible for compliance with all legal and regulatory requirements in connection with such use.

TI has specifically designated certain components as meeting ISO/TS16949 requirements, mainly for automotive use. In any case of use of non-designated products, TI will not be responsible for any failure to meet ISO/TS16949.

### Products

Audio	<a href="http://www.ti.com/audio">www.ti.com/audio</a>
Amplifiers	<a href="http://amplifier.ti.com">amplifier.ti.com</a>
Data Converters	<a href="http://dataconverter.ti.com">dataconverter.ti.com</a>
DLP® Products	<a href="http://www.dlp.com">www.dlp.com</a>
DSP	<a href="http://dsp.ti.com">dsp.ti.com</a>
Clocks and Timers	<a href="http://www.ti.com/clocks">www.ti.com/clocks</a>
Interface	<a href="http://interface.ti.com">interface.ti.com</a>
Logic	<a href="http://logic.ti.com">logic.ti.com</a>
Power Mgmt	<a href="http://power.ti.com">power.ti.com</a>
Microcontrollers	<a href="http://microcontroller.ti.com">microcontroller.ti.com</a>
RFID	<a href="http://www.ti-rfid.com">www.ti-rfid.com</a>
OMAP Applications Processors	<a href="http://www.ti.com/omap">www.ti.com/omap</a>
Wireless Connectivity	<a href="http://www.ti.com/wirelessconnectivity">www.ti.com/wirelessconnectivity</a>

### Applications

Automotive and Transportation	<a href="http://www.ti.com/automotive">www.ti.com/automotive</a>
Communications and Telecom	<a href="http://www.ti.com/communications">www.ti.com/communications</a>
Computers and Peripherals	<a href="http://www.ti.com/computers">www.ti.com/computers</a>
Consumer Electronics	<a href="http://www.ti.com/consumer-apps">www.ti.com/consumer-apps</a>
Energy and Lighting	<a href="http://www.ti.com/energy">www.ti.com/energy</a>
Industrial	<a href="http://www.ti.com/industrial">www.ti.com/industrial</a>
Medical	<a href="http://www.ti.com/medical">www.ti.com/medical</a>
Security	<a href="http://www.ti.com/security">www.ti.com/security</a>
Space, Avionics and Defense	<a href="http://www.ti.com/space-avionics-defense">www.ti.com/space-avionics-defense</a>
Video and Imaging	<a href="http://www.ti.com/video">www.ti.com/video</a>

### TI E2E Community

[e2e.ti.com](http://e2e.ti.com)