

## IP67 Connectors: GM67X-S Series Box Side, IP67 Panel Mount Jack with Shielded Jack

(Must Be Used with GM67X Series Cable Side Part)

### Product Features

- IP67
- Panel Mount
- Shielded Jack Termination
- Optional Cap Available

### Performance Specifications

#### Materials and Finish

##### Housing Material

Polycarbonate, UL 94V-0 Rated, Black Color

##### Contact Material

Phosphor Bronze

##### Nut Material

Polycarbonate, UL 94V-0 Rated, Black Color

##### Gasket Material

Silicone, UL 94HB Rated, Red Color

### Electrical Characteristics

#### Insulation Resistance

500 Megohms Min.

#### Dielectric Withstanding Voltage

1000V AC RMS for 1 Minute

#### Contact Resistance

90 milliohms Max.

#### Current Rating

1.5A

#### Voltage Rating

125V DC

**Durability** 1000 Mating Cycles Min.

#### Operating Temperature

-40°C to +80°C

### Note

\*Must be used with GM67X series cable side part

2D Drawing	IGES	STEP	3D PDF
Solder Profile	CofC RoHS Compliant	CofC REACH Compliant	UL Plastic File
Certificate of Origin	Check Stock	Request a Sample	Send Us An Email

### Generated Part Number

### Part Number Builder

<input type="text"/>	-	<input type="text"/>	<input type="text"/>	<input type="text"/>
Series		No. of Positions	No. of Contacts	Plating Option

#### Series

GM67X-S - Panel Mount IP67 Modular Jack with Cable and plug

#### Number of Positions/Contacts

88 - 8 Positions / 8 Contacts

#### Plating Option

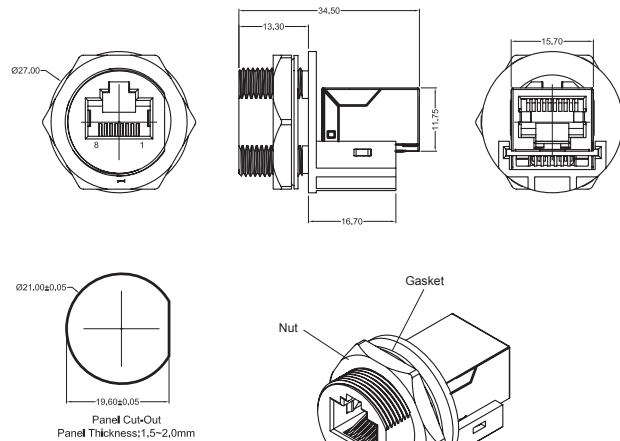
Blank - Gold Flash

50 - 50µ" Gold Plating

Contact Kycon For Other Option

### GM67X-S Series

Dimensions in mm



\*Kit includes jack, nut, and gasket  
Recommended Nut Torque: 12 Kgf-cm

[Click here for our assembly videos](#)

# Mouser Electronics

Authorized Distributor

Click to View Pricing, Inventory, Delivery & Lifecycle Information:

[Kycon:](#)

[GM67X-S-88](#)