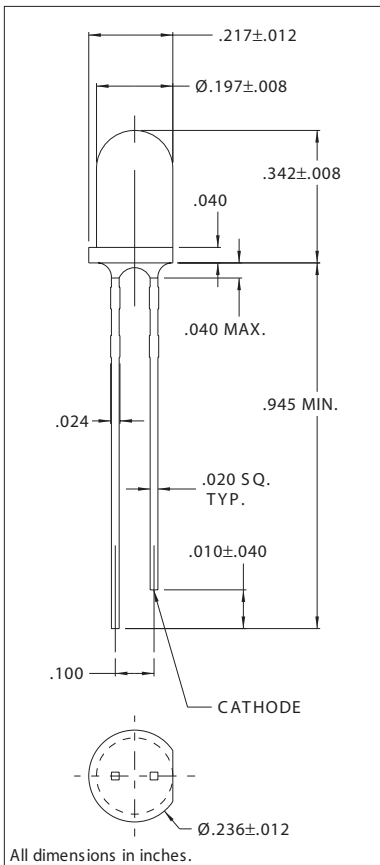


## 4305H Solid State LED Lamps-Ultra Brite 120 mcd T-1 3/4 (5mm)

### Description and Features



- T-1 3/4 Ultra Brite LEDs
- Narrow beam viewing angle
  - High-intensity light output

## Electro-Optical Characteristics and Ratings

PART NUMBER	4305H1	4305H5	4305H7
Output Color	Red	Green	Yellow
Diffusion	Non-Diffused	Non-Diffused	Non-Diffused
Package Color	Red	Green	Yellow
Test Current (mA)	20	20	20
Forward Voltage Typ. (V)	2.1	2.2	2.2
Forward Voltage Max. (V)	3.0	3.0	3.0
Luminous Intensity Min. (mcd)	20	30	56
Luminous Intensity Typ. (mcd)	68	100	160
Capacitance @ V=0	45	20	45
Peak Wavelength (nm)	650	563	585
Viewing Angle 2θ 1/2 (degrees)	30	30	30
Power Dissipation (mW)	75	75	75
Reverse Breakdown Voltage Min. (V)	5	5	5

# Mouser Electronics

Authorized Distributor

Click to View Pricing, Inventory, Delivery & Lifecycle Information:

VCC:

[4305H1](#) [4305H7](#) [4305H5](#)