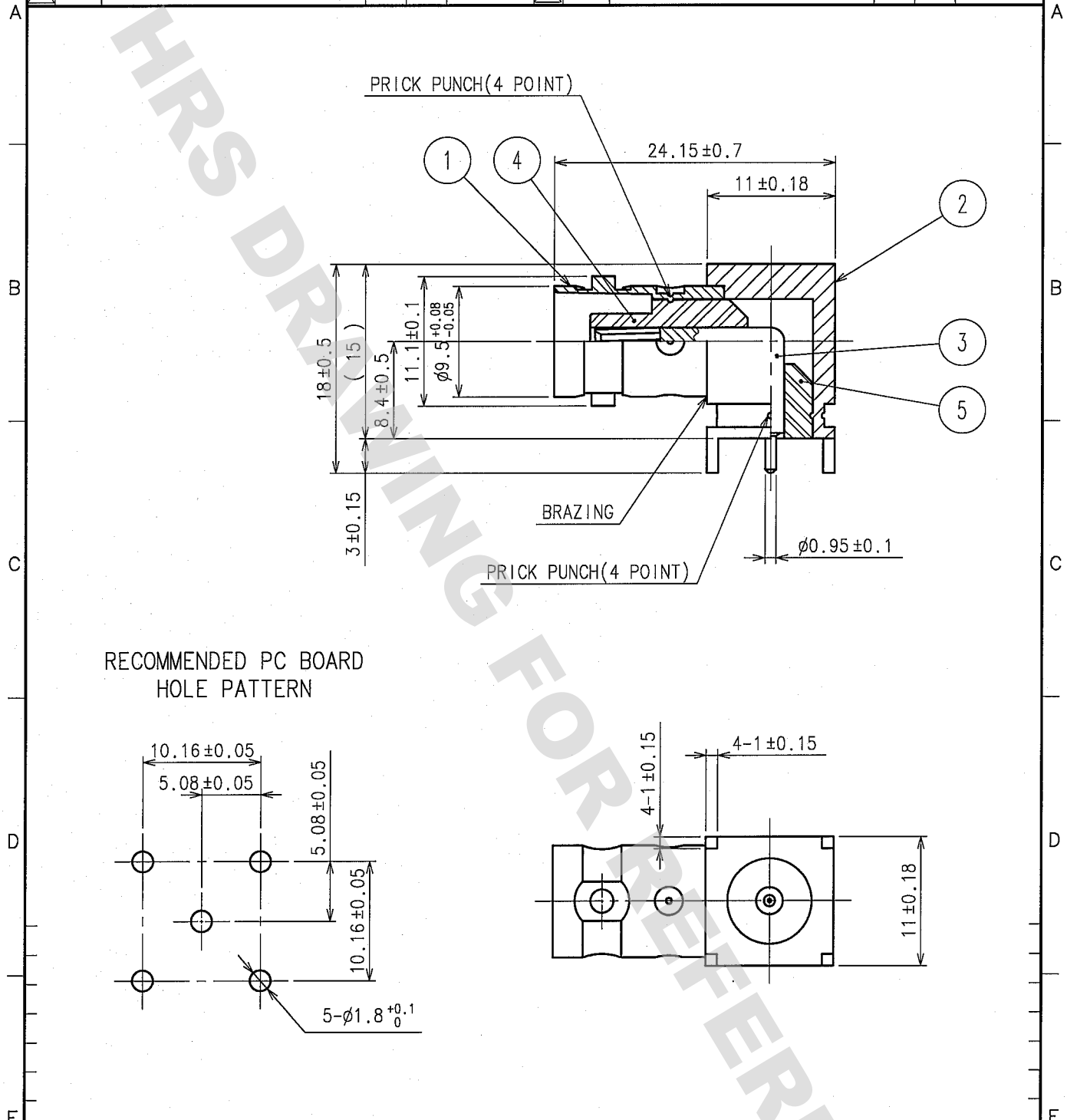


DRAWING FOR REFERENCE: This is subject to change without notice
08/11/2012

1	2				3				4					
COUNT	DESCRIPTION OF REVISIONS	BY	CHKD	DATE	COUNT	DESCRIPTION OF REVISIONS	BY	CHKD	DATE	COUNT	DESCRIPTION OF REVISIONS	BY	CHKD	DATE
△					△					△				
△					△					△				
△					△					△				



3	BERYLLIUM COPPER	SILVER PLATING				
2	BRASS	NICKEL PLATING	5	PTFE		
1	BRASS	NICKEL PLATING	4	PTFE		
NO.	MATERIAL	FINISH, REMARKS	NO.	MATERIAL	FINISH, REMARKS	

CODE NO. (OLD) CL		DRAWN Y. Sugiyama '05.11.04	DESIGNED T. Katayama '05.11.04	CHECKED H. Shimizu '05.11.09	APPROVED I. Mitani '05.11.11	RELEASED
RoHS COMPLIANT						
DRAWING NO. EDC4-022246-40		PART NO. BNC-LR-PC-1(40)				
SACLE 2 : 1		CODE NO. CL302-0262-4-40				1/1
UNITS mm		HRS HIROSE ELECTRIC CO., LTD.				

TO
RF



Mouser Electronics

Authorized Distributor

Click to View Pricing, Inventory, Delivery & Lifecycle Information:

[Hirose Electric:](#)

[BNC-LR-PC-1\(40\)](#)