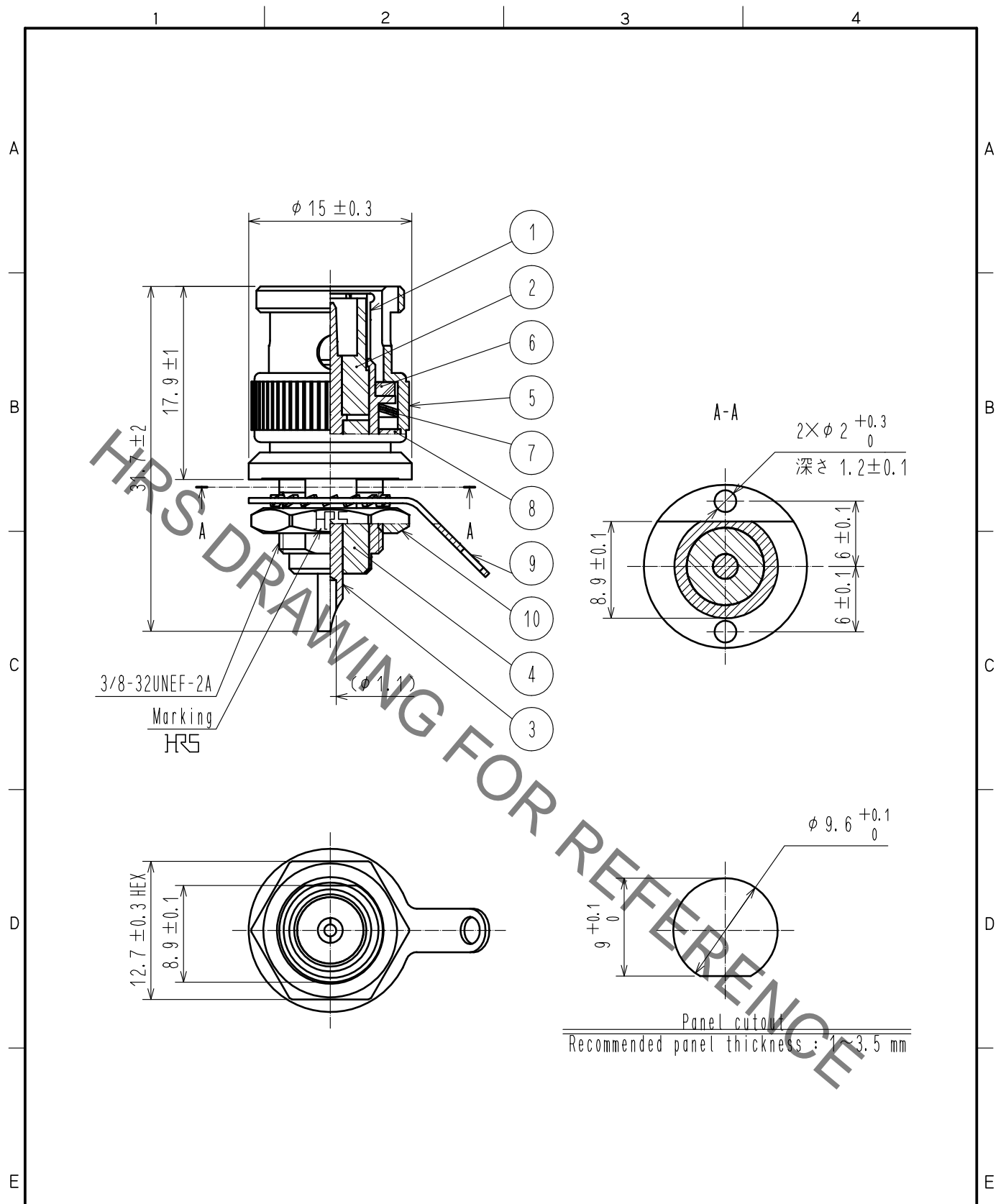


Sep. 1. 2020 Copyright 2020 HIROSE ELECTRIC CO., LTD. All Rights Reserved.  
 In case of consideration for using Automotive equipment / device which demand high reliability, kindly contact our sales window correspondents.



5	BRASS	NICKEL PLATING	10	BRASS	NICKEL PLATING		
4	PTFE		9	PHOSPHOR BRONZE	NICKEL PLATING		
3	BRASS	GOLD PLATING	8	BRASS	NICKEL PLATING		
2	PTFE		7	BERYLLIUM COPPER	SILVER PLATING		
1	BRASS	NICKEL PLATING	6	SILICONE RUBBER			
NO.	MATERIAL	FINISH . REMARKS	NO.	MATERIAL	FINISH . REMARKS		
UNITS mm		SCALE 2 : 1	COUNT 	DESCRIPTION OF REVISIONS	DESIGNED	CHECKED	DATE
HIROSE ELECTRIC CO., LTD.		APPROVED : TO. KATAYAMA	20190717	DRAWING NO.	EDC-009461-40-00		
		CHECKED : TO. KATAYAMA	20190717	PART NO.	BNC-BPR-3(40)		
		DESIGNED : NK. OOSAWA	20190717	CODE NO.	CL302-0249-6-40		
		DRAWN : NK. OOSAWA	20190717				

# Mouser Electronics

Authorized Distributor

Click to View Pricing, Inventory, Delivery & Lifecycle Information:

[Hirose Electric:](#)

[BNC-BPR-3\(40\)](#)