

| REVISIONS |      |              |            |
|-----------|------|--------------|------------|
| SYM       | ZONE | ECN, ERN NO. | DATE       |
| E         |      | UPDATED      | 2006/02/07 |
| F         |      | UPDATED      | JAN29/08   |
| G         |      | UPDATED      | AUG03/08   |

THIS IS A CAD DRAWING. DO NOT MANUALLY REVISE.

PART NUMBER  
(P/N DOES NOT  
INCLUDING PACKAGING TYPE  
AND DUST COVER OPTION)

DATE CODE

MATERIAL (RoHS COMPLIANCE):

CAGE:  
COPPER ALLOY

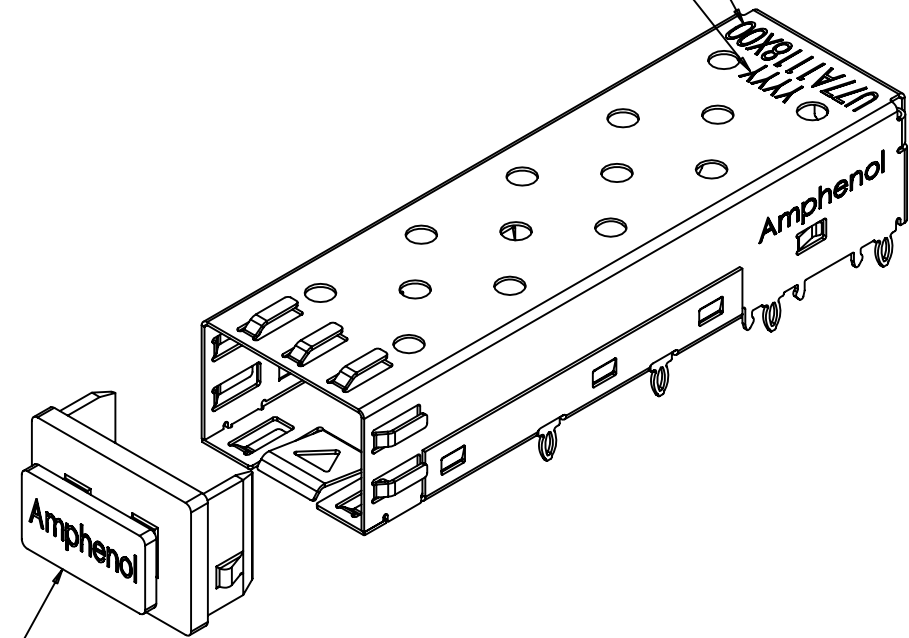
PLATING OPTION 1:  
100µ" [2.54 µm] MIN. TIN  
PLATING OVER 50 µ" (1.27 µm)  
MIN. NICKEL UNDER PLATING.

PLATING OPTION 2:  
100µ" [2.54 µm] MIN. NICKEL  
PLATING (NOT FOR SOLDER PINS).

DUST COVER  
THERMOPLASTIC, COLOR BLACK.

PACKAGING:  
TAPE AND REEL OR TRAY PACKAGING.

TEMPERATURE RANGE:  
-40°C TO +85°C



OPTIONAL DUST COVER  
(SHIP LOOSE)  
P/N U77-A1110-8000-P

AMPHENOL PART NUMBER CONFIGURATION

U77 - A 1 1 1 8 - X X 0 X

- PACKAGING
  - 1 = TRAY PACKAGING
  - T = TAPE & REEL PACKAGING
- OPTIONAL DUST COVER
  - 0 = NO DUST COVER
  - D = WITH DUST COVER (SHIP LOOSE)
- PLATING
  - 1 = TIN PLATING
  - 2 = NICKEL PLATING



|                   |              |      |            |
|-------------------|--------------|------|------------|
| DRAWN             | J.SI         | DATE | 2005/03/08 |
| DESIGNED          | J.SI         | DATE | 2005/03/08 |
| CHECKED           | X            |      |            |
| DWG. APPRD.       |              |      |            |
| ENG. REL. NO.     |              |      |            |
| REF.              | X            |      |            |
| DIMENSIONS ARE IN | CODE ID. NO. |      |            |
| INCHES [mm]       | 03554        |      |            |

Amphenol Canada Corp.

TITLE  
SFP SINGLE CAGE  
WITH 8 PRESS FIT / 12 EMI PINS

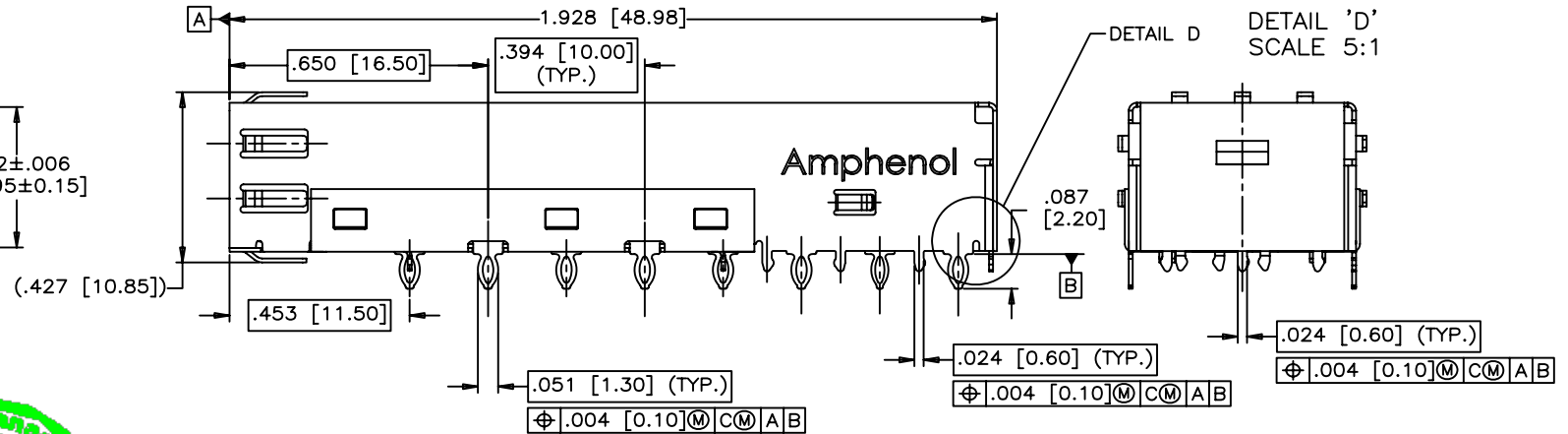
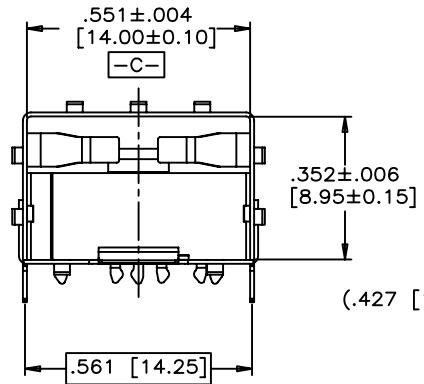
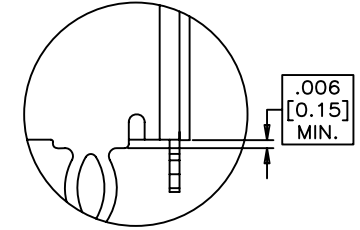
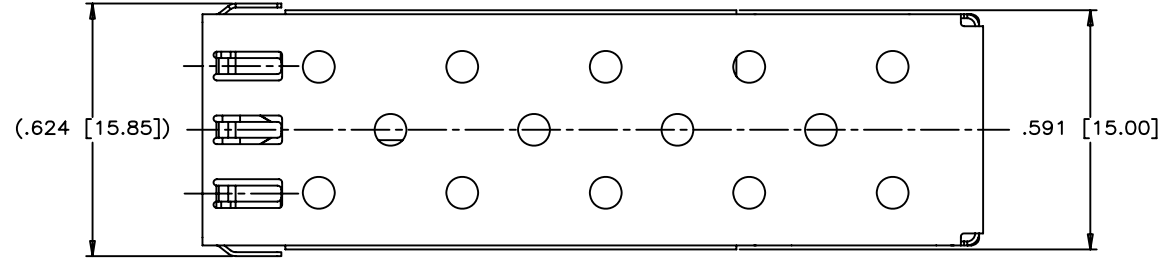
DWG. A DRAWING NO. P-U77-A1118-XXOX REV. G

SCALE 2:1 WT. SURF. SHEET 1 OF 5

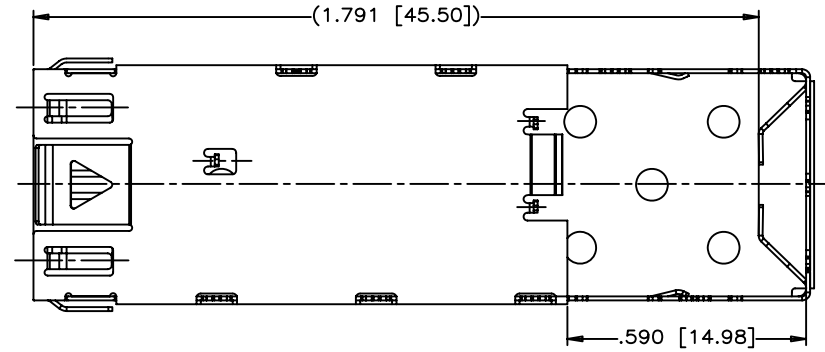
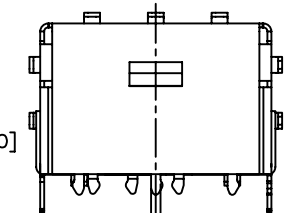
THIS DOCUMENT CONTAINS PROPRIETARY INFORMATION AND SUCH INFORMATION  
MAY NOT BE DISCLOSED TO OTHERS FOR ANY PURPOSE OR USED FOR MANUFACTURING  
PURPOSES WITHOUT WRITTEN PERMISSION FROM AMPHENOL CANADA CORP.

| REVISIONS |      |              |            |        |
|-----------|------|--------------|------------|--------|
| SYM       | ZONE | ECN, ERN NO. | DATE       | APPRD. |
| E         |      | UPDATED      | 2006/02/07 |        |
| F         |      | UPDATED      | JAN29/08   |        |
| G         |      | UPDATED      | AUG03/08   |        |

THIS IS A CAD DRAWING. DO NOT MANUALLY REVISE.



DETAIL 'D'  
SCALE 5:1



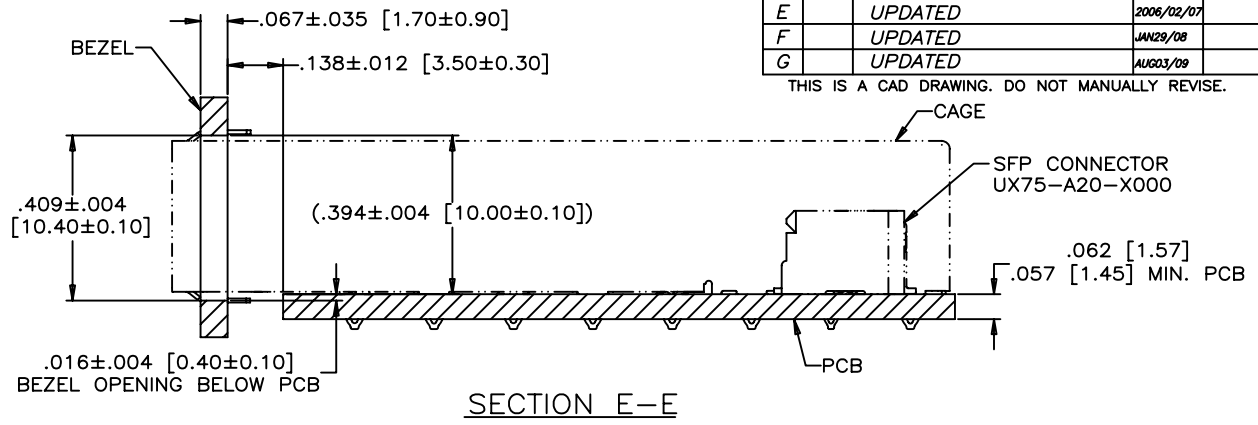
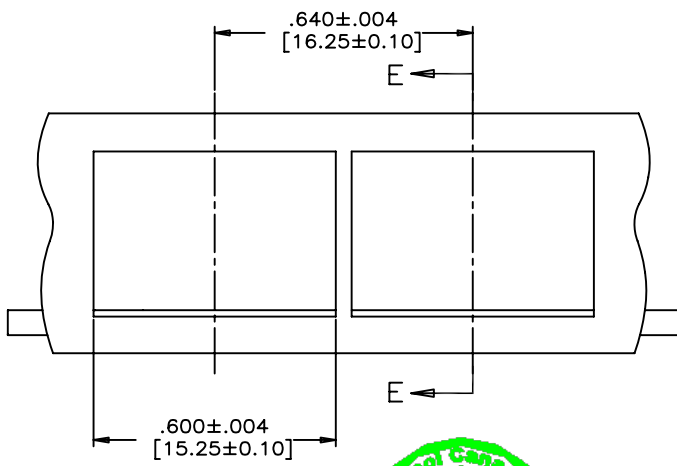
|                   |             |      |            |
|-------------------|-------------|------|------------|
| DRAWN             | J.SI        | DATE | 2005/03/08 |
| DESIGNED          | J.SI        | DATE | 2005/03/08 |
| CHECKED           | X           |      |            |
| DWG. APPRD.       |             |      |            |
| ENG. REL. NO.     |             |      |            |
| REF.              | X           |      |            |
| DIMENSIONS ARE IN | CODE ID. NO |      |            |
| INCHES [mm]       | 03554       |      |            |

|   |                  |       |        |
|---|------------------|-------|--------|
| Amphenol Canada Corp.                             |                  |       |        |
| TITLE   |                  |       |        |
| SFP SINGLE CAGE<br>WITH 8 PRESS FIT / 12 EMI PINS |                  |       |        |
| DWG   | DRAWING NO.      | REV.  |        |
| A   | P-U77-A1118-XX0X | G     |        |
| SCALE   | 2:1              | WT.   |        |
| SURF.   |                  | SHEET | 2 OF 5 |

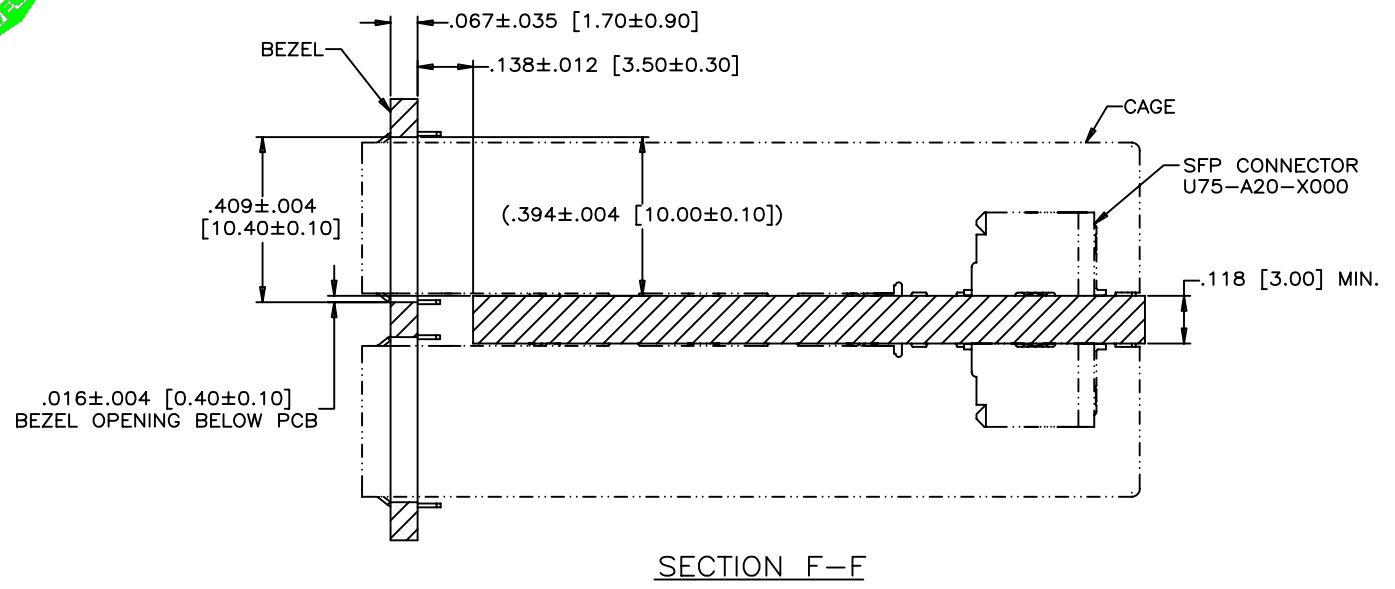
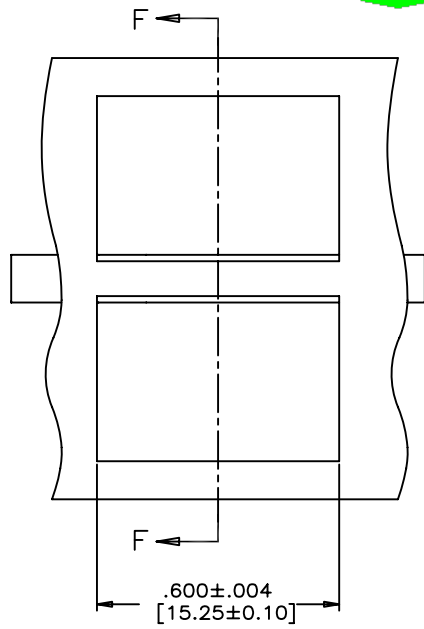
THIS DOCUMENT CONTAINS PROPRIETARY INFORMATION AND SUCH INFORMATION MAY NOT BE DISCLOSED TO OTHERS FOR ANY PURPOSE OR USED FOR MANUFACTURING PURPOSES WITHOUT WRITTEN PERMISSION FROM AMPHENOL CANADA CORP.

| REVISIONS |      |              |            |        |
|-----------|------|--------------|------------|--------|
| SYM       | ZONE | ECN, ERN NO. | DATE       | APPRD. |
| E         |      | UPDATED      | 2006/02/07 |        |
| F         |      | UPDATED      | JAN29/08   |        |
| G         |      | UPDATED      | AUG03/09   |        |

THIS IS A CAD DRAWING. DO NOT MANUALLY REVISE.



RECOMMENDED BEZEL DESIGN  
(ONE SIDE CAGE MOUNTING)



RECOMMENDED BEZEL DESIGN  
(BELLY TO BELLY CAGE MOUNTING)

|                   |             |              |            |
|-------------------|-------------|--------------|------------|
| DRAWN             | J.SJ        | DATE         | 2005/03/08 |
| DESIGNED          | J.SJ        | DATE         | 2005/03/08 |
| CHECKED           | X           |              |            |
| DWG. APPRD.       |             |              |            |
| ENG. REL. NO.     |             |              |            |
| REF.              | X           |              |            |
| DIMENSIONS ARE IN | INCHES [mm] | CODE ID. NO. | 03554      |

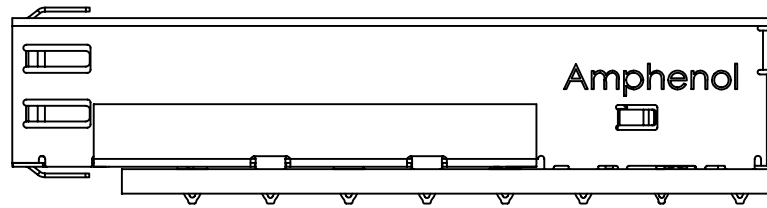
|   |          |                  |              |
|---|----------|------------------|--------------|
| Amphenol Canada Corp.                             |          |                  |              |
| TITLE   |          |                  |              |
| SFP SINGLE CAGE<br>WITH 8 PRESS FIT / 12 EMI PINS |          |                  |              |
| DWG. APPRD.                                       | DWG. NO. | DRAWING NO.      | REV.         |
|   | A        | P-U77-A1118-XX0X | G            |
| SCALE   | 2:1      | WT.              | SURF.        |
|   |          |                  | SHEET 3 OF 5 |

THIS DOCUMENT CONTAINS PROPRIETARY INFORMATION AND SUCH INFORMATION MAY NOT BE DISCLOSED TO OTHERS FOR ANY PURPOSE OR USED FOR MANUFACTURING PURPOSES WITHOUT WRITTEN PERMISSION FROM AMPHENOL CANADA CORP.

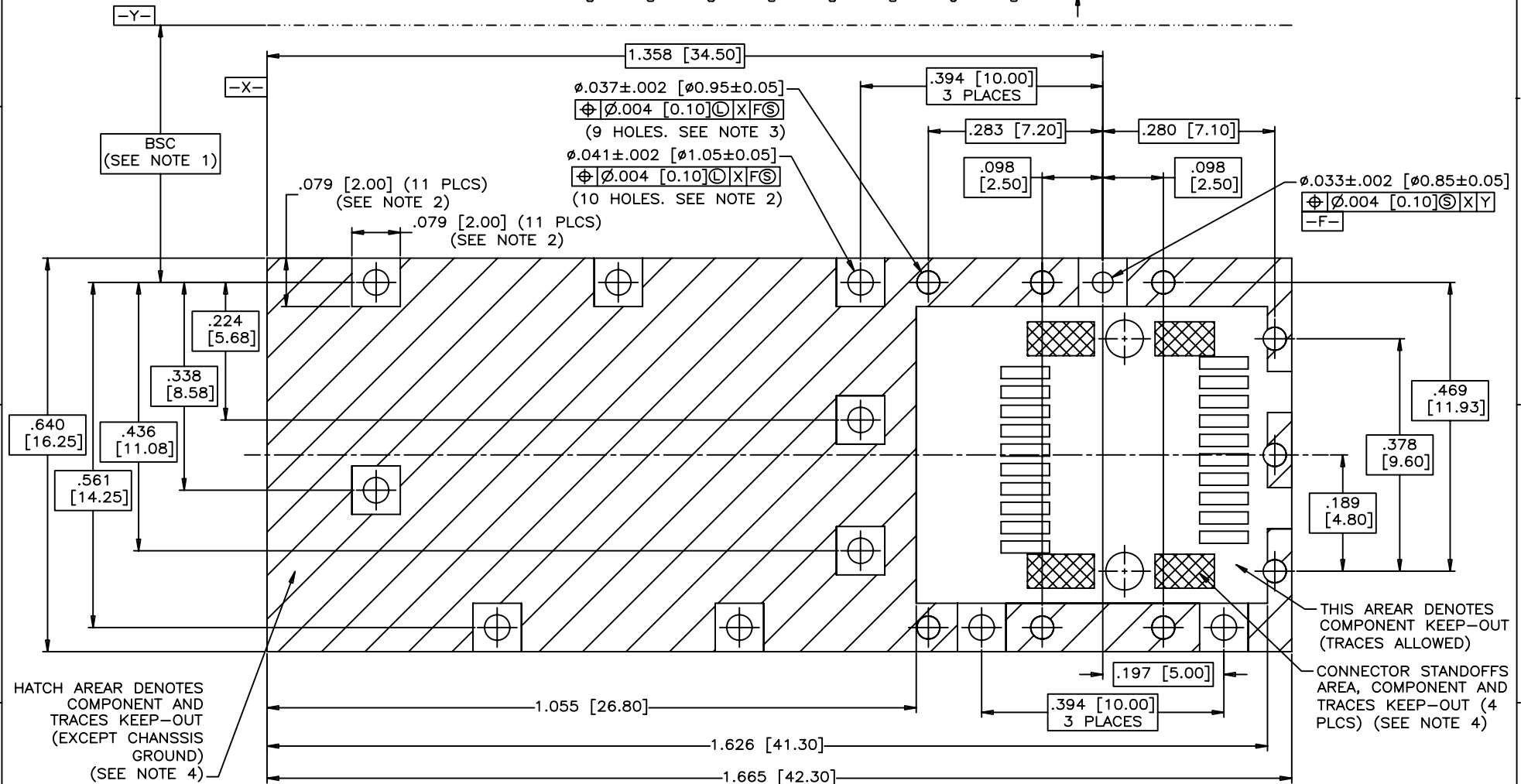
- NOTES:
1. DATUM AND BASIC DIMENTIONS ESTABLISHED BY CUSTOMER
  2. PADS AND VIAS ARE CHASSIS GROUND, 11 PLACES.
  3. THRU HOLES, PLATING OPTIONAL.
  4. SEE DRAWINGS P-U75-A20-X000X FOR CONNECTOR PCB LAYOUT.

| REVISIONS |      |              |            |        |
|-----------|------|--------------|------------|--------|
| SYM       | ZONE | ECN, ERN NO. | DATE       | APPRD. |
| E         |      | UPDATED      | 2006/02/07 |        |
| F         |      | UPDATED      | JAN29/08   |        |
| G         |      | UPDATED      | AUG03/09   |        |

THIS IS A CAD DRAWING. DO NOT MANUALLY REVISE.



.062 [1.57]  
.057 [1.45] MIN. PCB



RECOMMENDED SFP HOST BOARD LAYOUT  
(ONE SIDE CAGE MOUNTING)  
(SCALE 4:1)

|                   |             |              |            |
|-------------------|-------------|--------------|------------|
| DRAWN             | J.SI        | DATE         | 2005/03/08 |
| DESIGNED          | J.SI        | DATE         | 2005/03/08 |
| CHECKED           | X           |              |            |
| DWG. APPRD.       |             |              |            |
| ENG. REL. NO.     |             |              |            |
| REF.              | X           |              |            |
| DIMENSIONS ARE IN | INCHES [mm] | CODE ID. NO. | 03554      |

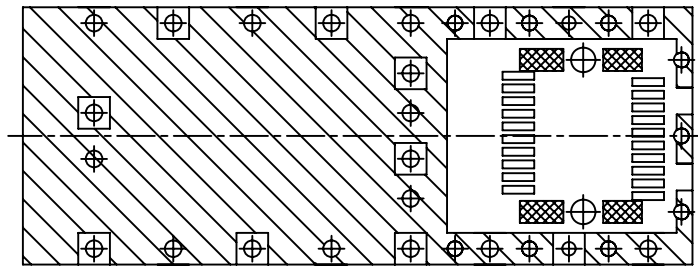
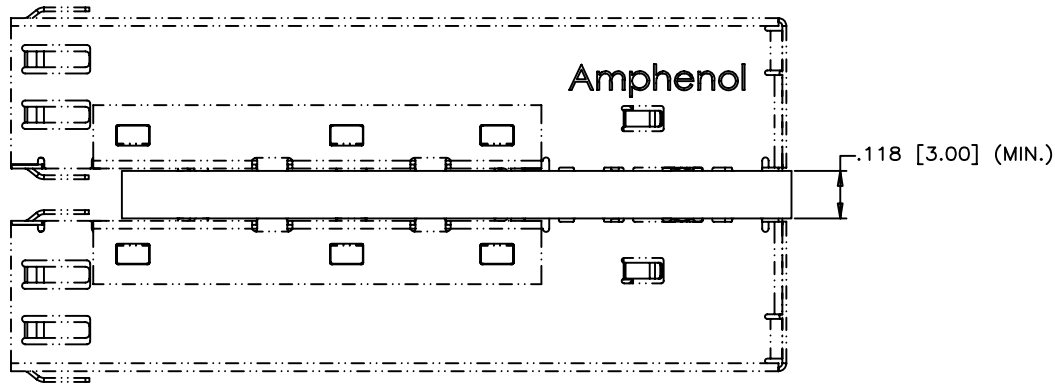
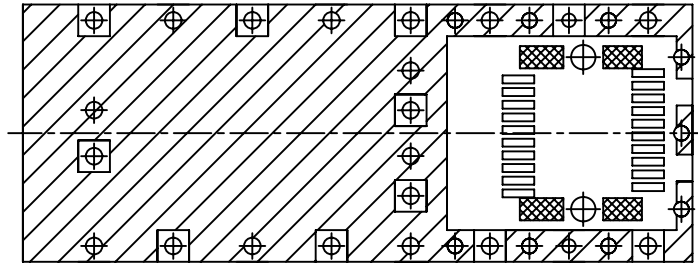
Amphenol Canada Corp.

|              |   |                  |        |
|--------------|---|------------------|--------|
| TITLE        | SFP SINGLE CAGE<br>WITH 8 PRESS FIT / 12 EMI PINS |                  |        |
| DWG. A       | DRAWING NO.                                       | P-U77-A1118-XX0X | REV. G |
| SCALE        | 2:1   | WT.              | SURF.  |
| SHEET 4 OF 5 |   |                  |        |

THIS DOCUMENT CONTAINS PROPRIETARY INFORMATION AND SUCH INFORMATION MAY NOT BE DISCLOSED TO OTHERS FOR ANY PURPOSE OR USED FOR MANUFACTURING PURPOSES WITHOUT WRITTEN PERMISSION FROM AMPHENOL CANADA CORP.

| REVISIONS |      |              |            |        |
|-----------|------|--------------|------------|--------|
| SYM       | ZONE | ECN, ERN NO. | DATE       | APPRD. |
| E         |      | UPDATED      | 2006/02/07 |        |
| F         |      | UPDATED      | JAN28/08   |        |
| G         |      | UPDATED      | AUG03/09   |        |

THIS IS A CAD DRAWING. DO NOT MANUALLY REVISE.



**RECOMMENDED SFP HOST BOARD LAYOUT  
(BELLY TO BELLY CAGE MOUNTING)**

|                   |             |              |            |
|-------------------|-------------|--------------|------------|
| DRAWN             | J.SI        | DATE         | 2005/03/08 |
| DESIGNED          | J.SI        | DATE         | 2005/03/08 |
| CHECKED           | X           |              |            |
| DWG. APPRD.       |             |              |            |
| ENG. REL. NO.     |             |              |            |
| REF.              | X           |              |            |
| DIMENSIONS ARE IN | INCHES [mm] | CODE ID. NO. | 03554      |

**Amphenol Canada Corp.**

TITLE  
SFP SINGLE CAGE  
WITH 8 PRESS FIT / 12 EMI PINS

DWG. A DRAWING NO. P-U77-A1118-XX0X REV. G

SCALE 2:1 WT. \_\_\_\_\_ SURF. \_\_\_\_\_ SHEET 5 OF 5

THIS DOCUMENT CONTAINS PROPRIETARY INFORMATION AND SUCH INFORMATION MAY NOT BE DISCLOSED TO OTHERS FOR ANY PURPOSE OR USED FOR MANUFACTURING PURPOSES WITHOUT WRITTEN PERMISSION FROM AMPHENOL CANADA CORP.

# Mouser Electronics

Authorized Distributor

Click to View Pricing, Inventory, Delivery & Lifecycle Information:

[Amphenol:](#)

[U77-A1118-200T](#) [U77A11182001](#) [U77A11181001](#) [U77A11181D01](#)