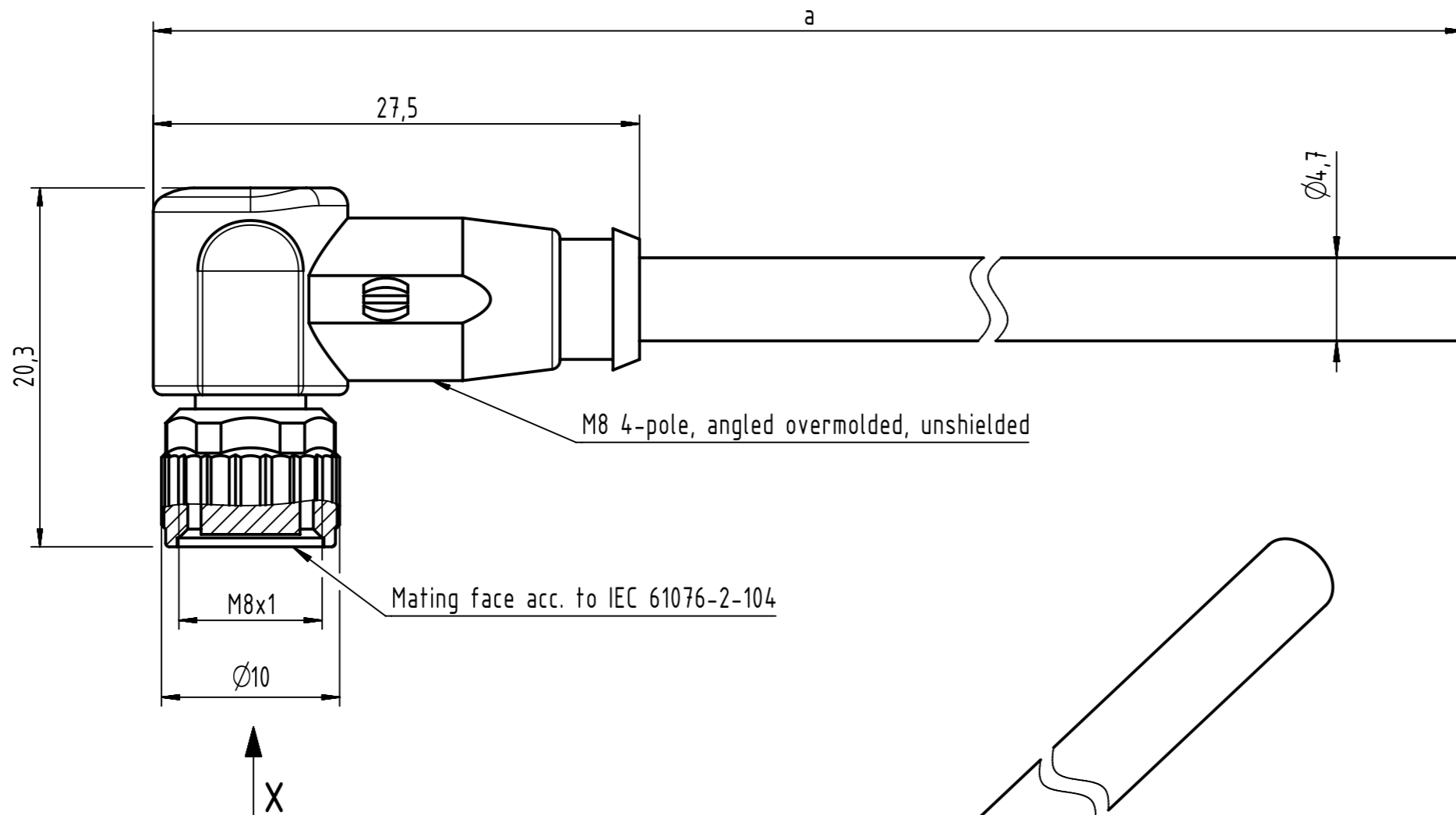


Connector Location A

Connector Location B



M8 4-pole, angled overmolded, unshielded

Mating face acc. to IEC 61076-2-104

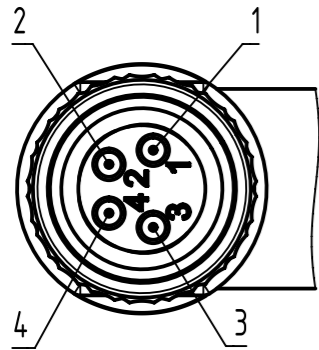
M8x1

Ø10

X

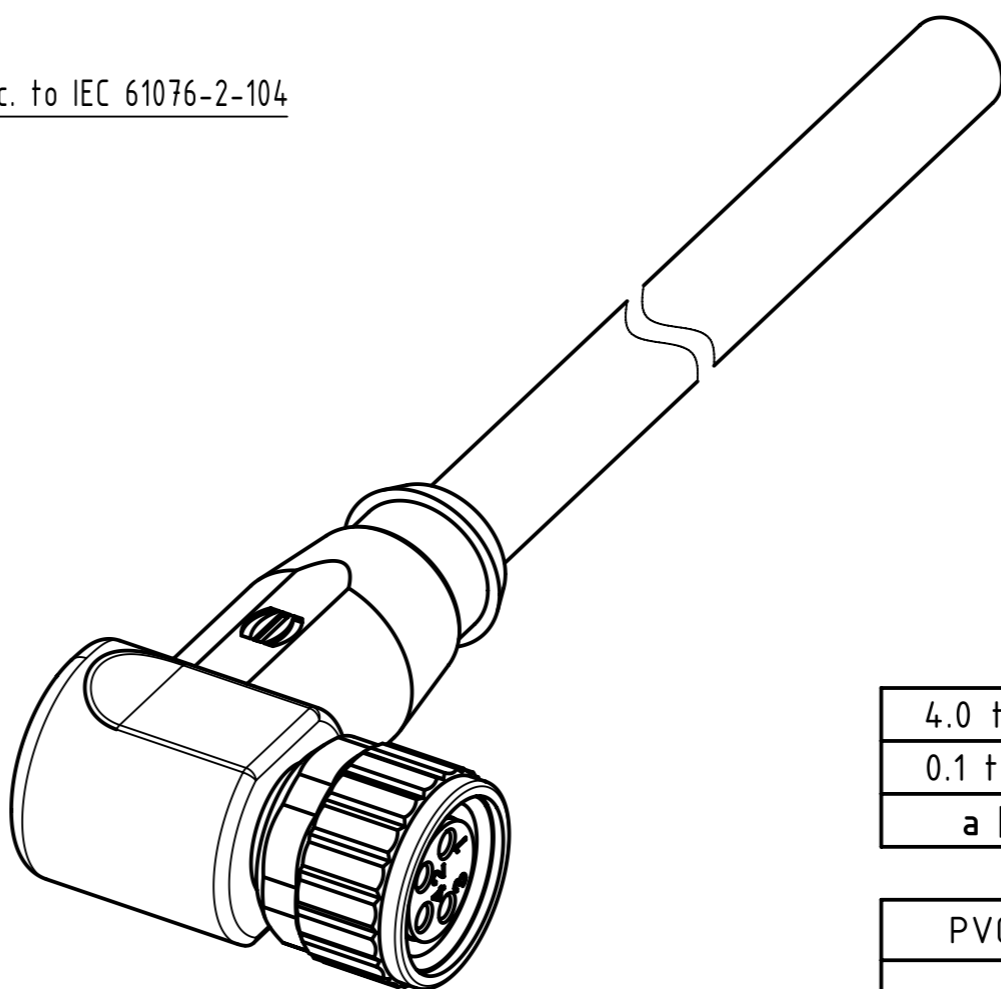
X female

Loading-Plan



- 1 brown
- 2 white
- 3 blue
- 4 black

- Protection level: IP67
 - Temperature range: -25°C ... +80°C



| | |
|------------|-----------|
| 4.0 to 40 | ±1% |
| 0.1 to 3.9 | +0.04 |
| a [m] | Tolerance |

| | | |
|-----------------------|-------|---------|
| length in "1m" step | 40 | XXX=400 |
| | 39 | XXX=390 |
| | . | . |
| | 12 | XXX=120 |
| length in "0.1m" step | 11 | XXX=110 |
| | 10 | XXX=100 |
| | 9.9 | XXX=099 |
| | 9.8 | XXX=098 |
| | . | . |
| | 0.4 | XXX=004 |
| | 0.3 | XXX=003 |
| | 0.2 | XXX=002 |
| | 0.1 | XXX=001 |
| Step | a [m] | XXX |

| | |
|---------------------------------|----------------|
| PVC grey, 4x0.25mm ² | 21348300481XXX |
| Type of cable | Part no. |

| | | | | | | | |
|---|---|-----------------------------------|----------------------------------|--|--------------------|------------------------|--|
| All rights reserved Department HCS - RO HARTING Customised Solutions D-32339 Espelkamp | All Dimensions in mm Tech. Character. Free size tol. According to production drawing | Created by STOCEVIC Stoceci | Inspected by COSTEA Costea | Standardisation MUNTEANV Muntean | Date 2019-01-11 | State Final Release | Doc-Key / ECM-Nr. 100577978/UGD/009/C 500000145294 |
| | Title M8 Cable Assembly 4-poles an/- f/- Type TB Number 21348300481XXX | Rev. C Page 1/1 | | | | | |

Mouser Electronics

Authorized Distributor

Click to View Pricing, Inventory, Delivery & Lifecycle Information:

HARTING:

[21348300481015](#) [21348300481100](#) [21348300481005](#) [21348300481075](#) [21348300481020](#) [21348300481010](#)
[21348300481050](#) [21348300481060](#) [21348300481040](#)